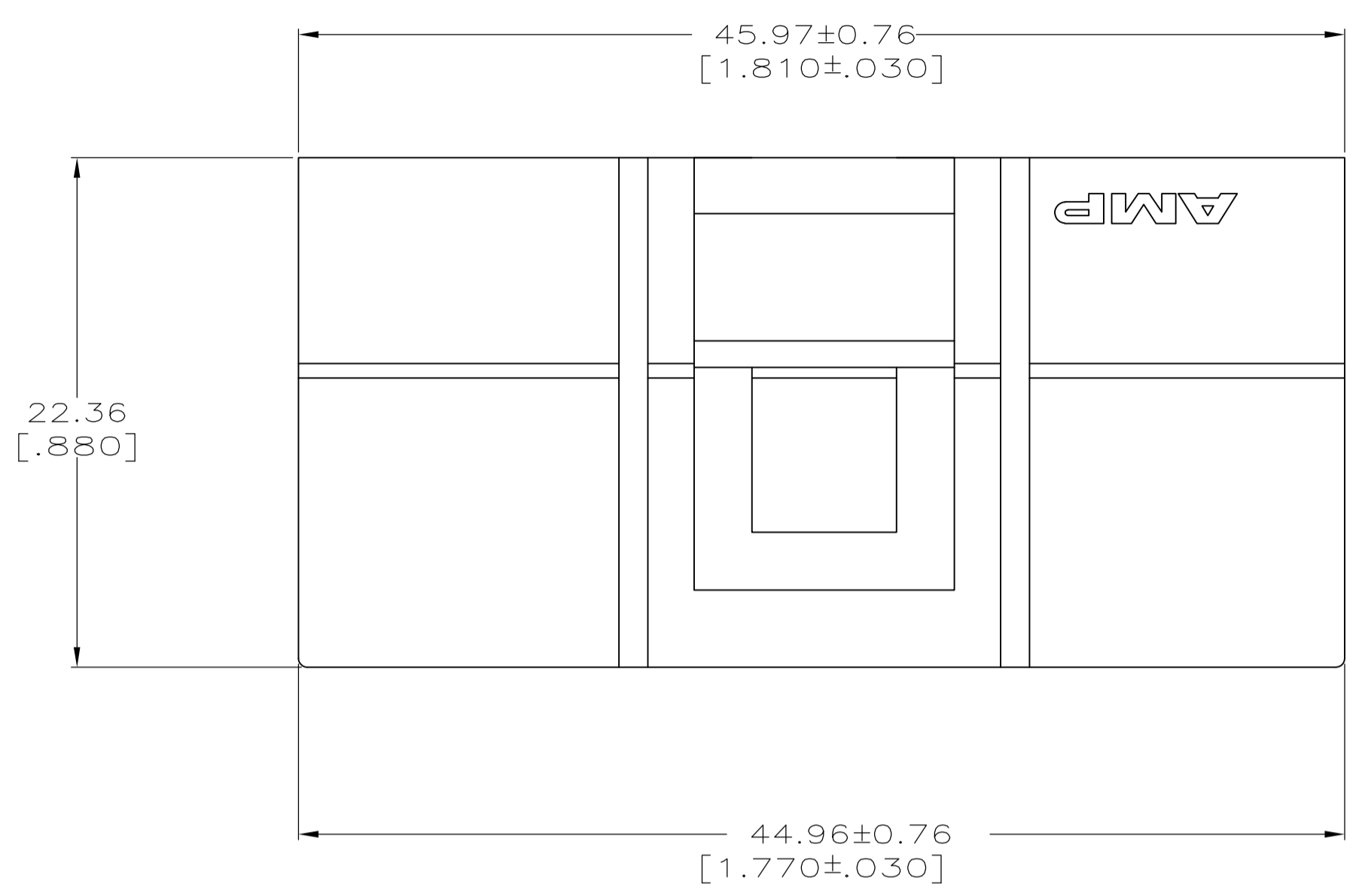
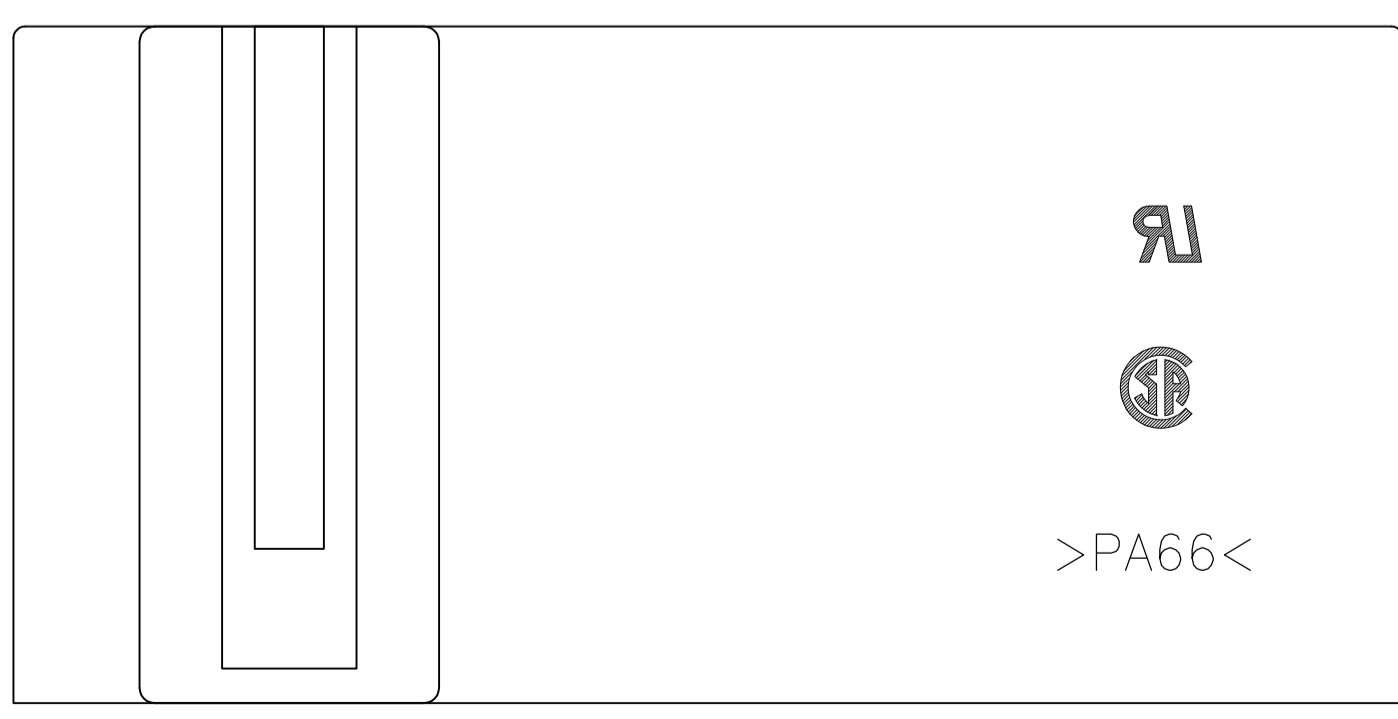
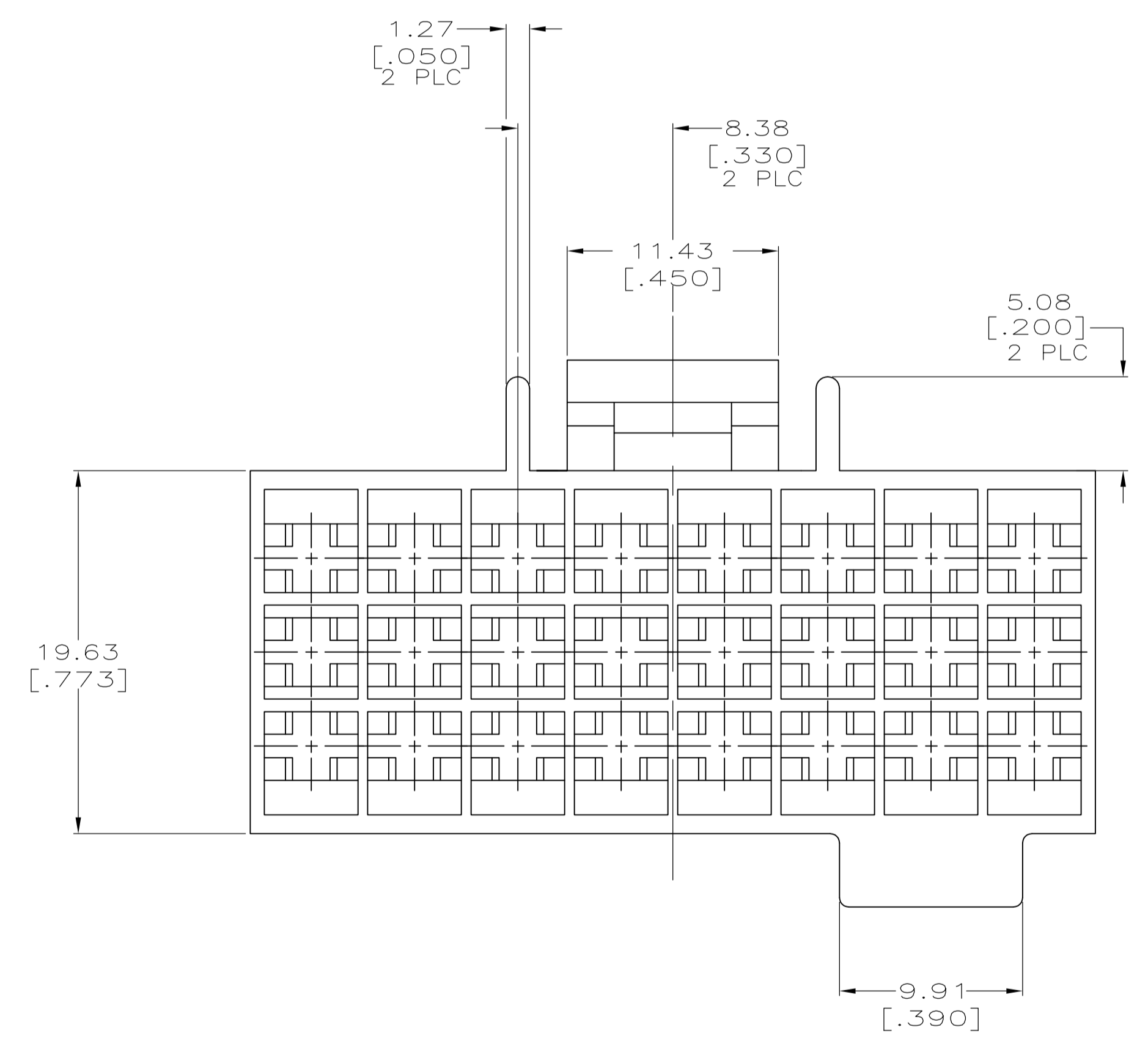
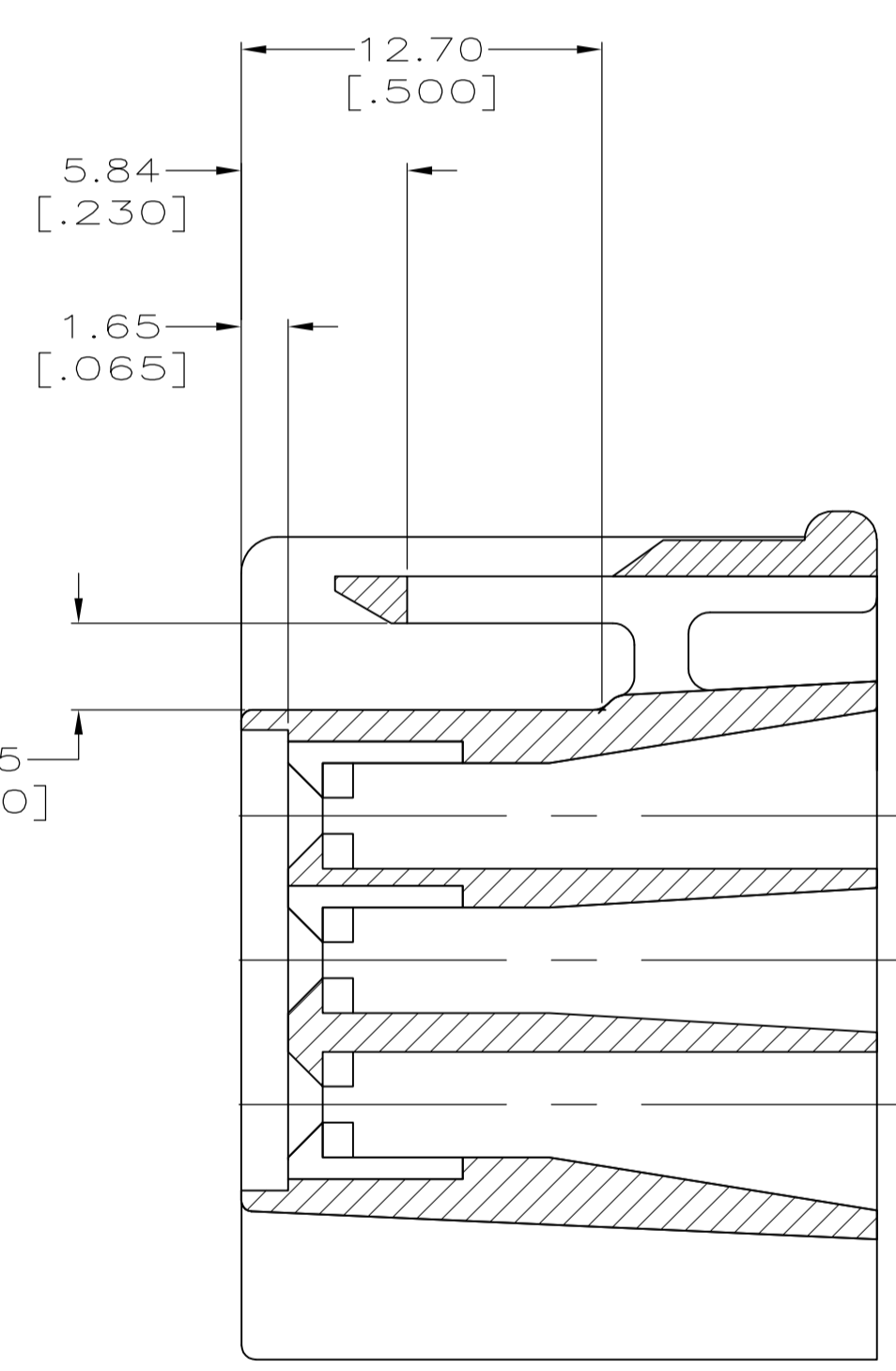
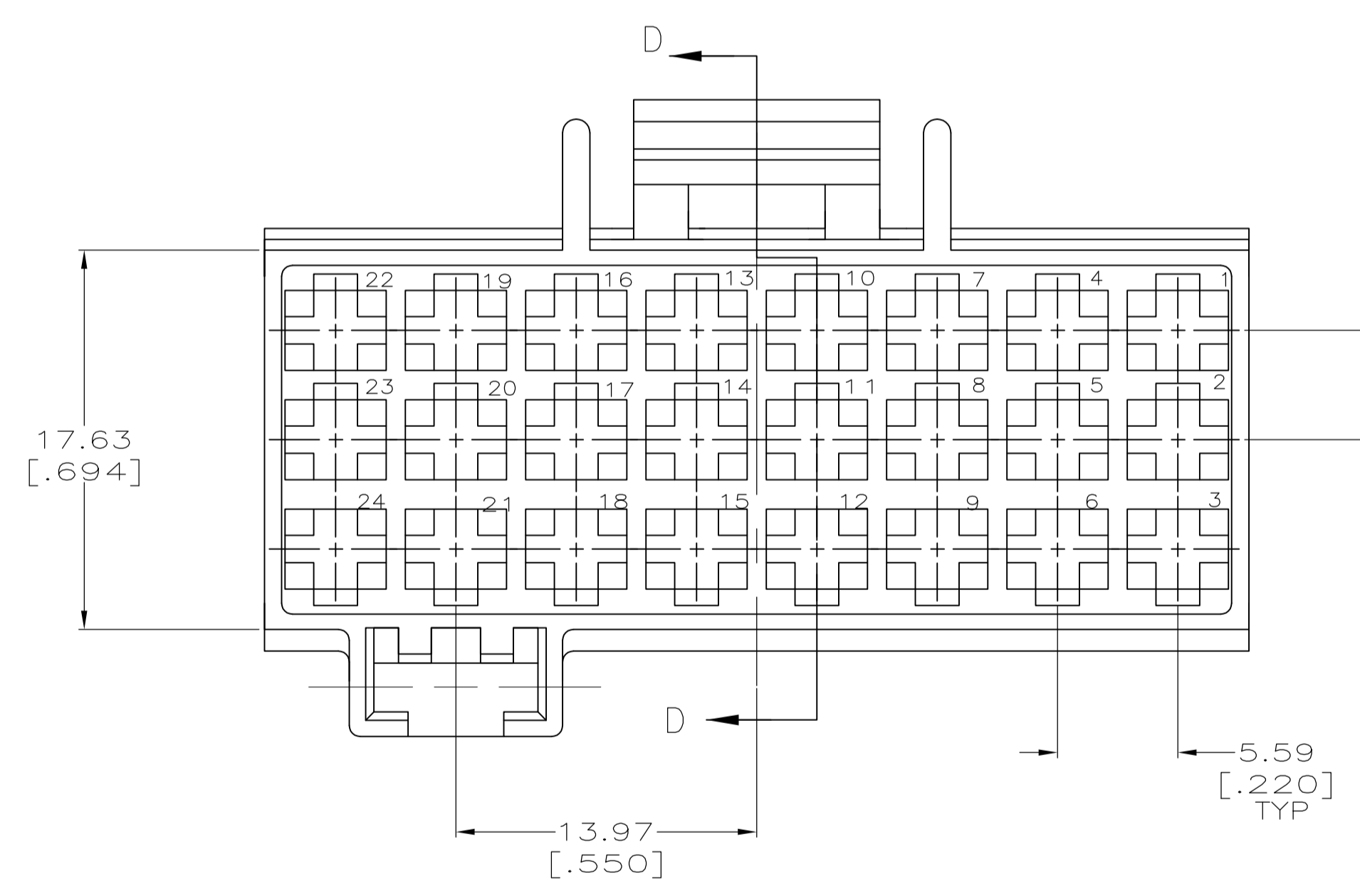


| LOC | | DIST | | REVISIONS | | | |
|-----|-------------|-------------|---------|-----------|------|--|--|
| P | LTR | DESCRIPTION | DATE | DN | APVD | | |
| AF | 50 | | | | | | |
| H | REV PER ECR | 05-003437 | 06SEP05 | JR | DD | | |
| H1 | REV PER ECR | 14-013000 | 01SEP14 | LP | T.D | | |



- 1 HOUSING ACCEPTS (24) 3.18 [.125] BLADE RECEPTACLES AMP P/N 61603-1 OR 61604-1.
- 2 PRELIMINARY - NOT FOR PRODUCTION



| | | |
|----------|---------|------------|
| OBSOLETE | NATURAL | 2 521115-2 |
| OBSOLETE | BLACK | 521115-1 |
| | COLOR | PART NO. |

THIS DRAWING IS A CONTROLLED DOCUMENT.

| | | | | | | | |
|---------------------|--|-----------|-----------|---------------------|--------------------|------------------|------------|
| DIMENSIONS: INCHES | TOLERANCES UNLESS OTHERWISE SPECIFIED: | 0 PLC ± - | 1 PLC ± - | 2 PLC ± 0.25 [.010] | 3 PLC ± - | 4 PLC ± - | ANGLES ± - |
| MATERIAL: NYLON 6/6 | FINISH: SEE TABLE | WEIGHT: - | SIZE: A1 | CAGE CODE: 00779 | DRAWING NO: 521115 | RESTRICTED TO: - | |

CUSTOMER DRAWING SCALE: 4:1 SHEET 1 OF 1 REV H1

tyco Electronics Tyco Electronics Corporation Harrisburg, Pa 17105-3608

PHILLIP M. FORTNEY 10/MAY/96
 CHK MICHAEL S. FEHER 10/MAY/96
 APVD D. DECKER 10/MAY/96
 NAME: HOUSING, 24 POSITION, SIDE LATCHED, TIMER CONNECTOR