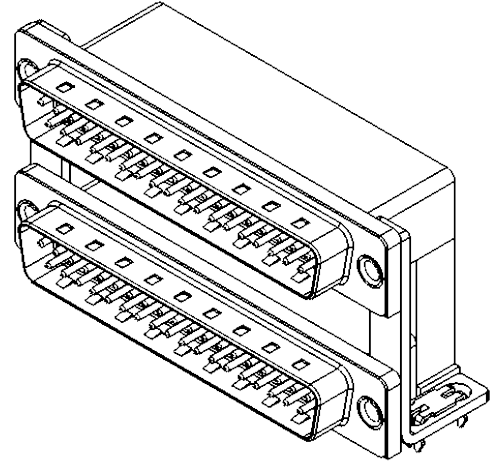
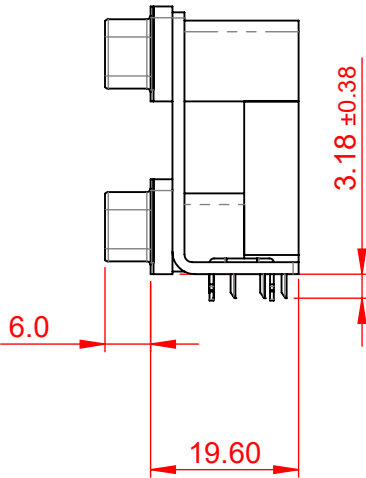
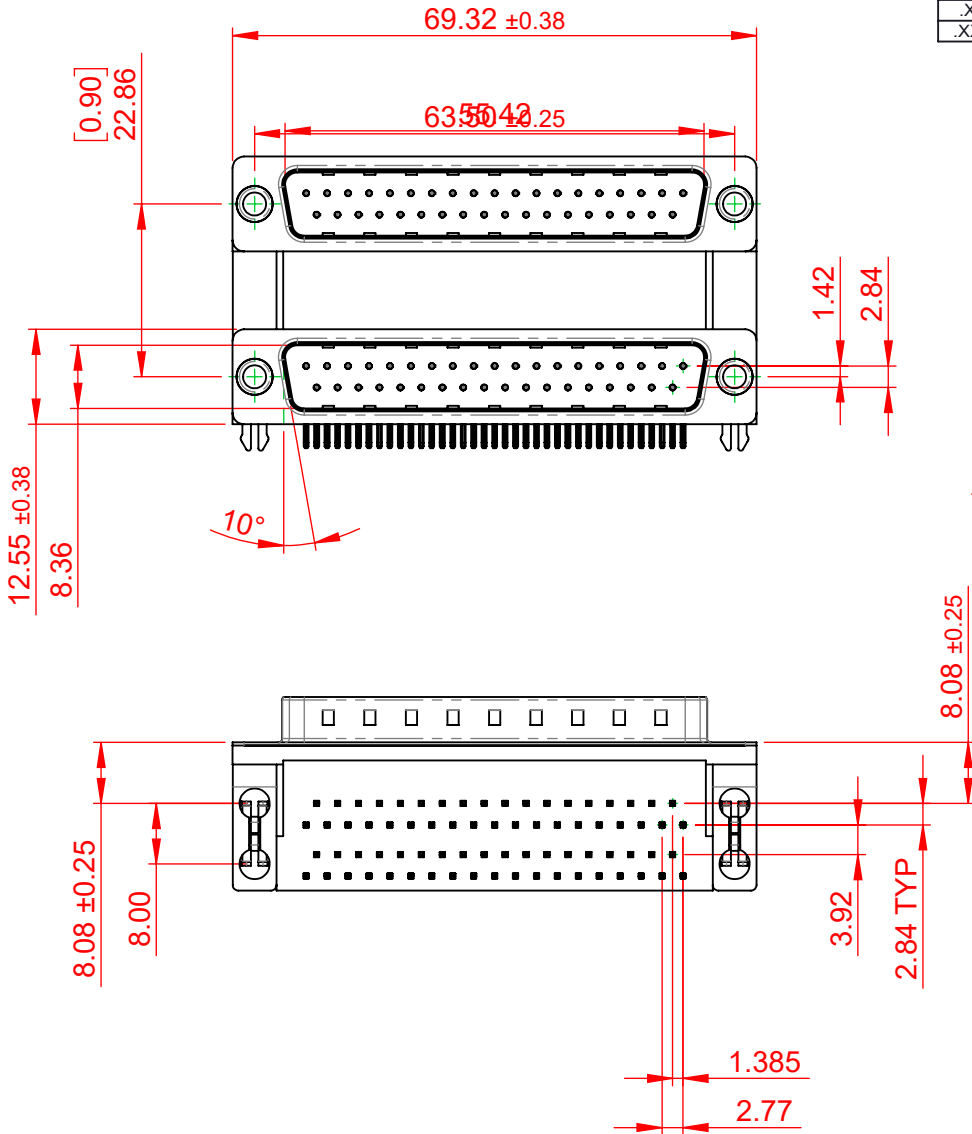


TOLERANCE UNLESS OTHERWISE SPECIFIED	
.X	±0.25
.XX	±0.13
.XXX	±0.10

THIS IS A C.A.D. GENERATED DRAWING
DO NOT MAKE MANUAL REVISIONS TO MASTER.



ISSUE NUMBER
ORIGINAL (1)



- NOTES:**
- MATERIAL:**
 - HOUSING:** THERMOPLASTIC POLYESTER, UL94V-0
BLACK IN COLOUR
 - SHELL:** STEEL, NICKEL PLATED
 - CONTACT:** COPPER ALLOY, 30µ GOLD PLATING
 - OPERATING TEMPERATURE:** -55°C ~ 85°C
 - CURRENT RATING:** 3A PER CONTACT
 - CONTACT RESISTANCE:** 25mΩ MAX.
 - INSULATOR RESISTANCE:** 5000MΩ min.
 - DIELECTRIC**
 - WITHSTANDING VOLTAGE:** 1000V AC rms



THIS SERIES FULLY CONFORMS TO
THE EUROPEAN UNION DIRECTIVES
2011/65/EU FOR RoHS COMPLIANCY.

EDAC
EDAC INC
TORONTO, ONTARIO
CANADA
YOUR CONNECTION TO QUALITY & SERVICE

THESE DRAWINGS AND SPECIFICATIONS
ARE THE PROPERTY OF EDAC INC., AND
SHALL NOT BE REPRODUCED, OR COPIED
OR USED AS THE BASIS FOR THE
MANUFACTURE OR SALE OF APPARATUS
WITHOUT WRITTEN PERMISSION.

661 SERIES D-SUB CONNECTOR

SW REFERENCE NO.: 661 ASSEMBLY	
DRAWN: C.B	DATE: AUG. 01/2018
CHECKED:	DATE:
SCALE: 1:1	SHEET 1 OF 1
DRAWING NUMBER: 661-037-664-036	ISSUE
PART NUMBER: 661-037-664-036	1