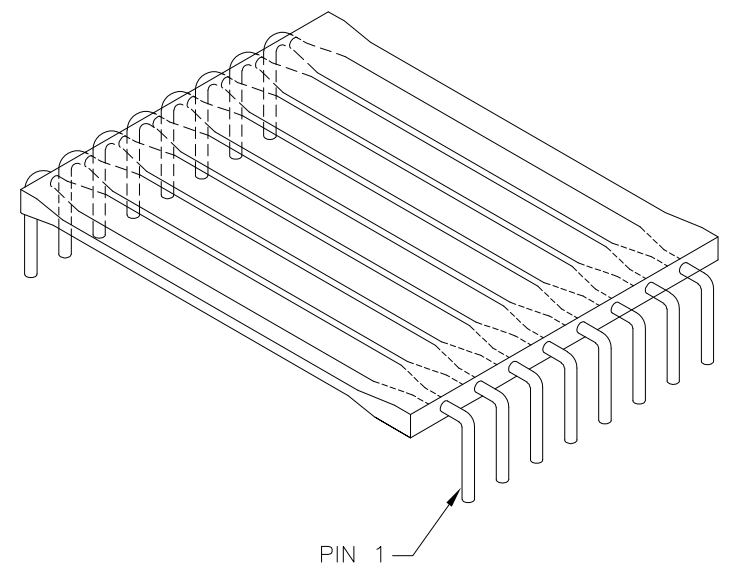


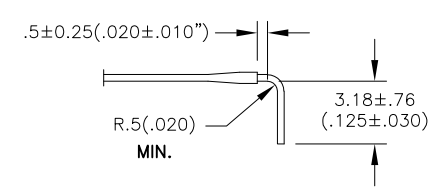
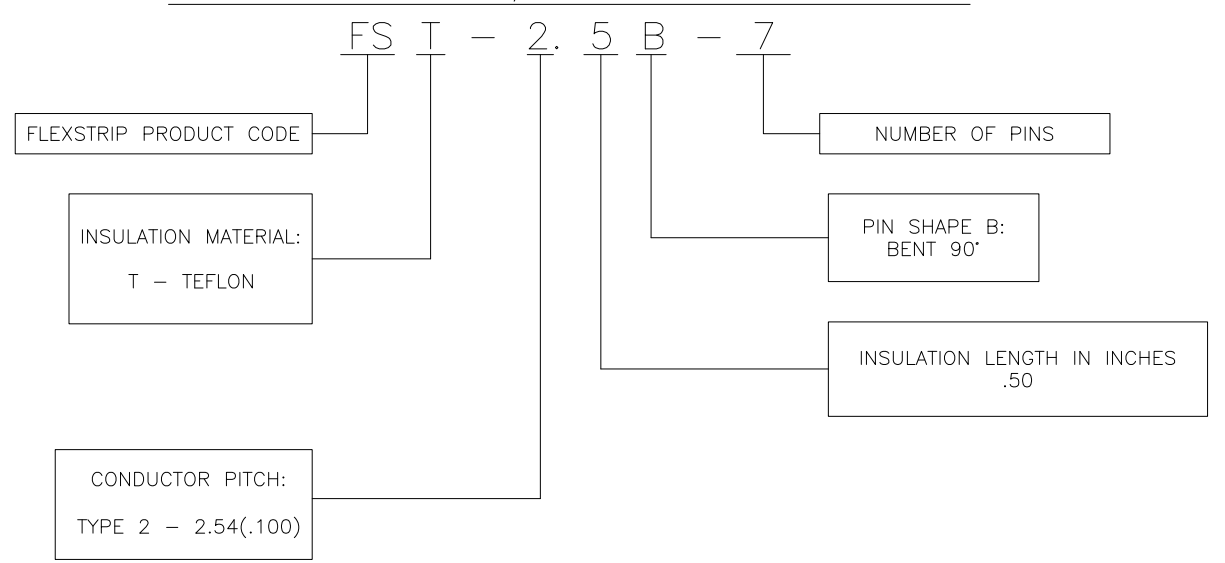
THIS DRAWING IS UNPUBLISHED. RELEASED FOR PUBLICATION
 © COPYRIGHT - By - ALL RIGHTS RESERVED.

LOC	DIST	REVISIONS			
P	LTR	DESCRIPTION	DATE	DWN	APVD
	A	INITIAL DRAWING	19OCT2015	TB	BVH
ORDERING CODE/CATALOGUE NUMBER				TE PN	
FST-2.5B-7				8-1474640-2	

FOR FURTHER DETAILS, REFER TO GENERIC DRAWING 1474339



STANDARD JUMPERS
 ORDERING CODE/CATALOGUE NUMBER



THIS DRAWING IS A CONTROLLED DOCUMENT.		DWN T.BURZYNSKI 12OCT2015	TE Connectivity		
DIMENSIONS: mm		CHK B.VELDHOVEN 12OCT2015			
TOLERANCES UNLESS OTHERWISE SPECIFIED:		APVD A.V.ZANDVOORT 12OCT2015	PRODUCT SPEC		
0 PLC ± - 1 PLC ± - 2 PLC ± - 3 PLC ± - 4 PLC ± - ANGLES ± 1/2°		APPLICATION SPEC		RESTRICTED TO	
MATERIAL		WEIGHT	SIZE A3	CAGE CODE 00779	DRAWING NO C-1474640
FINISH		CUSTOMER DRAWING		SCALE N.T.S.	SHEET 1 OF 1
				REV A	