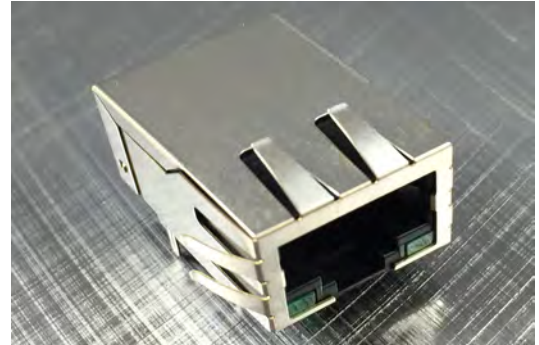




- 10/100/1000 Base-T for Ethernet Applications
- Standard operating temp: 0°C to +70°C
- Transmit open circuit inductance (OCL): 350uH (MIN) @ 100KHz, 0.1Vrms with 8mA DC Bias
- RJ45 jack cavity conforms to FCC rules and regulations Part 68, SUB Part F



Electrical Specifications @ 25°C

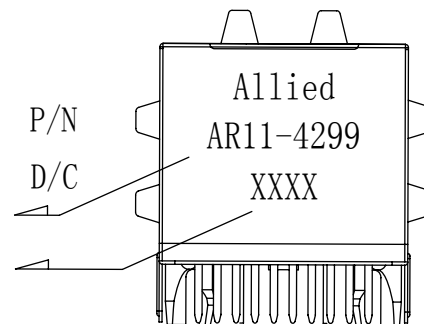
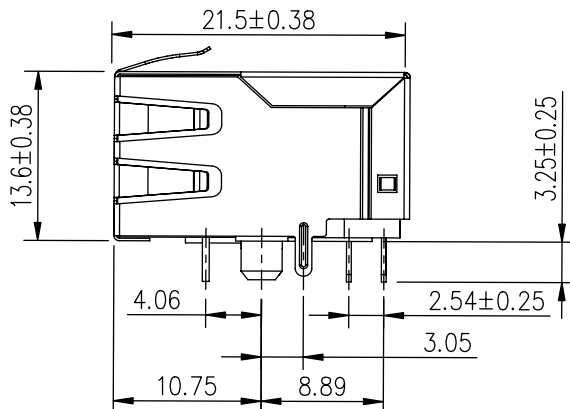
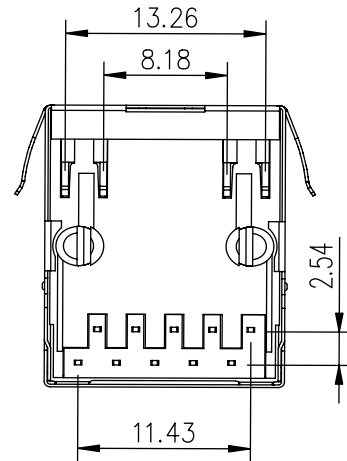
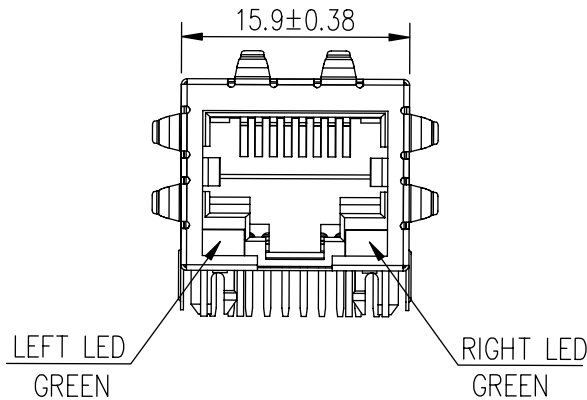
Part Number	OCL(uH Min) @ 100kHz, 0.1V With 8mA DC Bias	Turns Ratio @100kHz, 0.1V				Cross Talk (dB Min) 0.5-10MHz	HI-POT 1.0mA, 60S (V) Input to Output
		P2-P3: J1-J2	P4-P7: J3-J6	P5-P6: J4-J5	P8-P9: J7-J8		
AR11-4299	350	1:1±5%	1:1±5%	1:1±5%	1:1±5%	-50	1500

Electrical Specifications @ 25°C

Insertion Loss (dB Max)		Return Loss (dB Min) @ Load 100 Ohm				CMR (dB Min)
1-100 MHz	100-125 MHz (10/100/100)	1-30MHz	30-60MHz	60-80MHz	80-100MHz	1-100 MHz
-1.0	-1.2	-18	-16	-12	-10	-30

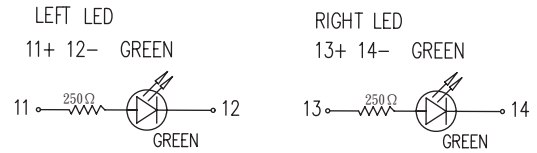
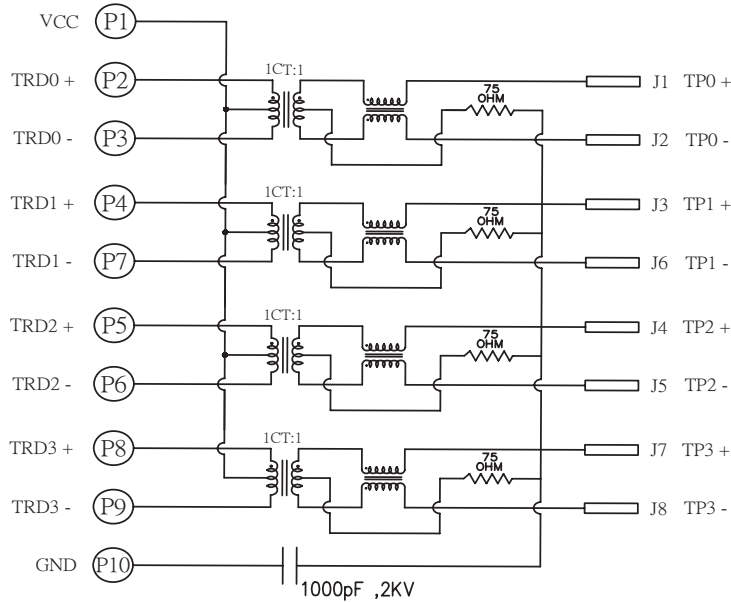
All specifications subject to change without notice.

MECHANICAL



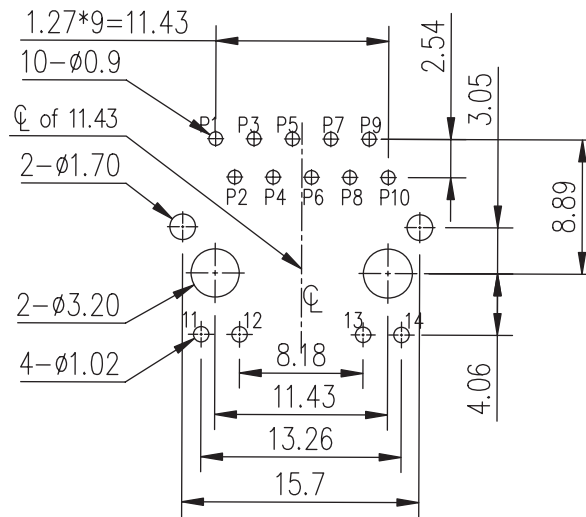


**SCHEMATICS**



STANDARD LED	WAVELENGTH	FORWARD VOLTAGE
GREEN	565nm	2.5V MAX

**PCB LAYOUT**



**NOTES**

- 1.Shielded – 0.20mm THICKNESS BRASS C2680 H. PLATING NICKEL 20u”MIN.
- 2.Housing– Standard Material PA66,Glass Filled Polyester UL94V-0 Standed Color Black.
- 3.Insert Pin– Plastic:PA66 UL94V-0,Standard Color Black. Pin:0.35mm Thickness Phos–Bronze C5210 EH. Plating:Nickel 30u”~60u” for all and Sn 100%, and Gold Plating 6u”.
- 4.Contact Pin– Plastic:PA66 ,Glass Filled,UL94V-0, Standard Color Black. Pin:0.35mm Thickness SUS430. Plating:Nickel 30u”~60u” for all and Sn 100%.