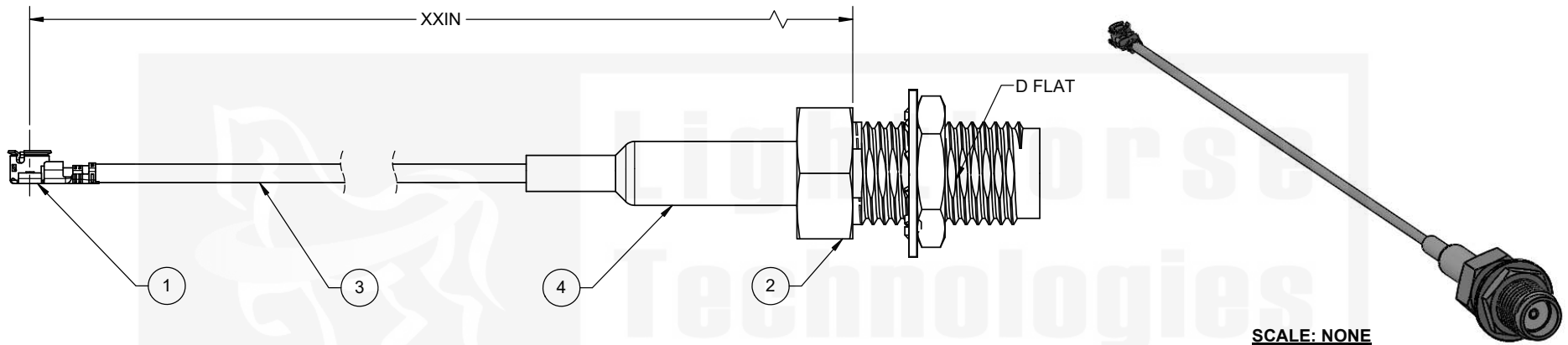


-XX IN THE ENDING OF THE CABLE PART NUMBER IS CALLING OUT THE LENGTH OF THE ASSEMBLY FROM CENTER TO MATING FLANGE OF CONNECTORS. EXAMPLES SHOWN BELOW:

LTI P/N: CB1.17LL-IPX-SAF3GT-4IN (4 INCHES)
 CB1.17LL-IPX -SAF3GT-10IN (10 INCHES)

REVISIONS				
REV	ECR	DESCRIPTION	DRAWN	DATE
1		PRODUCTION RELEASE	M. LARSEN	08/08/2022



ITEM	PART NUMBER	DESCRIPTION	QTY
1	IPXLF11GPB-113	IPX (MHF1), RHT ANGLE, JACK, CABLE CRIMP (I-PEX 20278-112R-13)	1
2	SASF13RGT-316	SMA, STRAIGHT, JACK BLKHD MNT, CABLE CRIMP	1
3	1.17LL MICRO COAX	CABLE, 1.17LL LOW LOSS MICRO COAX, GRAY	AR
4	1635F-1/8"	.125 (1/8) DIA, .75 LENGTH, GREEN	1

IPX® AND MHF® ARE REGISTERED TRADEMARKS OF I-PEX CO., LTD. CORPORATION

DO NOT SCALE DRAWING			Lighthouse Technologies San Diego, CA WWW.RFCONNECTOR.COM	
TOLERANCES UNLESS OTHERWISE SPECIFIED DIMENSIONS ARE IN MILLIMETERS X = ±0.5 XX = ±0.25 XXX = ±0.13 ANGLE = ±30°			TITLE: CABLE ASSEMBLY, IPX (MHF1), R/A JACK, CRIMP TO SMA, JACK, BLKHD MNT CRIMP, USING 1.17LL (LOW LOSS) MICRO COAX, GRAY	
THIRD ANGLE PROJECTION				
CUSTOMER APPROVAL SIGN / DATE:		SIZE: B	PART/DWG. NO.: CB1.17LL-IPX-SAF3GT-xxIN	REV: A
ENG APPR. P. BURDGE CHECKED M. HELD	08/08/2022 08/08/2022	SCALE: 4:1		FILE NAME
DRAWN M. LARSEN NAME	08/08/2022 DATE			SHEET 1 OF 1

PROPRIETARY AND CONFIDENTIAL

UNLESS OTHERWISE SPECIFIED, THIS DOCUMENT CONTAINS LIGHORSE TECHNOLOGIES INFORMATION. REPRODUCTION, USE, DISCLOSURE OR TRANSMITTAL OF ALL OR ANY PART OF THIS DOCUMENT IS PROHIBITED EXCEPT TO THE EXTENT APPROVED IN WRITING BY AN AUTHORIZED REPRESENTATIVE OF LIGHORSE TECHNOLOGIES. LIGHORSE TECHNOLOGIES RESERVES ALL RIGHTS UNDER PATENTS, TRADEMARKS, COPYRIGHTS AND TRADE SECRETS. COPY RIGHTS OF LIGHORSE TECHNOLOGIES 2011, ALL RIGHTS RESERVED.

