

CKG57NX7T2J684M500JH

TDK item description : CKG57NX7T2J684MT****

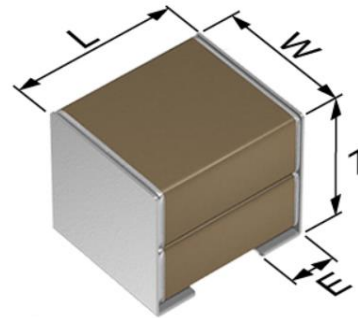


Application & Main Feature

Commercial grade (MEGACAP)

Series

CKG57N(5750) [EIA 2220]



Dimensions

L 6.00±0.50 mm
W 5.00±0.50 mm
T 5.00±0.50 mm
E 1.60±0.30 mm

Temperature Characteristic

X7T (-55 to +125 degC, +22/-33%)

Rated Voltage

2J (630Vdc)

Capacitance

680nF

Capacitance Tolerance

M (±20%)

DF

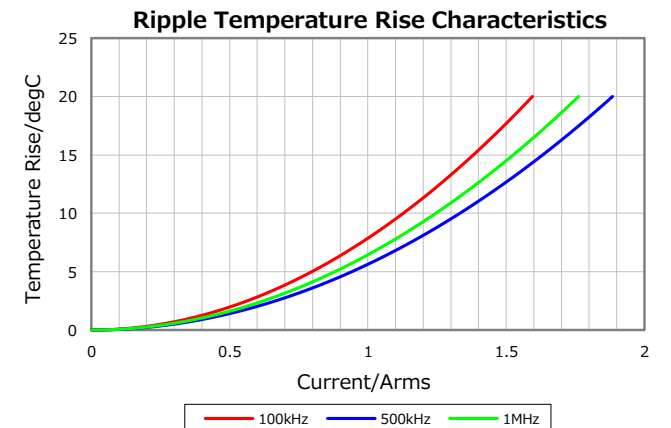
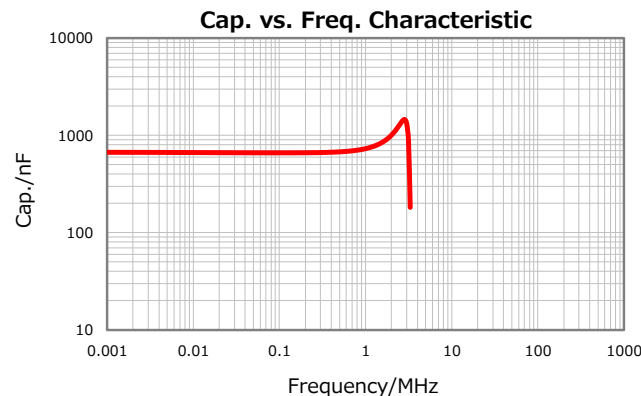
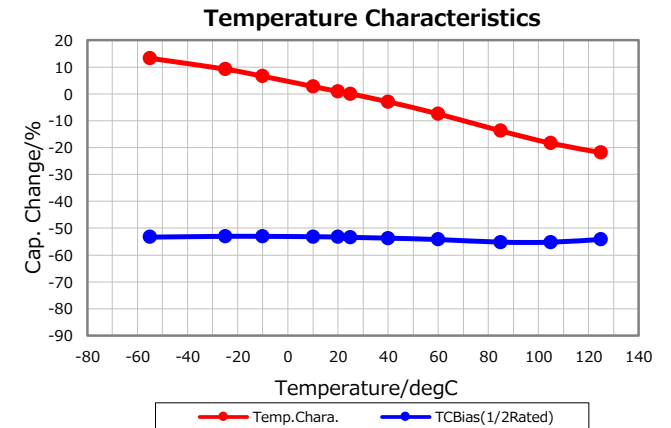
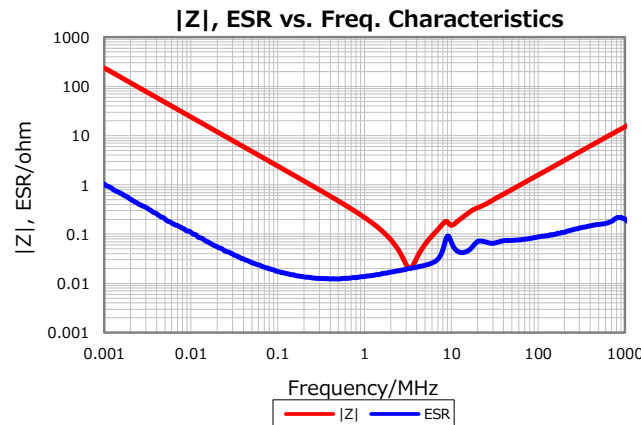
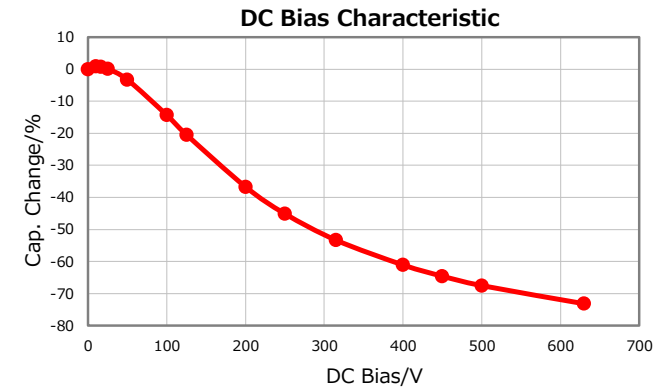
2.5 % max.

Insulation Resistance

735 Mohm min.

AEC-Q200

Not Applicable



Characterization Sheet (Multilayer Ceramic Chip Capacitors)



⚠ All specifications are subject to change without notice.

February 1, 2022