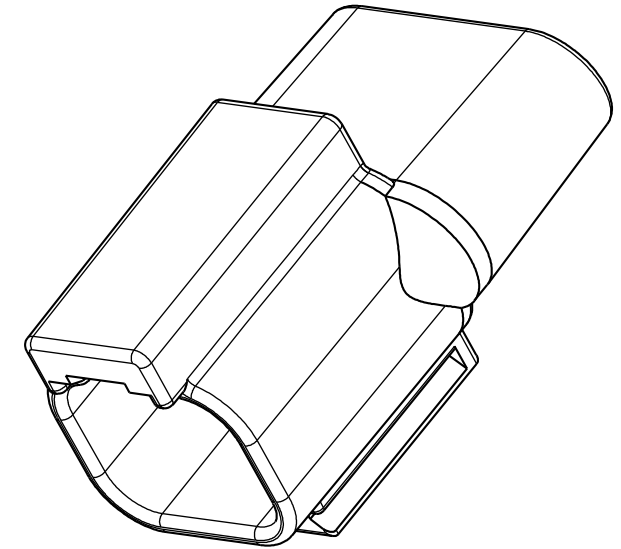
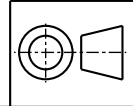
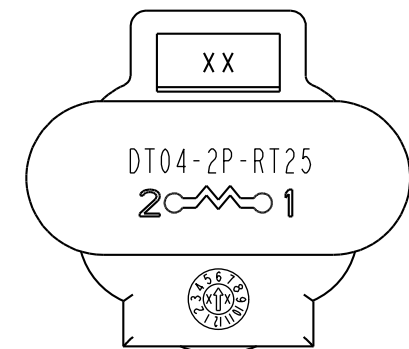
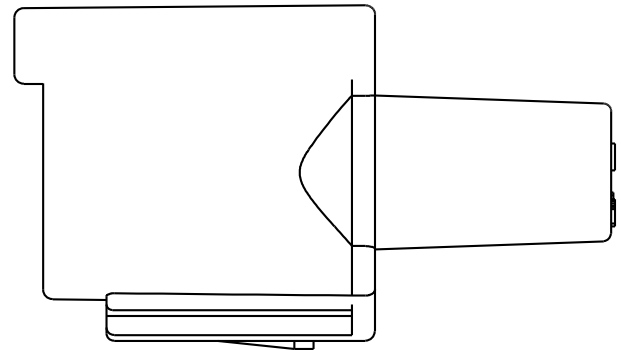
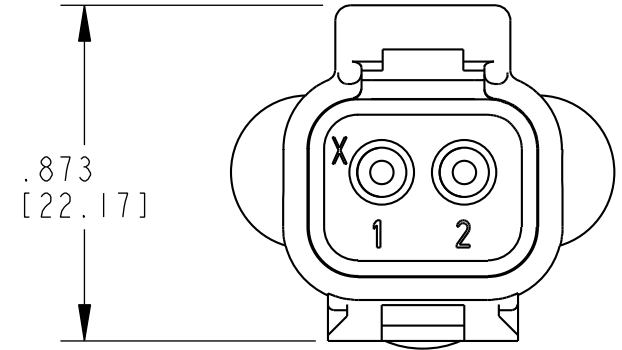
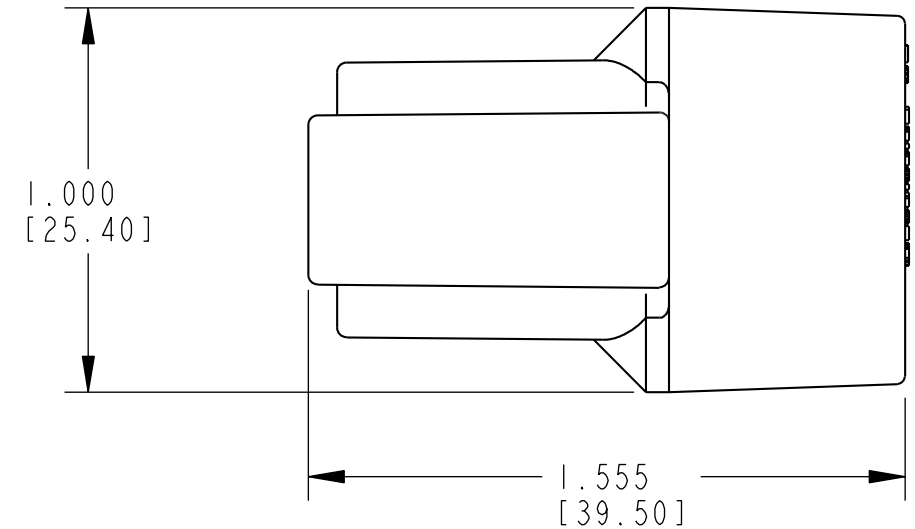


REV
B DT04-2P-RT25

REVISIONS			
SYM	DESCRIPTION	DATE	APPROVED
NC	NEW RELEASE PER E.O. PI8171	5/28/03	RDR
A	REVISION PER E.O. PI9162	3/15/06	RDR
B	REVISED PER ECO-13-004414	3/11/13	D.M.



3D VIEW




- NOTES:
1. ALL DIMENSIONS ARE IN INCHES [MILLIMETERS].
 2. DIMENSION TOLERANCE $\pm .025$ [.64].
 3. RECEPTACLE MATES WITH DT06-2S-****. (****) = ALL MODIFICATIONS.
 4. TEMPERATURE RANGE: -55°C TO +125°C.
 5. SHELL MATERIAL: PLASTIC; COLOR: BLACK
 6. RESISTOR 27k OHMS 1/2 WATT 1% TOLERANCE.

SIGNATURE & DATE	
DR	P. BURKE 05/23/03
CHK	K. McKEE 3/11/13
PE	K. McKEE 3/11/13
APPD	D. MEYER 3/11/13
SCALE	NONE
WT	_____

**2 WAY RECEPTACLE
 1/2 WATT 1% TOLERANCE
 27k OHM RESISTOR
 DT SERIES**

ENVELOPE

EP	MATL. CODE
 3850 INDUSTRIAL AVE. HEMET, CA 92545	
B	DT04-2P-RT25
DWG SIZE	CODE 11139 SHEET OF