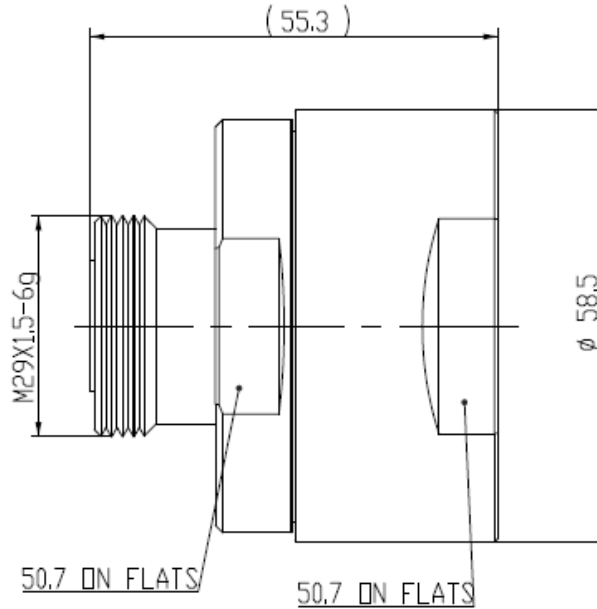


NOTICE OF PROPRIETARY RIGHTS THIS DOCUMENT CONTAINS CONFIDENTIAL TECHNICAL DATA, INCLUDING TRADE SECRETS, PROPRIETARY TO TIMES MICROWAVE SYSTEMS. DISCLOSURE OF THIS DATA IS EXPRESSLY CONDITIONED UPON YOUR ASSENT THAT ITS USE IS LIMITED TO USE WITHIN YOUR COMPANY ONLY. ANY OTHER USE IS STRICTLY PROHIBITED WITHOUT THE PRIOR WRITTEN CONSENT OF TIMES MICROWAVE SYSTEMS.

SYM	REVISION DESCRIPTION	DFTM	DATE	APPD	DATE
-	RELEASED FOR PRODUCTION	J. C. L.	3/4/96	J. C. L.	3/4/96
A	CHANGED PER CDC #45286	N. N. N.	11/10/16	J. D. B.	1/3/17



Reference standard IEC60169-4

I. Electric Performance
 Nominal Impedance(Ω): 50 ± 2
 Frequency Range: DC-3GHz
 VSWR: ≤ 1.35
 Insert Loss(dB): $\leq 0.1(3G)$
 Insulation resistance ($M\Omega$): ≥ 10000
 Proof voltage (V): 4000
 Conductor resistance (m Ω):
 outer conductor < 0.2
 inner conductor < 0.8

II. Mechanical Performance
 Retention: $\geq 88N$
 Mating cycles: 500
 Tensile force(cable-connector): 1500N

III. Material and plating:

Component	Material	Plating
Inner conductor	Spring Bronze	Ag $5\mu m$
Outer conductor	Brass	Copper-tin-zinc $2\mu m$
O-ring	Silicone rubber	
Insulator	PTFE	

IV. Environment
 Temp.range: $-40^{\circ}C \sim +85^{\circ}C$
 Weather standard: IEC 60068 40 / 085/ 21
 Thermal shock: US MIL-STD 202,Meth.107,Cond.B
 Vibration: US MIL-STD 202,Meth.204,Cond.B
 Shock: US MIL-STD 202,Meth.213,Cond.I

V. Assembly: inner and outer conductor installed

VI. ROHS Compliant.

MATERIAL:	UNLESS OTHERWISE SPECIFIED	DFTM. J. C. L.	TIMES MICROWAVE SYSTEMS				
	ALL DIMENSIONS ARE IN mm MACHINED SURFACES FINISH N/A RMS MAX. REMOVE ALL BURRS N/A MAX. BREAK MACHINE CORNERS N/A MAX. FILLET R. TOLERANCES ON DECIMALS . XX \pm N/A . XXX \pm N/A ANGLES $\pm 1^{\circ}$ FRACTIONS \pm N/A	DATE 3/4/96					
USED ON: O-O		CHKD. J. C. L.	EZ-1700-716FC 7/16 DIN FEMALE CLAMP				
		DATE 3/4/96					
SCALE: N/A	DWG. SIZE A	DO NOT SCALE DRAWING	CODE IDENT 68999	DATE 3/4/96	SHEET 1 of 1	SD3190-388	REV. A