



### Main

Range of Product	Harmony GTU
Product or Component Type	Flat screen
Terminal type	Touchscreen display
[Us] rated supply voltage	12...24 V DC power supply
Supply voltage limits	10.8...28.8 V
Power Consumption in W	23 W
Inrush current	30 A

### Complementary

Integrated connection type	USB 2.0 type A USB 2.0 type mini B
Communication port protocol	WLAN 2.4 GHz
Bandwidth	20 MHz
Operating Mode	Infrastructure
Transmission rate	<= 11 Mbit/s IEEE 802.11b <= 54 Mbit/s IEEE 802.11g <= 72.2 Mbit/s IEEE 802.11n
Maximum sensing distance	98.43 ft (30 m) depending on surrounding environment
Touchscreen resolution	1024 x 1024
Display size	12.1 inch
Aspect ratio	4:3
Display type	Colour TFT LCD
Display Resolution	1024 x 768 pixels XGA
Display colour	16 million colours
Backlight lifespan	50000 hours
Touch panel	Multi touch analogue resistive
Method of access	Client mode 1...11, North America Client mode 1...13, Japan Client mode 1...13, Europe Client mode 1...13, Korea Client mode 1...13, China Client mode 1...11, Taiwan Access point mode 1...11
Encryption Protocol	WEP 128 AES (Advanced Encryption Standard) TKIP
Type of License	10 clients
Function Available	Brightness sensor
Type of cooling	Natural convection
Type of Installation	Indoor installation
Cut-out dimensions	301.5 (+ 1/- 0) x 227.5 (+ 1/- 0) mm
Width	12.40 in (315 mm)
Height	9.49 in (241 mm)
Depth	2.64 in (67 mm)
Net Weight	6.61 lb(US) (3 kg)

The information provided in this documentation contains general descriptions and/or technical characteristics of the performance of the products contained herein. This documentation is not intended as a substitute for and is not to be used for determining suitability or reliability of these products for specific user applications. It is the duty of any such user or integrator to perform the appropriate and complete risk analysis, evaluation and testing of the products with respect to the relevant specific application or use thereof. Neither Schneider Electric Industries SAS nor any of its affiliates or subsidiaries shall be responsible or liable for misuse of the information contained herein.

## Environment

IP degree of protection	Front panel IP66 Front panel IP67
NEMA degree of protection	NEMA 4X front panel
Standards	UL 508 ANSI/ISA 12-12-01 Class I division 2 CSA C22.2 No 213 CSA C22.2 No 142 IEC 61132-2
Product certifications	CE CULus KC RCM
Ambient air temperature for operation	32...140 °F (0...60 °C) EN 61131-2
Ambient air temperature for storage	-4...140 °F (-20...60 °C)
Relative Humidity	10...90 % non-condensing
Operating altitude	6561.68 ft (2000 m)
Vibration resistance	3.5 mm constant amplitude 5...9 Hz) EN/IEC 61131-2 9.8 m/s <sup>2</sup> 9...150 Hz) EN/IEC 61131-2
Shock resistance	147 m/s <sup>2</sup> EN/IEC 61131-2
Electromagnetic compatibility	Electrostatic discharge immunity testlevel 3 EN/IEC 61000-4-2

## Ordering and shipping details

Category	22567-MAGELIS HMI GTU
Discount Schedule	MC2
GTIN	3606480687235
Nbr. of units in pkg.	1
Package weight(Lbs)	10.58 lb(US) (4.8 kg)
Returnability	No
Country of origin	CN

## Packing Units

Unit Type of Package 1	PCE
Package 1 Height	7.32 in (186.0 mm)
Package 1 width	12.99 in (330.0 mm)
Package 1 Length	16.93 in (430.0 mm)
Unit Type of Package 2	CAR
Number of Units in Package 2	2
Package 2 Weight	21.61 lb(US) (9.8 kg)
Package 2 Height	15.75 in (40.0 cm)
Package 2 width	13.39 in (34.0 cm)
Package 2 Length	17.32 in (44.0 cm)
Unit Type of Package 3	P06
Number of Units in Package 3	8
Package 3 Weight	57.32 lb(US) (26.0 kg)
Package 3 Height	35.79 in (90.9 cm)
Package 3 width	23.62 in (60.0 cm)
Package 3 Length	31.50 in (80.0 cm)

## Offer Sustainability

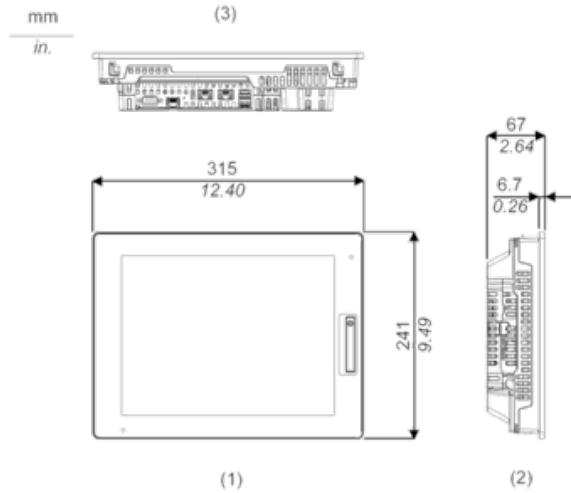
Sustainable offer status	Green Premium product
California proposition 65	WARNING: This product can expose you to chemicals including: Lead and lead compounds, which is known to the State of California to cause cancer and birth defects or other reproductive harm. For more information go to <a href="http://www.P65Warnings.ca.gov">www.P65Warnings.ca.gov</a>
RECh Regulation	<a href="#">RECh Declaration</a>
RECh free of SVHC	Yes
EU RoHS Directive	Pro-active compliance (Product out of EU RoHS legal scope) <a href="#">EU RoHS Declaration</a>
Mercury free	Yes
RoHS exemption information	<a href="#">Yes</a>
China RoHS Regulation	<a href="#">China RoHS Declaration</a>
WEEE	The product must be disposed on European Union markets following specific waste collection and never end up in rubbish bins.

## Contractual warranty

Warranty	18 months
----------	-----------

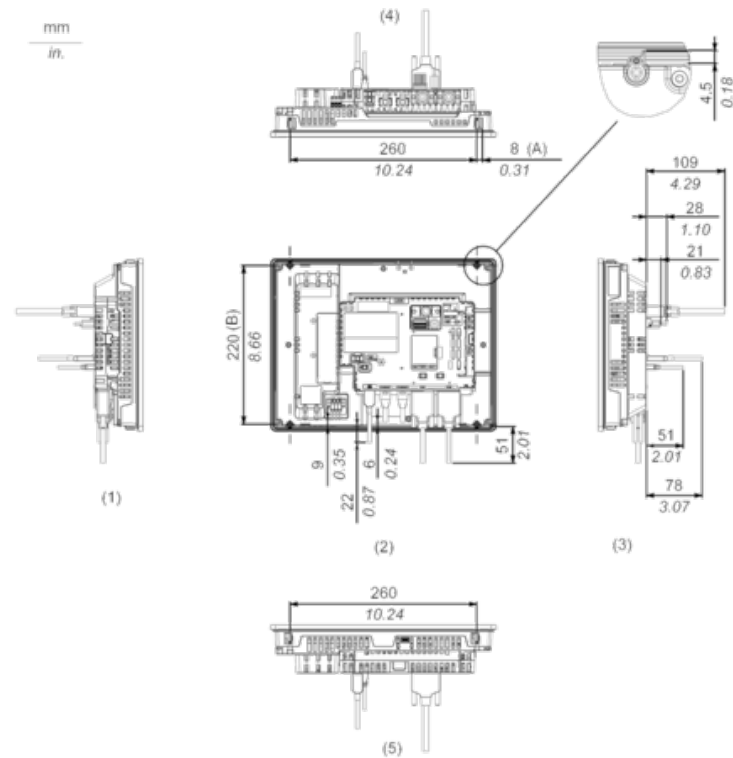
External Dimensions

Display Unit with Box Module



- 1 Front
- 2 Left
- 3 Bottom

Installation with Installation Fasteners and Dimensions with Cables



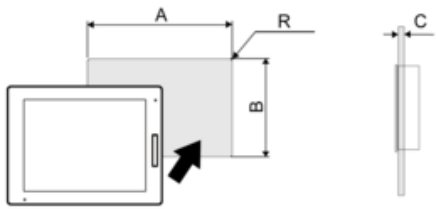
- (A) Rotation area of the fastener
- (B) Pitch of the center of installation fastner screws

- 1 Right
- 2 Front
- 3 Left
- 4 Bottom



Mounting

Panel Cut Dimensions



Dimensions in mm

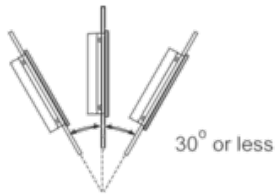
A	B	C	R
301.5 (+1/-0)	227.5 (+1/-0)	1.6...5	3 max.

Dimensions in in.

A	B	C	R
11.87 (+0.04/-0)	8.96 (+0.04/-0)	0.06...0.2	0.12 max.

Installation Requirements

Mounting Angle



When installing this product in a slanted position with an incline more than 30°, the ambient temperature must not exceed 40 °C (104 °F). You may need to use forced air cooling (fan, A/C) to ensure the ambient operating temperature is 40 °C or less (104 °F or less).

Clearance

