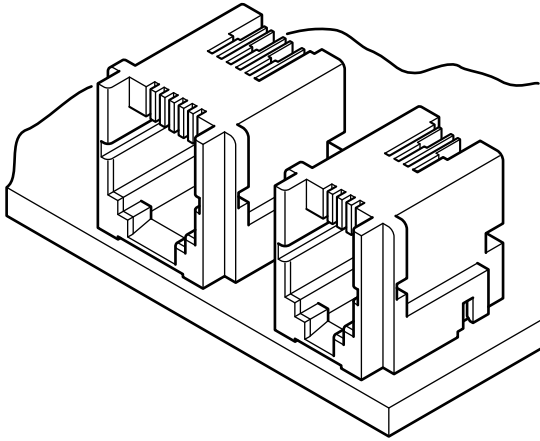


MJ CONNECTOR

Modular jack connectors



- Upper contact point (Normal type)
- Metal hook
- Shielding effect
- Grounding
- Correspond to high-speed LAN transmission (MJ-88U-SD315K-T)

Specifications

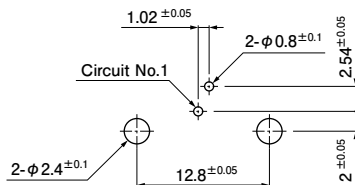
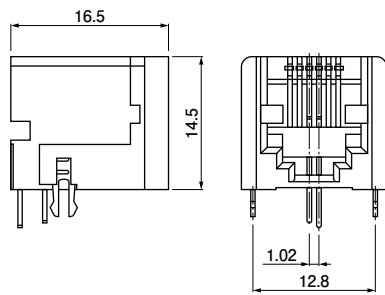
- Current rating: 1.3 A AC/DC
 - Voltage rating: 250 V AC/DC
 - Temperature range: -40°C to $+80^{\circ}\text{C}$
(including temperature rise in applying electrical current)
 - Contact resistance: Initial value/ 20 m Ω max.
After environmental tests/ 40 m Ω max.
 - Insulation resistance: 1,000 M Ω min.
 - Withstanding voltage: 1,000 VAC/minute
 - Applicable PC board thickness: 1.6 mm
2.4 mm (8 circuits straight type)
- * In using the products, refer to "Handling Precautions for Terminals and Connectors" described on our website (Technical documents of Product information page).
- * RoHS2 compliance
- * Dimensional unit: mm
- * Contact JST for details.

Standards

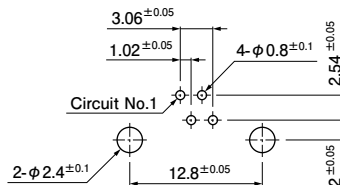
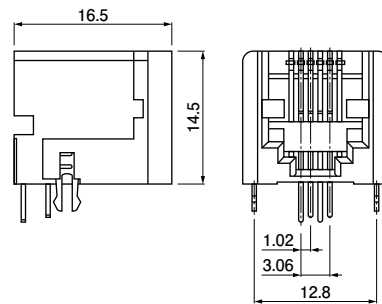
- ☑ Recognized E174260
- ☑ Certified LR20812
- Conforms to FCC Standard
(6 circuits and 8 circuits MJ connector)

Connector and PC board layout

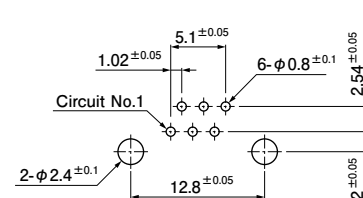
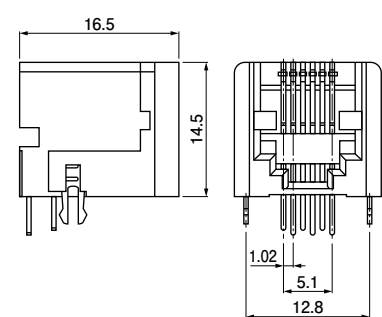
Normal type
2/6 type



4/6 type



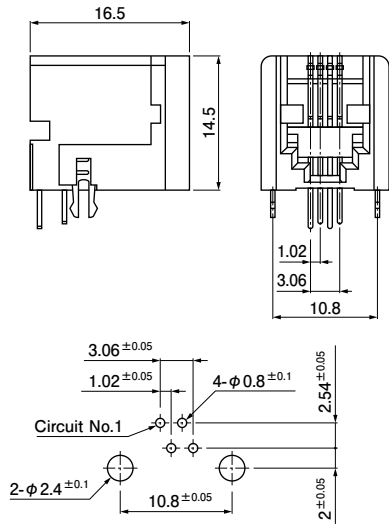
6/6 type



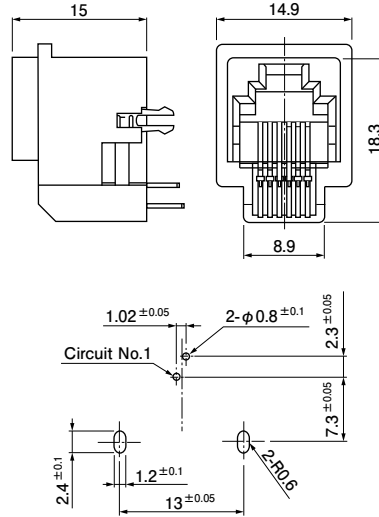
- Note: 1. The above figure is the figure viewed from the connector mounting side.
2. Tolerances are non-cumulative: ± 0.05 mm for all centers.
3. Hole dimensions differ according to the type of PC board and piercing method.
The dimensions above should serve as a guideline. Contact JST for details.

Connector and PC board layout

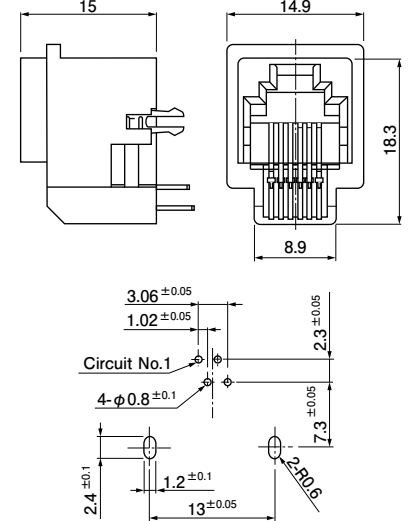
Normal type
4/4 type



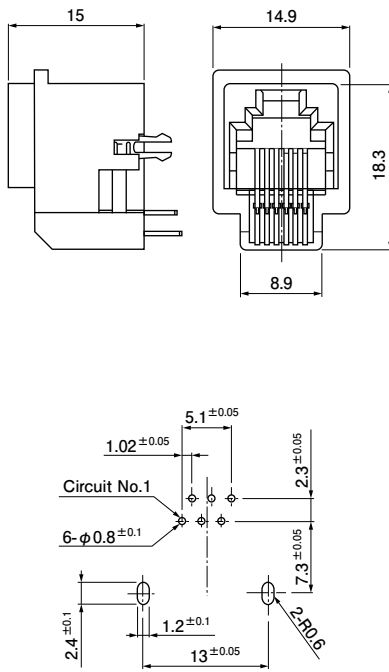
Straight type
2/6 type



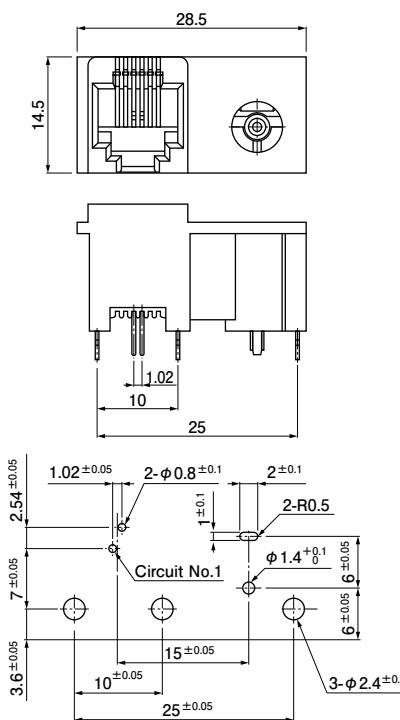
4/6 type



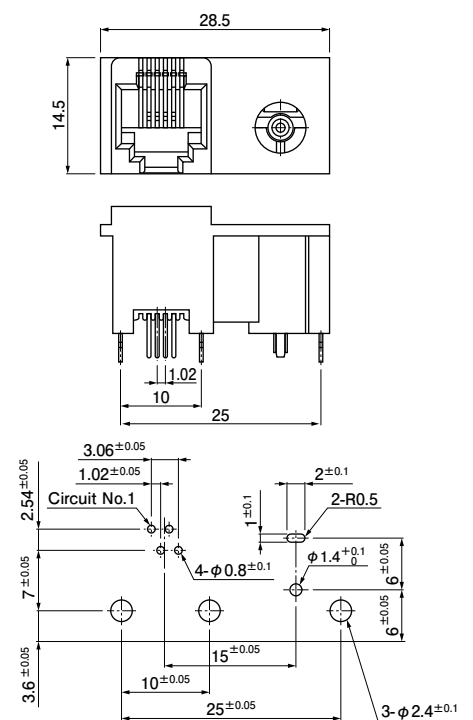
Straight type
6/6 type



2/6 type with DC jack



4/6 type with DC jack



Type		No. of circuits	Model No.	Q'ty/box
Normal type	2/6	2	MJ-62J-RD315	270
	4/6	4	MJ-64J-RD315	270
	6/6	6	MJ-66J-RD315	270
	4/4	4	MJ-44J-RD315	306
Straight type	2/6	2	MJ-62C-SD335	180
	4/6	4	MJ-64C-SD335	180
	6/6	6	MJ-66C-SD335	180
	2/6 with DC jack	2	MJ-62D-SD335	108
	4/6 with DC jack	4	MJ-64D-SD335	108

RoHS2 compliance Normal type displays (LF)(SN) on a label.
The product with DC jack displays (LF) on a label.

Material and Finish

Contact: Normal type/ Phosphor bronze, nickel-undercoated,
Mating part: gold-plated 1.27 μm min.
Solder tail: tin-plated (reflow treatment)

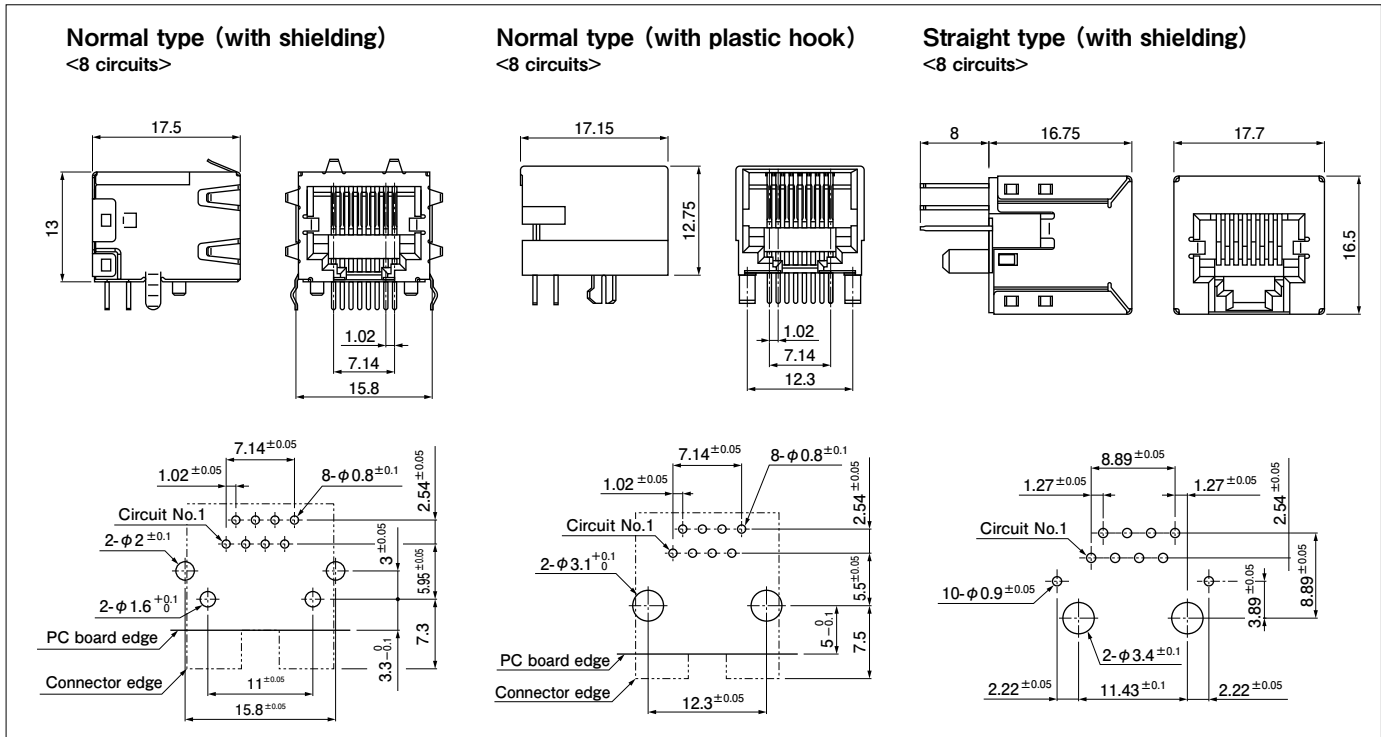
Straight type/ Phosphor bronze, nickel-undercoated,
Mating part: gold-plated 1.27 μm min.
Overall: gold-plated (flash)

Housing: Glass-filled PBT, UL94V-0
Hook pin: Brass, tin-plated (reflow treatment)
Moving contact (spring): Copper alloy, tin-plated (reflow treatment) [with-DC-jack type only]
Stationary contact (pin): Brass, nickel-undercoated, tin/copper alloy-plated [with-DC-jack type only]

- Note: 1. The above figure is the figure viewed from the connector mounting side.
2. Tolerances are non-cumulative: ± 0.05 mm for all centers.
3. Hole dimensions differ according to the type of PC board and piercing method.
The dimensions above should serve as a guideline. Contact JST for details.

MJ CONNECTOR

Connector and PC board layout



Type	No. of circuits	Model No.	Q'ty/box
Normal type (with shielding)	8	MJ-88H-RD315K	520
Normal type (with plastic hook)	8	MJ-88R-RD315K	520
Straight type (with shielding)	8	MJ-88U-SD315K-T	144

Material and Finish

Contact: Phosphor bronze, nickel-undercoated, Mating part: gold-plated 1.27 μ m min.
Solder tail: tin-plated (reflow treatment)

Housing: Glass-filled PBT, UL94V-0 (Normal type)
Glass-filled LCP, UL94V-0 (Straight type)

Shield cover: Phosphor bronze, tin-plated (reflow treatment) [Normal type, Straight type]
Shield pin: Phosphor bronze, copper-undercoated, tin-plated (reflow treatment) [Straight type]

RoHS2 compliance This product displays (LF)(SN) on a label.

Note: 1. The above figure is the figure viewed from the connector mounting side.

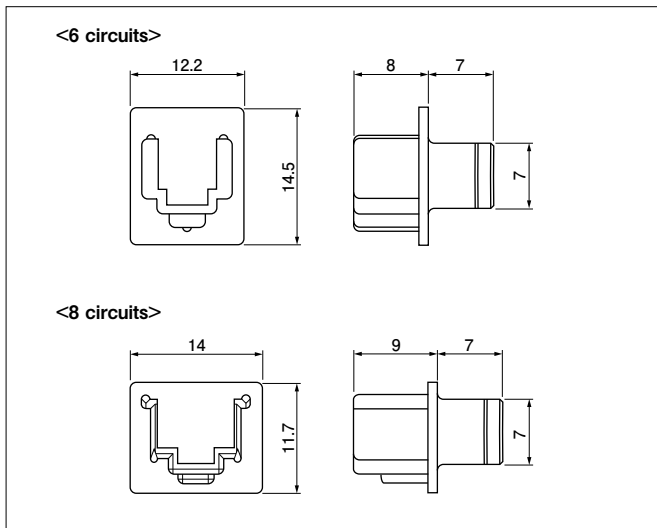
2. Tolerances are non-cumulative: ± 0.05 mm for all centers.

3. Hole dimensions differ according to the type of PC board and piercing method.

The dimensions above should serve as a guideline. Contact JST for details.

4. Straight type product is designed for pressing the boss of housing into a PC board and mounting it on a PC board.

Cap for dust



No. of circuits	Model No.	Q'ty/box
6	MJ-JP56K	500
8	MJ-JP68K	1,000

Material and Finish

MJ-JP56K: PA 66, UL94V-0
MJ-JP68K: PBT, UL94V-0

RoHS2 compliance

Note: Unlisted in UL/CSA.

Model number allocation

Connector

MJ - 6 2 J - R D 315 ■ - T

Series name _____

Opening part size: 4...Up to 4-circuit
 6...Up to 6-circuit
 8...Up to 8-circuit

No. of circuits: 2, 4, 6, 8

Connector type:
 J...Jack, D...Jack (with DC jack)
 C...Jack (Straight type)
 H...Jack (Low profile with shielding cover)
 U...Jack (Straight type)
 R...Jack (Low profile without shielding cover)

Contact shape: R...Right angle (Normal type)
 S...Straight type

Connector shape: D...DIP type

Surface finish: 315...Lead part tin-plated (reflow treatment),
 Mating part gold-plated
 335...Overall gold-plated

Color: None...Gray, K...Black

Surface finish of hook pin: None...Pre-plating, T...Post-plating

Cap for duct

MJ - J P 5 6 K

Series name _____

Connector type: J...Jack

Part name: P...Cap

Housing material: 5...PA 66
 6...PBT

No. of circuits: 6, 8

Color: K...Black