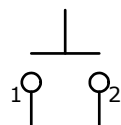


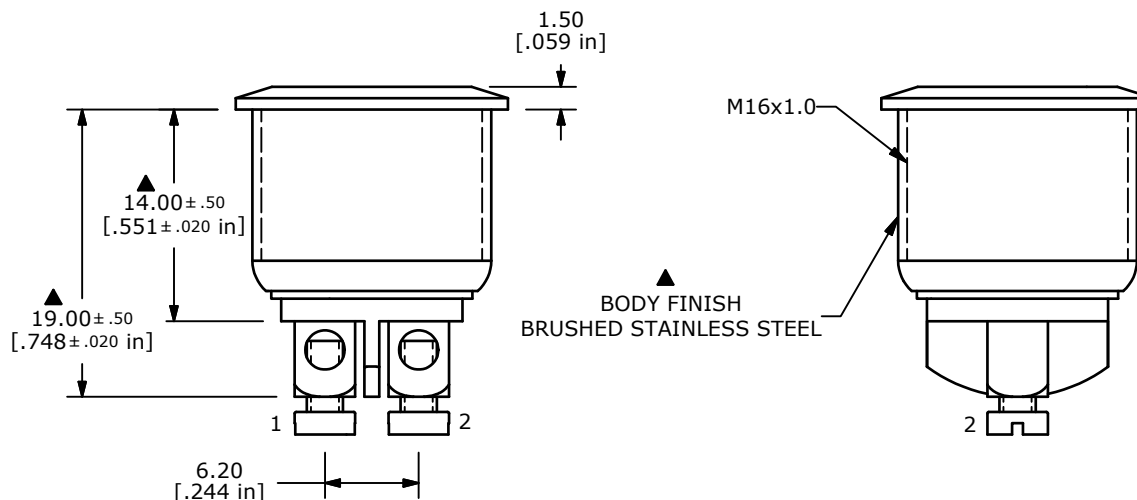
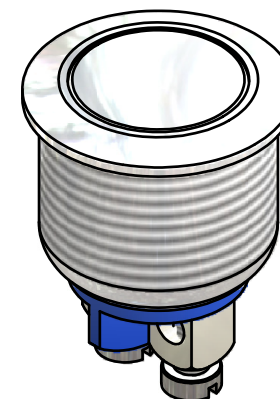
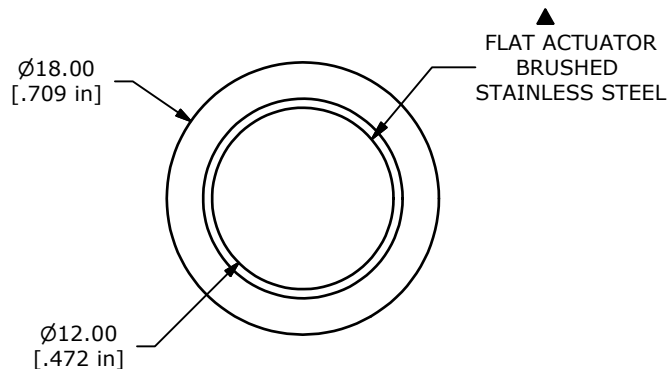
PANEL MOUNTING
MAX. PANEL THICKNESS 6.0mm



CIRCUIT: SPST

SWITCH FUNCTION	
POS. 1	POS. 2
OFF	(ON)
OPEN	1-2

(ON) = MOMENTARY



- NOTE:
1. ALL DIMENSIONS IN MM [INCH]
 2. GENERAL TOLERANCE: X.X=±0.4
X.XX=±0.25
 3. TERMINAL NUMBERS FOR REF ONLY
 4. CONTACT MATERIAL: SILVER
 5. RATING: 2A 48VDC
 - ▲6: TRAVEL: 1.5 ± 0.2mm
 7. ELECTRIC LIFE: 200,000 MAKE-AND-BREAK CYCLES
 8. INSULATION RESISTANCE: 1,000 MΩ MIN.
 9. DIELECTRIC STRENGTH: 2,000 VAC MIN. FOR 1 MINUTE
 10. CONTACT RESISTANCE: 50mΩ MAX. @ 1A 12VDC
 11. OPERATING TEMP.: -20°C to 55°C
 12. ▲DENOTES CRITICAL PARAMETER.
 13. INGRESS PROTECTION: IP65
 - ▲14. HARDWARE SUPPLIED: O-RING AND HEXNUT
 15. 2002/95/EC (ROHS) COMPLIANT



B	20392	UPDATE NOTES, ADD ROHS COMPLIANT	1/10/12	BGL
A	20349	RELEASE FOR PRODUCTION	12/15/11	BMA
REV	PCR NO	DESCRIPTION	DATE	BY

TITLE PV2F640BB				
SCALE 2:1	DATE 8/23/2011	DR BMA	DWG 52-PV2F640BB	REV B

THE INFORMATION CONTAINED IN THIS DOCUMENT IS PROPRIETARY TO E-SWITCH AND IS NOT TO BE COPIED OR TRANSFERRED