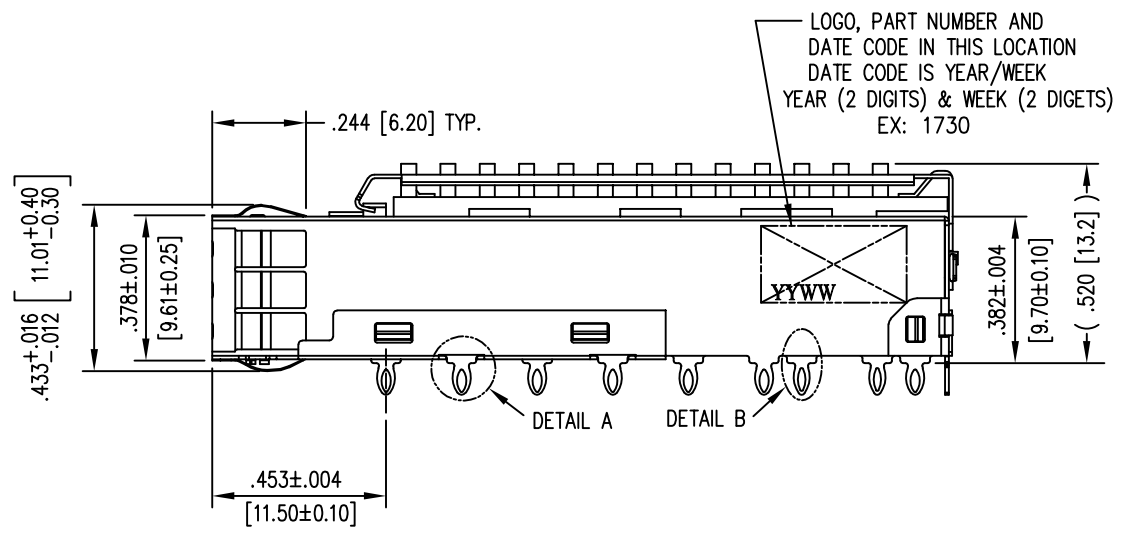
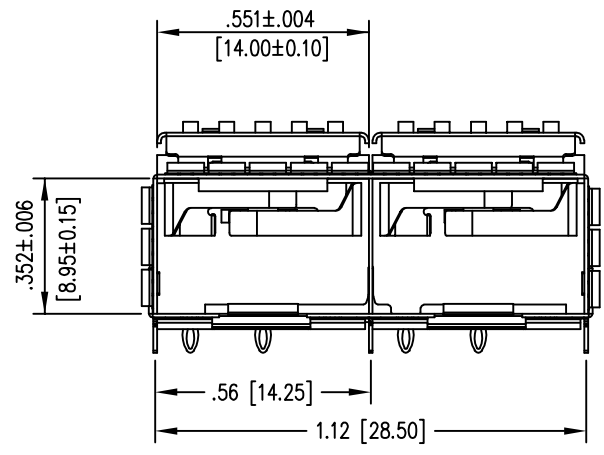
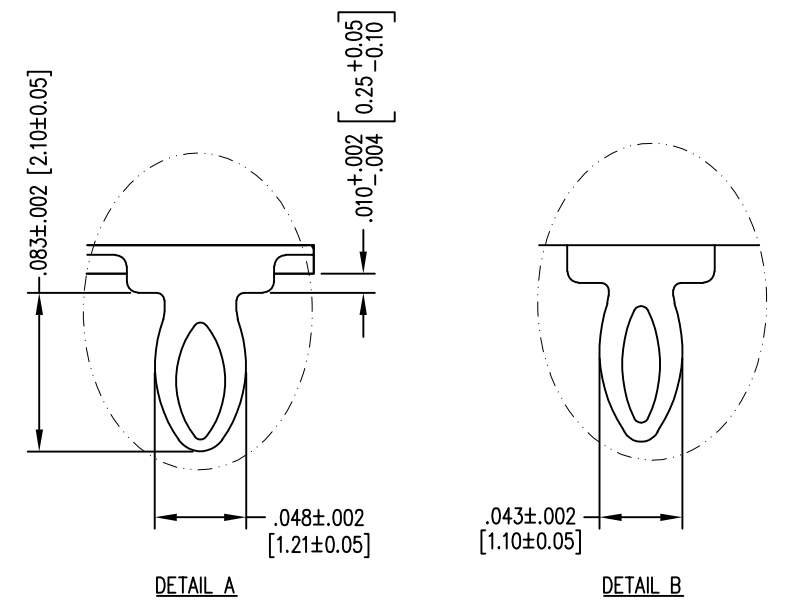
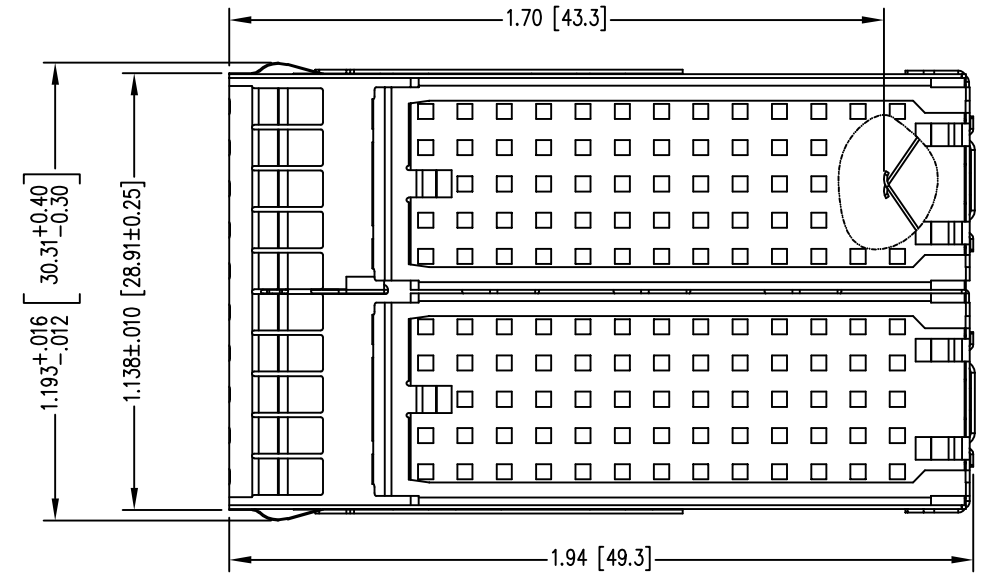
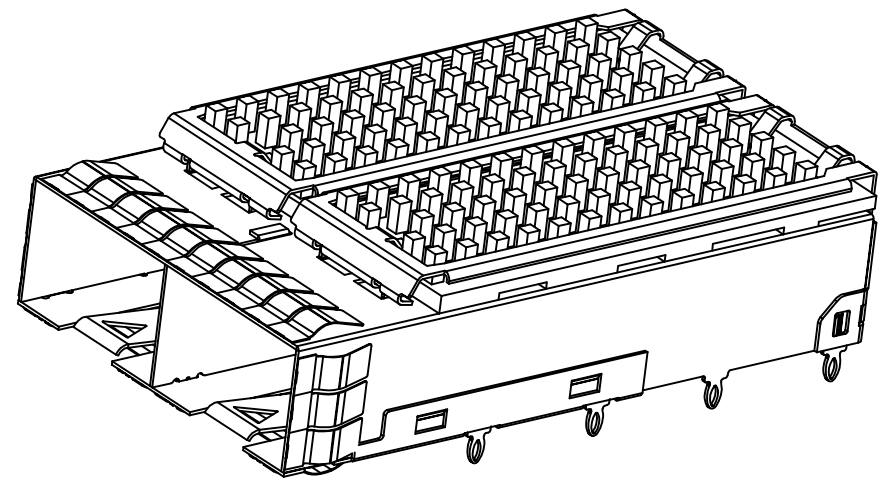
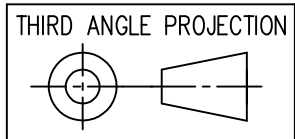


DATE	REV	ECN	APP'D. BY
8-11-17	A2	11061	TRM
8-16-17	A3	11066	TRM
9-28-17	A4	11104	DHG



- NOTES:
- MATERIALS:  
CAGE: COPPER ALLOY  
EMI SPRINGS: COPPER ALLOY  
HEAT SINK: ALUMINUM  
HEAT SINK CLIP: STAINLESS STEEL
  - PLATING:  
CAGE: NICKEL  
EMI SPRINGS: NICKEL  
HEAT SINK: NICKEL  
HEAT SINK CLIP: N/A
  - TEMPERATURE:  
OPERATIONAL: -40°C~+85°C  
STORAGE: -55°C~+105°C
  - FOR PRODUCT SPECIFICATIONS SEE PR043-01.
  - MATES WITH SFP MSA COMPLIANT TRANSCEIVERS.

SS-79100-006
PART NUMBER



1118 Susquehanna Trail South  
Glen Rock, PA 17327-9199  
(717) 235-7512  
<http://www.stewartconnector.com>

DRAWING IS SUBJECT TO CHANGE WITHOUT NOTICE  
UNLESS OTHERWISE SPECIFIED DIMENSIONS INCHES [METRIC] TOLERANCES ARE:  
ANGLES ± 2°  
1 PLC. DEC. ±.010" [±0.25]  
2 PLC. DEC. ±.005" [±0.13]  
3 PLC. DEC. ±.004" [±0.10]  
DO NOT SCALE DRAWING  
SHEET NO. 1 OF 2

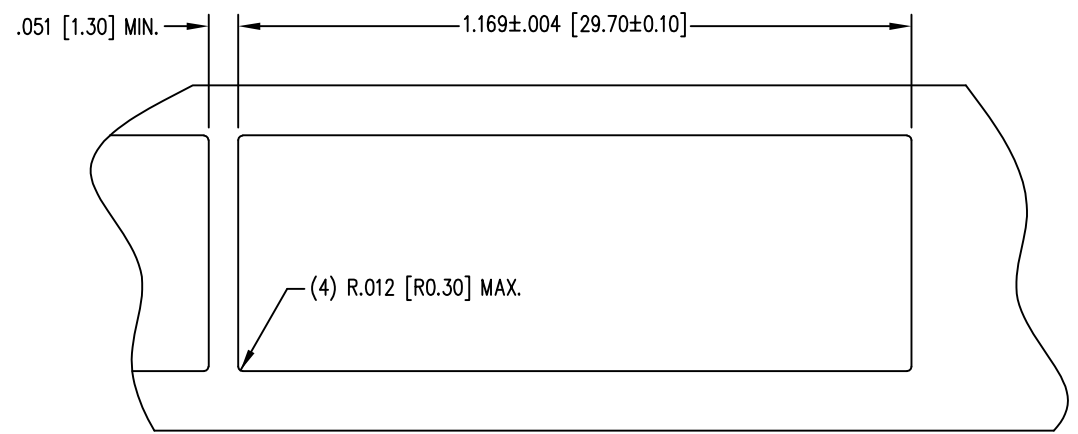
TITLE: SFP+ 1X2 CAGE (WITH HEAT SINK), PRESS FIT

THIS DRAWING AND THE SUBJECT MATTER SHOWN THEREON ARE CONFIDENTIAL AND THE PROPRIETARY PROPERTY OF STEWART CONNECTOR AND SHALL NOT BE REPRODUCED, COPIED, OR USED IN ANY MANNER WITHOUT PRIOR WRITTEN CONSENT OF STEWART CONNECTOR. ONE OR MORE U.S. PATENTS MAY APPLY TO THIS PRODUCT. FOR DETAILS, PLEASE VISIT: [HTTP://BELFUSE.COM/STEWART/STEWART\\_PATENTS/](http://BELFUSE.COM/STEWART/STEWART_PATENTS/)

DRN BY: TRM	DATE: 6-8-17
APPD BY: DHG	DATE: 6-30-17
DWG NO. CT790006	REV. A4



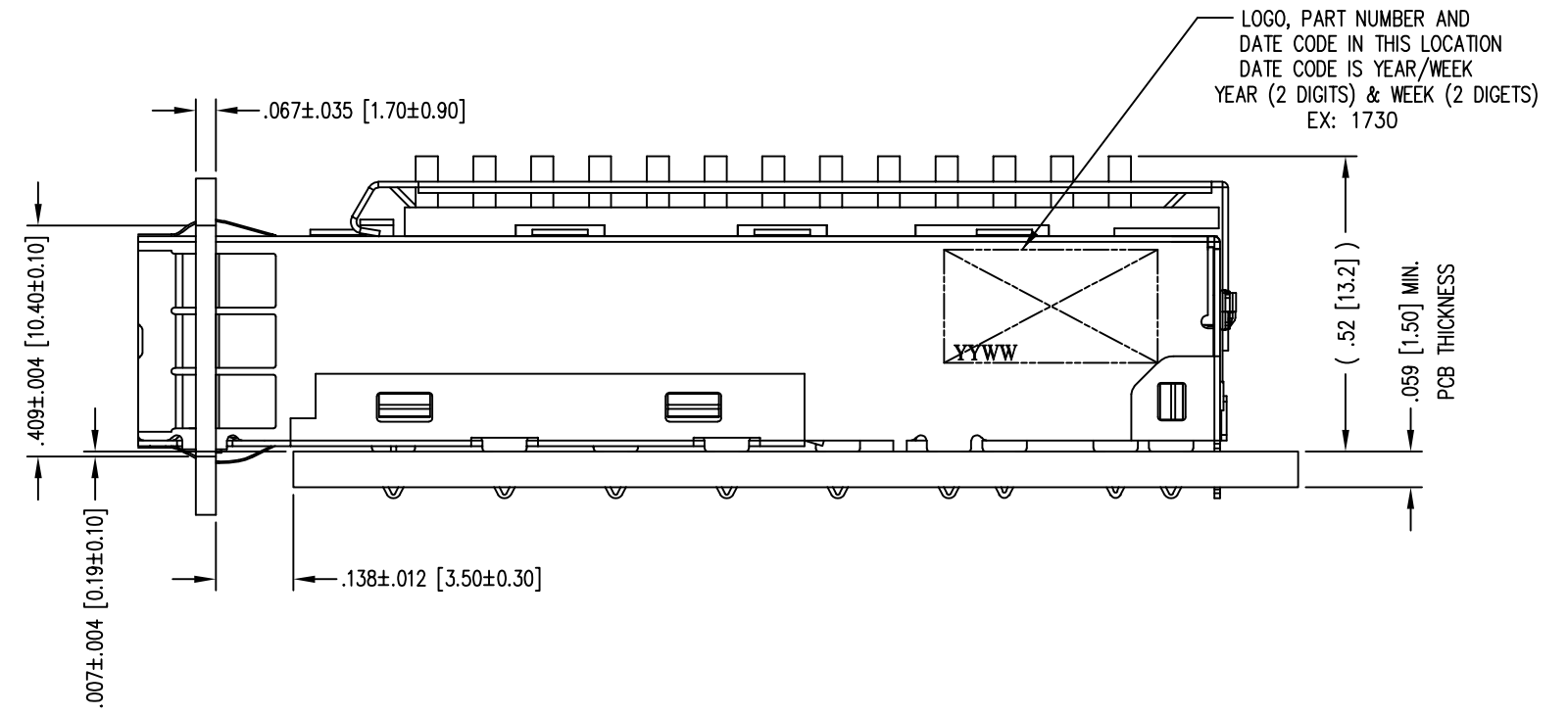
B



SUGGESTED PANEL OPENING SINGLE SIDE APPLICATIONS

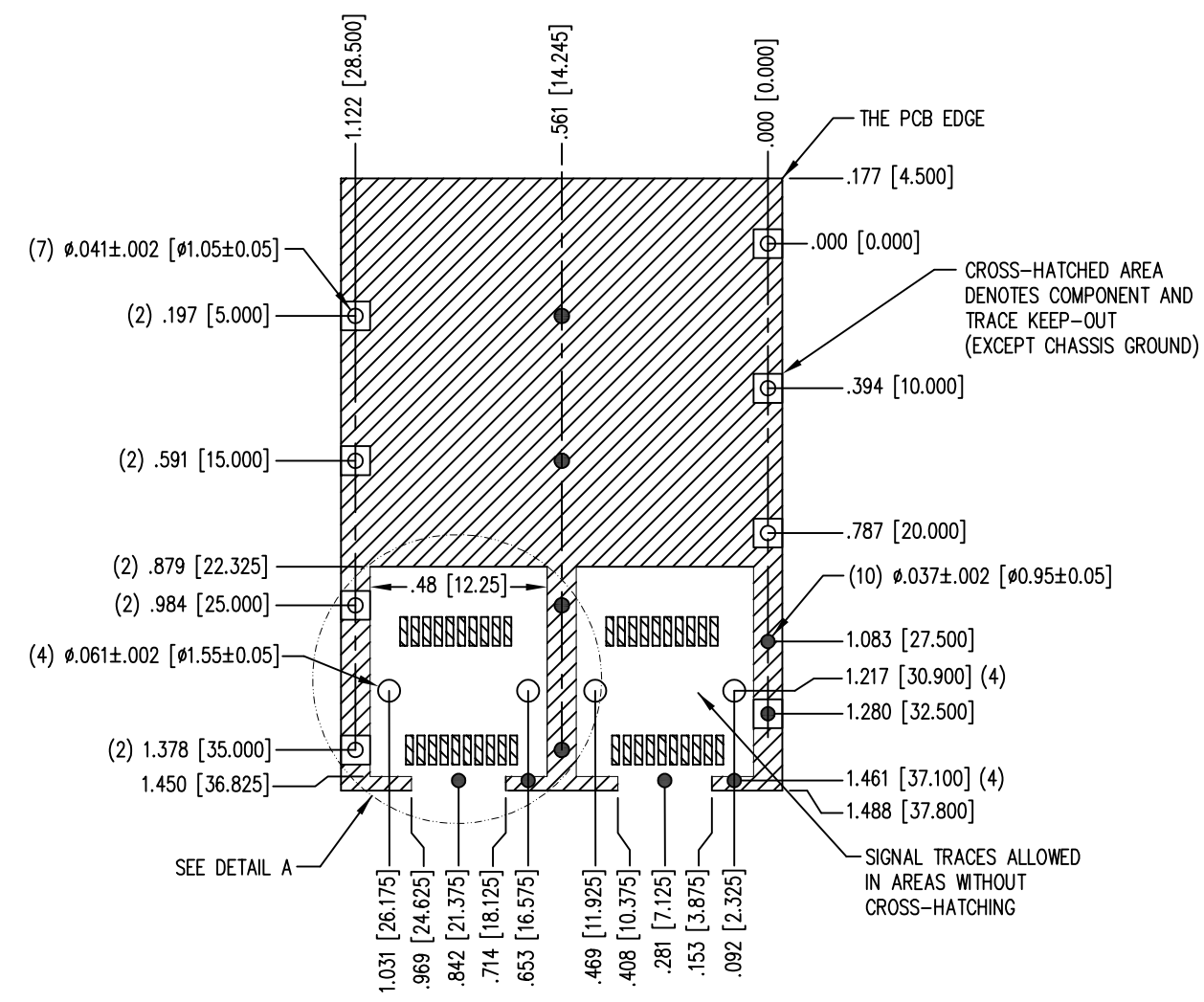
THE SUGGESTED PANEL OPENING IS INTENDED TO GIVE USERS THE ABILITY TO HAVE REASONABLE CAGE/PANEL CLEARANCES, YET MAINTAIN GROUNDING CAPABILITY. THESE VARIABLES CAN BE ADJUSTED IN EITHER DIRECTION BUT MAY CARRY SOME CONSEQUENCES IN THE FORM OF LOWER MATING FORCES OR TIGHTER ASSEMBLY TOLERANCES.

1

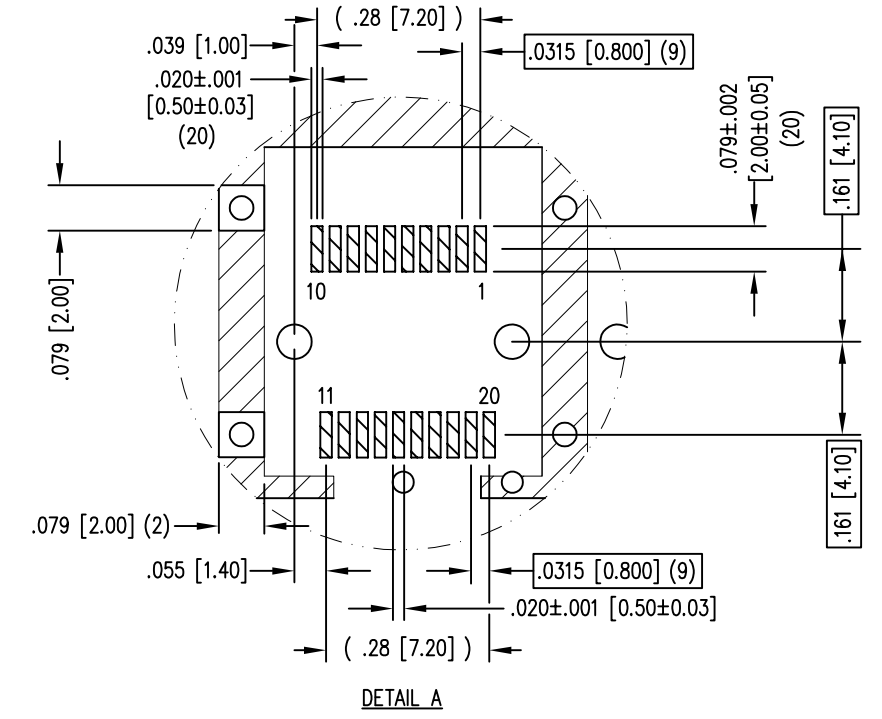


B

A



PCB LAYOUT (TOP VIEW)  
PCB TOLERANCES:  $\pm .002 [\pm 0.05]$



DETAIL A



<p>THIRD ANGLE PROJECTION</p> <p>DRAWING IS SUBJECT TO CHANGE WITHOUT NOTICE</p> <p>UNLESS OTHERWISE SPECIFIED DIMENSIONS INCHES [METRIC] TOLERANCES ARE:</p> <p>ANGLES <math>\pm 2^\circ</math></p> <p>1 PLC. DEC. <math>\pm .010'' [\pm 0.25]</math></p> <p>2 PLC. DEC. <math>\pm .005'' [\pm 0.13]</math></p> <p>3 PLC. DEC. <math>\pm .004'' [\pm 0.10]</math></p> <p>DO NOT SCALE DRAWING</p> <p>SHEET NO. 2 OF 2</p>	<p>1118 Susquehanna Trail South Glen Rock, PA 17327-9199 (717) 235-7512 <a href="http://www.stewartconnector.com">http://www.stewartconnector.com</a></p>	<p>TITLE: SFP+ 1X2 CAGE (WITH HEAT SINK), PRESS FIT</p>					
		<p>THIS DRAWING AND THE SUBJECT MATTER SHOWN THEREON ARE CONFIDENTIAL AND THE PROPRIETARY PROPERTY OF STEWART CONNECTOR AND SHALL NOT BE REPRODUCED, COPIED, OR USED IN ANY MANNER WITHOUT PRIOR WRITTEN CONSENT OF STEWART CONNECTOR. ONE OR MORE U.S. PATENTS MAY APPLY TO THIS PRODUCT. FOR DETAILS, PLEASE VISIT: <a href="http://BELFUSE.COM/STEWART/STEWART_PATENTS/">HTTP://BELFUSE.COM/STEWART/STEWART_PATENTS/</a></p>	<table border="1"> <tr> <td>DRN BY: TRM</td> <td>DATE: 6-8-17</td> </tr> <tr> <td>APPD BY: DHG</td> <td>DATE: 6-30-17</td> </tr> <tr> <td>DWG NO. CT790006</td> <td>REV. A4</td> </tr> </table>	DRN BY: TRM	DATE: 6-8-17	APPD BY: DHG	DATE: 6-30-17
DRN BY: TRM	DATE: 6-8-17						
APPD BY: DHG	DATE: 6-30-17						
DWG NO. CT790006	REV. A4						

2

1

AutoCAD

A