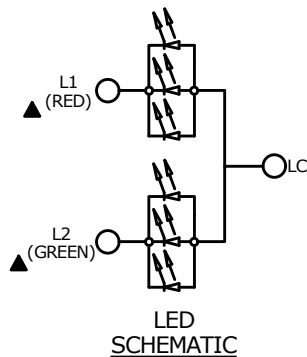
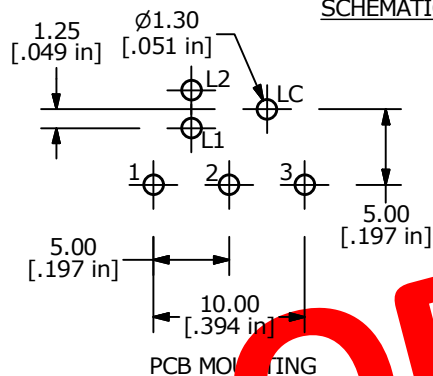
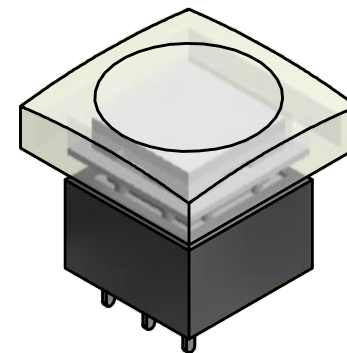
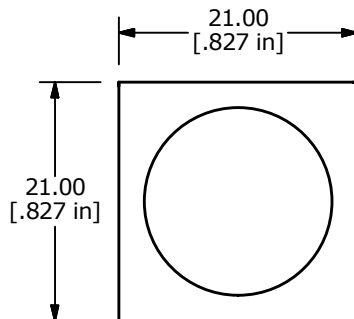


SWITCH SCHEMATIC



LED SCHEMATIC



PCB MOUNTING

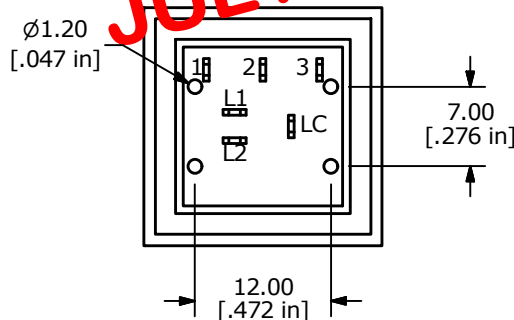
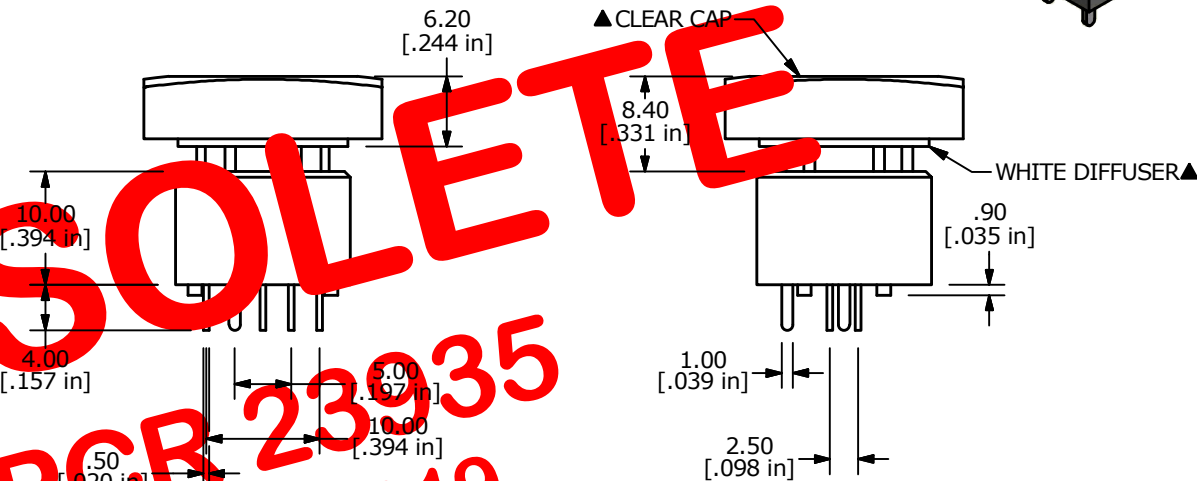
NOTES:

1. ALL DIMENSIONS IN MM
2. GENERAL TOLERANCE: X.X=±0.4  
X.XX=±0.25
3. TERM. NOS. FOR REFERENCE ONLY.
- ▲4. CONTACT RATING: 0.5A @ 100 VAC OR 25 VDC  
0.2A @ 250 VAC
5. CONTACT MATERIAL: SILVER
6. ELECTRICAL LIFE: 200,000 Typical
7. MECHANICAL LIFE:  
1,000,000 CYCLES TYP.
8. OPERATING TEMP: -20°C TO +70°C
9. OPERATING FORCE: 200 ± 100 gf
10. CONTACT RESISTANCE:  
50 MILLI-OHM INITIAL TYP. MAX.
11. INSULATION RESISTANCE:  
500VDC, 100 MΩ MIN.
12. DIELECTRIC STRENGTH:  
1000 VAC FOR 1 MINUTE
13. TRAVEL TO MAKE: 2.20mm ± 0.2
14. 2002/95/EC (ROHS) COMPLIANT
15. ▲DENOTES CRITICAL PARAMETER
- ▲16. LED COLOR: RED: 3 CHIPS; 1.7VDC, @20mA TYP.  
GRN: 3 CHIPS; 2.1VDC, @20mA TYP.

OBSOLETE

PCR 23935

JULY 2019



<b>E-SWITCH®</b>				
TITLE ULP12OAP1QLSCL1REDGRN				
SCALE	DATE	DR	DWG	REV
2:1	10/9/2007	BF	B810010	C

C	19751	UPDATE DRAWING	03/10/11	BMA
B	17749	ADDED NOTE#16	10/09/07	BF
REV	PCR NO	DESCRIPTION	DATE	BY

THE INFORMATION CONTAINED IN THIS DOCUMENT IS PROPRIETARY TO E-SWITCH AND IS NOT TO BE COPIED OR TRANSFERRED