

WITHOUT CPA	WITH CPA	CIRCUIT SIZE	POLARIZATION	CONNECTOR HOUSING COLOR	TESTED WITH THE FEMALE TERMINAL	CAVITY WITH A NUMBER INDICATES BLOCKED TERMINAL POSITION CAVITY WITHOUT A NUMBER INDICATES OPEN TERMINAL POSITION								TOTAL CIRCUITS PLUGGED	STATUS	WIRE DRESS COVER(OPTIONAL)									
						1	2	3	4	5	6	7	8			HORIZONTAL	VERTICAL								
31404-9100	31404-9110	1X8	A	BLACK	TE GEN Y 0.64MM TERMINAL /YAZAKI FLX 0.64MM.TERMINAL								0	SALABLE											
31404-9101	31404-9111		A	BLACK					3						1	SALABLE									
31404-9102	31404-9112		A	BLACK					3	4					2	SALABLE									
31404-9103	31404-9113		A	BLACK				1							3	SALABLE									
31404-9104	31404-9114		A	BLACK				1	2	3	4				4	SALABLE									
31404-9105	31404-9115		A	BLACK				1	2	3	4				5	SALABLE									
31404-9106	31404-9116		A	BLACK					2			4	5	6	7	8	6	SALABLE							
31404-9107	31404-9117		A	BLACK											7	8	2	SALABLE	G1						
31404-9108	31404-9118		A	BLACK											5	7	8	3	SALABLE	G1					
31404-9109	31404-9119		A	BLACK								3	4	5			3	SALABLE	G4						
31404-9121	31404-9131		A	BLACK									4				1	SALABLE							
31404-9122	31404-9132		A	BLACK								3				7	2	SALABLE							
31404-9123	31404-9133		A	BLACK								3				8	3	SALABLE							
31404-9124	31404-9134		A	BLACK								1	2			6	7	8	4	SALABLE					
31404-9125	31404-9135		A	BLACK											5	6	7	8	4	SALABLE	G5				
31404-9126	31404-9136		A	BLACK								1	2	3	4	5	6	7	8	6	SALABLE				
31404-9127	31404-9137		A	BLACK											4	5	6	7	3	SALABLE	G6				
31404-9128	31404-9138		A	BLACK											4	5	6	7	3	SALABLE	G7				
31404-9129	31404-9139		A	BLACK											5	6	7	2	SALABLE	G7					
31404-9141	31404-9151		A	BLACK												6	7	1	SALABLE						
31404-9142	31404-9152		A	BLACK									2			6		2	SALABLE						
31404-9143	31404-9153		A	BLACK									1			6		3	SALABLE						
31404-9144	31404-9154		A	BLACK												6	7	8	3	SALABLE	G8 G9				
31404-9161	31404-9171		A	BLACK									2					1	SALABLE						
31404-9162	31404-9172		A	BLACK									1	2				2	SALABLE						
31404-9163	31404-9173		A	BLACK									1	2				3	SALABLE						
31404-9182	31404-9192		A	BLACK											3			6	2	SALABLE					
31404-9183	31404-9193		A	BLACK									1					4	3	SALABLE	G				
31404-9501	31404-9511		A	LT.GRAY											3			1	SALABLE						
31404-9502	31404-9512		A	BLACK												4	5	6	2	SALABLE					
31404-9503	31404-9513		A	BLACK									1	2				4	3	SALABLE					
31404-9522	31404-9532		A	BLACK												4		7	2	SALABLE					
31404-9523	31404-9533		A	BLACK									1	2	3			3	3	SALABLE					
31404-9542	31404-9552		A	BLACK										2	3				2	SALABLE					
31404-9543	31404-9553		A	BLACK										2	3				3	SALABLE					
31404-9562	31404-9572		A	BLACK												4	5	6	2	SALABLE					
31404-9563	31404-9573		A	BLACK															7	3	SALABLE				
31404-9583	31404-9593		A	BLACK															7	8	3	SALABLE			
31404-9584	31404-9594		A	BLACK															7	8	4	SALABLE			
31404-9200	31404-9210		B	LT.GRAY																	0	SALABLE	G3		
31404-9203	31404-9213		B	LT.GRAY															3	7	8	3	SALABLE	G2	
31404-9204	31404-9214		B	LT.GRAY															2	3	7	8	4	SALABLE	G2
31404-9300	31404-9310		C	DK.GRAY																		0	SALABLE		
31404-9400	31404-9410		D	TBD																		0	NOT TOOL		
31404-9001	31404-9006		B	BLACK																		0	SALABLE	G8	
31404-9002	31404-9007		C	BLACK																		0	SALABLE	G8	
31404-9003	31404-9008		C	LT.GRAY																		0	SALABLE	G8	
31404-9004	31404-9009	A	DK.GRAY																	0	SALABLE	G8			
31404-9005	31404-9010	B	DK.GRAY																	0	SALABLE	G8			
31404-9184	31404-9595	A	BLACK																	6	8	2	SALABLE		
31404-9586	31404-9596	A	BLACK																	7	8	1	SALABLE	G11	

NOTES: VALID UNLESS OTHERWISE SPECIFIED

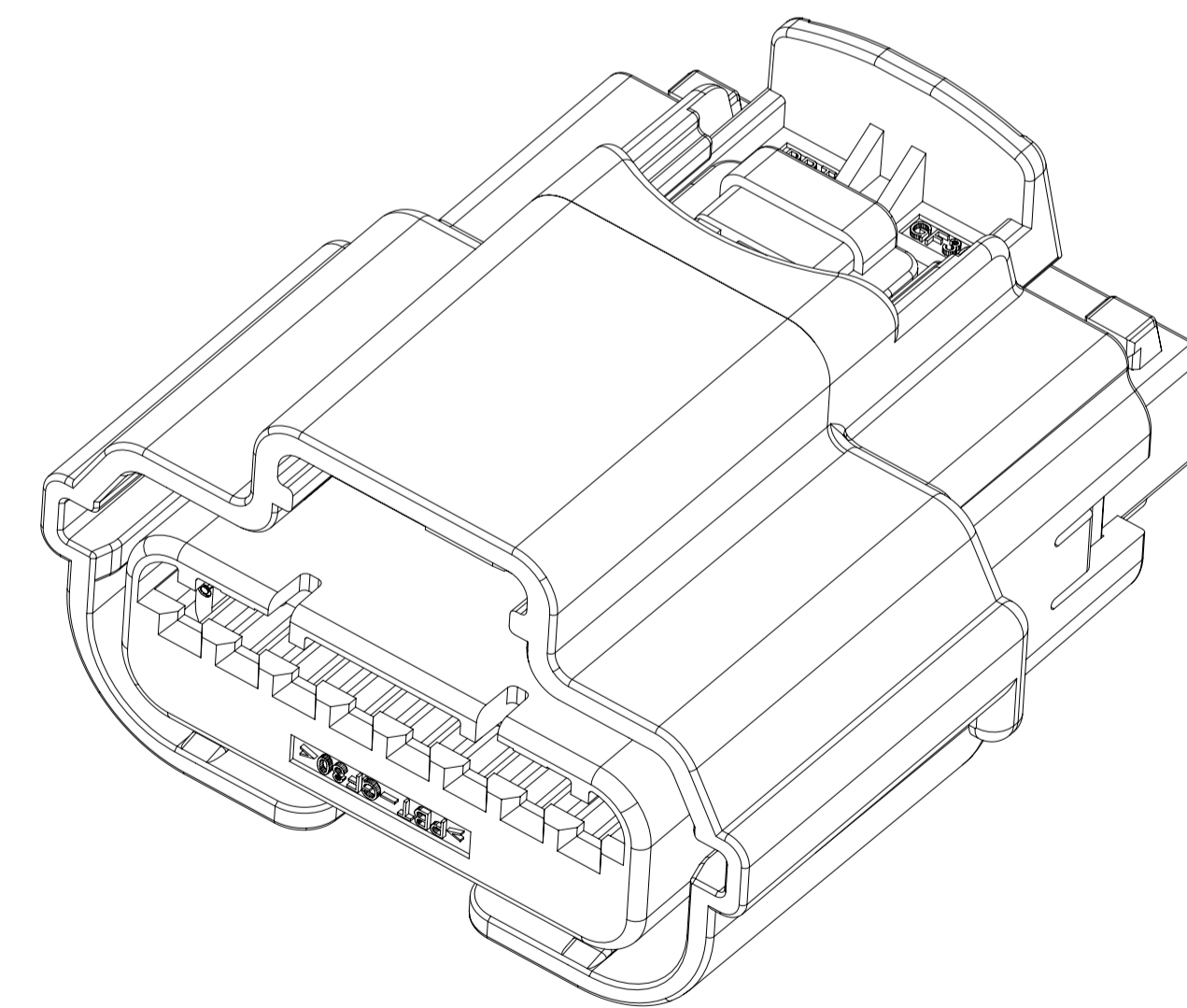
- GENERAL:
 - a. APPLICATION SPECIFICATION SEE: AS-31402-000
 - DESIGNED TO MATE WITH DEVICE CONNECTION AS SPECIFIED IN USCAR INTERFACE DRAWING FOR SINGLE ROW SEALED 0.64 SYSTEMS. 064-S-008-1-Z02.
 - ASSEMBLY SHIPPED WITH TPA IN PRE-SET POSITION (SEE SECTION Z-Z) UPON FULL TERMINAL ASSEMBLY. TPA MUST BE SNAPPED INTO ITS FINAL LOCK POSITION AFTER TERMINALS ARE ASSEMBLED (SEE SECTION Y-Y)
 - TPA'S MAY BECOME SEATED DURING TRANSIT. IF THIS OCCURS, TPA'S SHOULD BE MOVED TO THE PRE-LOCKED POSITION PRIOR TO FEMALE TERMINAL INSTALLATION.
 - REFERENCE PRODUCT SPECIFICATION: PS-34646-001.
 - SYSTEM TO BE USED WITH WIRE WITHIN RANGE OF:
 - >SAE 22 AWG TO 18 AWG
 - >ISO 0.35MM² TO 0.75MM² PER GMW156256
 - >CABLE OUTSIDE DIAMETER: FROM 1.2MM TO 1.9 MM
 - PRODUCT SPECIFICATION SEE: PS-31404-001
 - PACKAGING SPECIFICATION PER MOLEX DRAWING: PK-31300-256
 - PARTS MUST BE IN COMPLIANCE TO MOLEX CHEMICAL SUBSTANCES FOR PRODUCTS AND PACKAGING SPECIFICATION: ES-40000-5016
 - DATA MUST BE SUBMITTED UNDER THE MOLEX PART NUMBER TO IMDS (COMPANY ID#13255)
- DESIGN - MATERIALS:
 - a. SEE BOM TABLE IN PAGE 2
 - DESIGN - GEOMETRY:
 - a. THIS IS A 100% CAD GENERATED PART. THE CAD MATHEMATICAL DATA IS THE MASTER FOR THIS PART. FOR DIMENSIONAL OR ANY INFORMATION
 - b. DATE CODE: FIRST TWO DIGITS ARE THE CALENDAR YEAR (EXAMPLE: 13 = 2013). THIRD THROUGH 5TH DIGIT DAY # OF THE CALENDAR YEAR (EXAMPLE: FEB. 3RD = '034').
 - c. VISUAL DEFECTS SHALL MEET COSMETIC STANDARD PS-45499-002 (Class B)

TABLE OF CONTENTS	
SHEET NO.	SHEET DESCRIPTION
1	NOTE
2	BOM
3	KEY CONFIGURATION
4	WIRE DRESS COVER ASSEMBLY

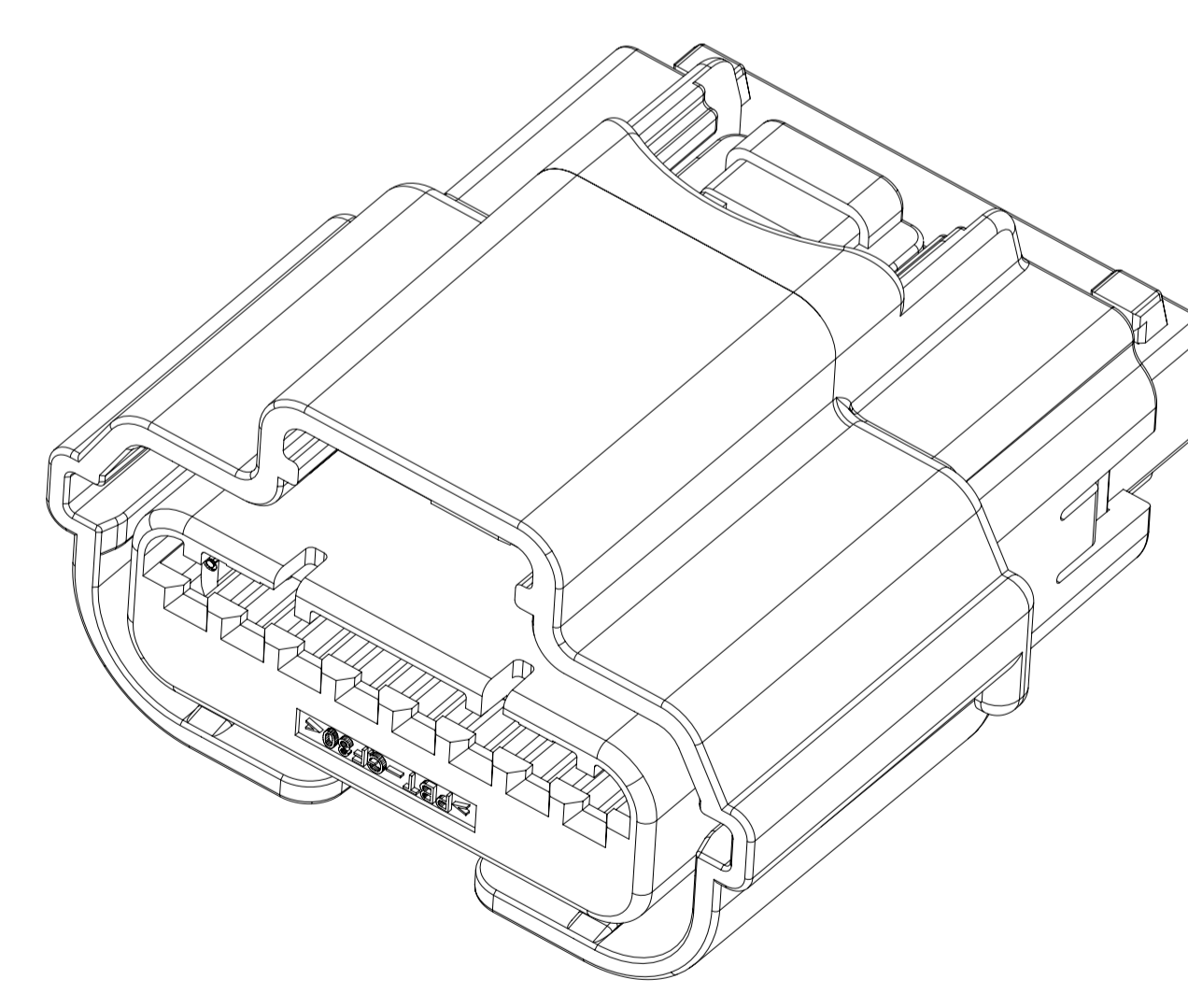
PART NUMBER LEGEND
CONNECTOR ASSEMBLY
31404-9XXX

- 0 - ALL CIRCUITS OPEN
 - 1-9 - SEE CHART
- CPA OPTION
0, 2, 4, 6 OR 8 WITHOUT CPA
1, 3, 5, 7 OR 9 WITH CPA
- POLARIZATION OPTION
1 OR 5- POLARIZATION A
2 OR 6- POLARIZATION B
3 OR 7- POLARIZATION C
4 OR 8- POLARIZATION D

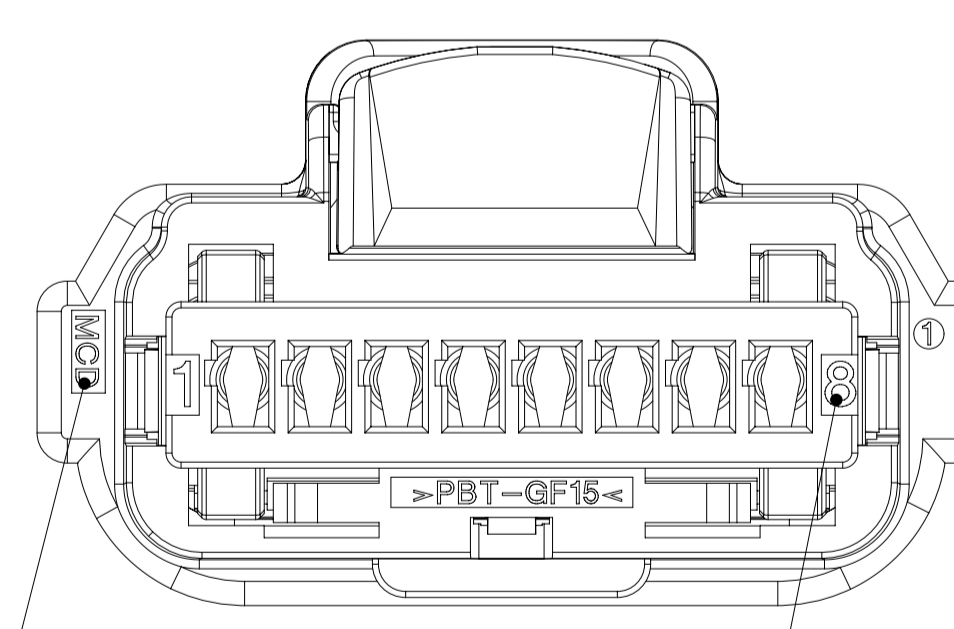
G12	REMOVE 31404-9585, ADD 31404-9184 BACK
G11	ADD P/N: 31404-9585/9595, 31404-9586/9596; Delete 31404-9184/9194
G10	ADD P/N: 31404-9184/9194
G9	UPDATE CONFIGURATION FOR P/N 31404-9144/9154
G8	ADD P/N: 31404-9001 TO 9010, 31404-9144/9154
G7	ADD P/N: 31404-9128/9138, 31404-9129/9139
G6	ADD P/N: 31404-9127/9137
G5	ADD P/N: 31404-9125/9135
G4	ADD P/N: 31404-9109/9119
G3	ADD P/N: 31404-9203/9213, DELETE OBSOLETE P/Ns (31404-8XXX)
G2	UPDATE COLOR DESCRIPTION
G1	ADD P/N: 31404-9107/9117, 31404-9108/9118
G	OBSOLETE P/N 31404-8XXX ADD NEW P/N 31404-9501/31404-9511
F	ADD P/N 31404-9583/9593, 31404-9584/9594 AND 31404-9204/9214 CHANGE STATUS FROM "TOOED" TO "SALABLE"
E6	CHANGE P/N 31401-9101 TO 31404-9101
E3	ADD P/N: 31404-8563/8573 AND 31404-9563/9573
E2	ADD P/N: 31404-8126/8136 AND 31404-9126/9136
E1	ADD P/N: 31404-8106/8116 AND 31404-9106/9116
E	ADD P/N:31404-9XXX BASED ON THE PRODUCT UPGRADE
D3	ADD P/N: 31404-8562, 31404-8572,
D2	ADD P/N: 31404-8161 AND 31404-8171 31404-8542 AND 31404-8552 AND MANUFACTURING LOCATION ID
D1	ADD P/N: 31404-8522 AND 31404-8532
D	ADD P/N: 31404-8502 AND 31404-8512
C2	UPDATE NOTE 1_a ADD TE TERMINAL IN THE LIST
C1	UPDATE TERMINAL AND WIRE INFORMATON
C	ADD WIRE DRESS CONVER P/N.
B	ADD P/N
A	INITIAL RELEASE SAP # 10647976
REV	REV DESCRIPTION



WITH CPA



WITHOUT CPA



MANUFACTURING
LOCATION ID

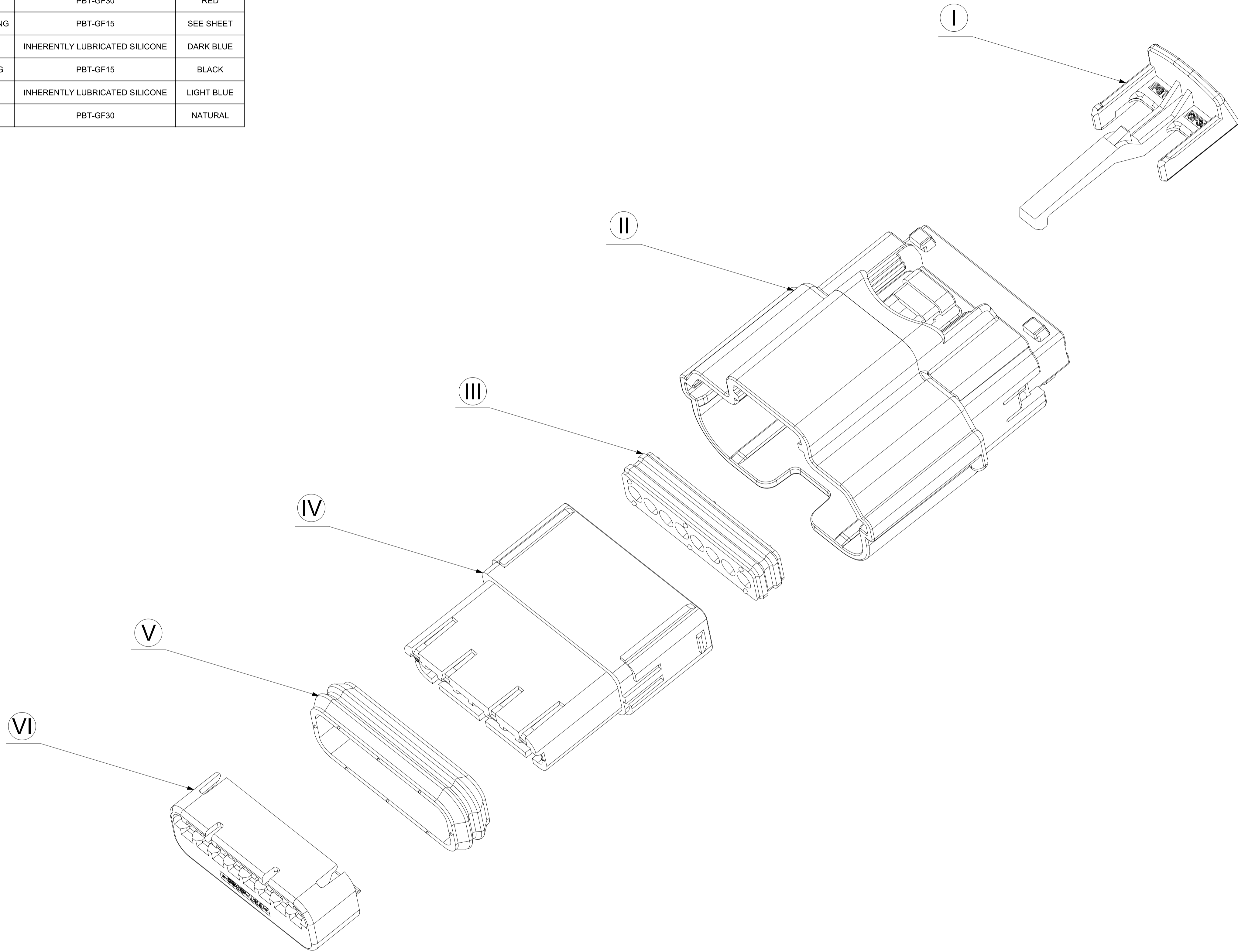
CIRCUIT ID

INSPECTION BALLOON NUMBER LOG	
PER DRAWING REVISION: F	
LAST BALLOON NUMBER USED: 4	
ADDED BALLOON NUMBERS:	
REMOVED BALLOON NUMBERS:	

SYMBOLS THIS DRAWING CONTAINS INFORMATION THAT IS PROPRIETARY TO MOLEX ELECTRONIC TECHNOLOGIES, LLC AND SHOULD NOT BE USED WITHOUT WRITTEN PERMISSION DIMENSION UNITS: mm SCALE: 4:1 GENERAL TOLERANCES (UNLESS SPECIFIED) ANGULAR TOL: ± 0.5° 4 PLACES ± 0 3 PLACES ± 0 2 PLACES ± 0 1 PLACE ± 0 0 PLACES ± 0 DRAFT WHERE APPLICABLE MUST REMAIN WITHIN DIMENSIONS	CURRENT REV DESC: EC NO: CO-000000853 DRWN: Yan Allen 15-Apr-2022 CHK'D: Fiona Chen 15-Apr-2022 APPR: Colin Zhang 20-Apr-2022 INITIAL REVISION: DRWN: Yan Allen 14-Feb-2022 APPR: David Xie 24-Feb-2022	molex USCAR 0.64MM 8 WAY ADD NEW P/N: 314049184/9194 PRODUCT SALES DRAWING	
	DOCUMENT NUMBER: SD-31404-811 DOC TYPE: PSD DOC PART: 001 REVISION: G12	MATERIAL NUMBER: 31404 CUSTOMER: GENERAL MARKET SHEET NUMBER: 1 OF 4	

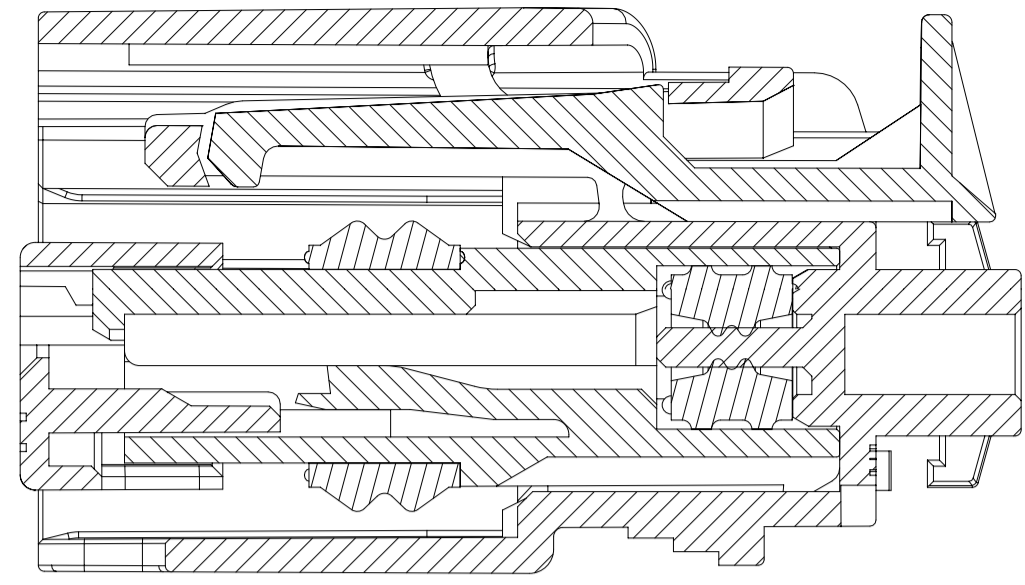
SHEET DESCRIPTION	
BOM	

ITEM NO.	DESCRIPTION	MATERIAL	COLOR
I	CPA	PBT-GF30	RED
II	CONNECTOR HOUSING	PBT-GF15	SEE SHEET
III	MATTE SEAL	INHERENTLY LUBRICATED SILICONE	DARK BLUE
IV	TERMINAL HOUSING	PBT-GF15	BLACK
V	PERIPHERAL SEAL	INHERENTLY LUBRICATED SILICONE	LIGHT BLUE
VI	TPA	PBT-GF30	NATURAL

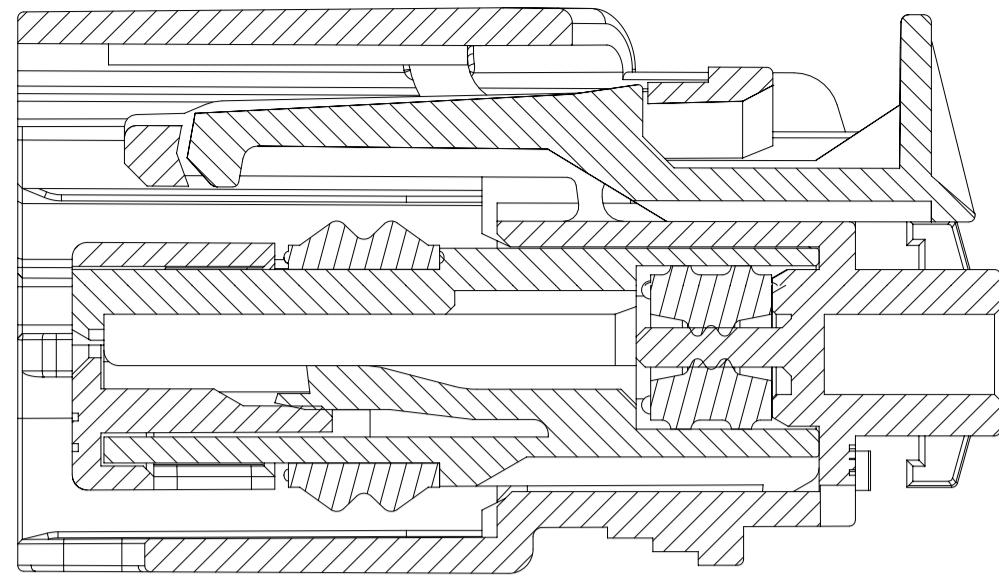


SYMBOLS = 0 = 0 = 0 = 0 = 0 = 0 = 0 = 0 = 0	THIS DRAWING CONTAINS INFORMATION THAT IS PROPRIETARY TO MOLEX ELECTRONIC TECHNOLOGIES, LLC AND SHOULD NOT BE USED WITHOUT WRITTEN PERMISSION DIMENSION UNITS: mm SCALE: 4:1		CURRENT REV DESC: EC NO: CO-000000853 DRWN: Yan Allen 15-Apr-2022 CHK'D: Fiona Chen 15-Apr-2022 APPR: Colin Zhang 20-Apr-2022		 USCAR 0.64MM 8 WAY ADD NEW P/N: 314049184/9194		
	GENERAL TOLERANCES (UNLESS SPECIFIED) ANGULAR TOL ± 0.5°		INITIAL REVISION: DRWN: Yan Allen 14-Feb-2022 APPR: David Xie 24-Feb-2022				
DRAFT WHERE APPLICABLE MUST REMAIN WITHIN DIMENSIONS		THIRD ANGLE PROJECTION	DRAWING: A1-SIZE	SERIES: 31404	MATERIAL NUMBER:	CUSTOMER: GENERAL MARKET	SHEET NUMBER: 2 OF 4

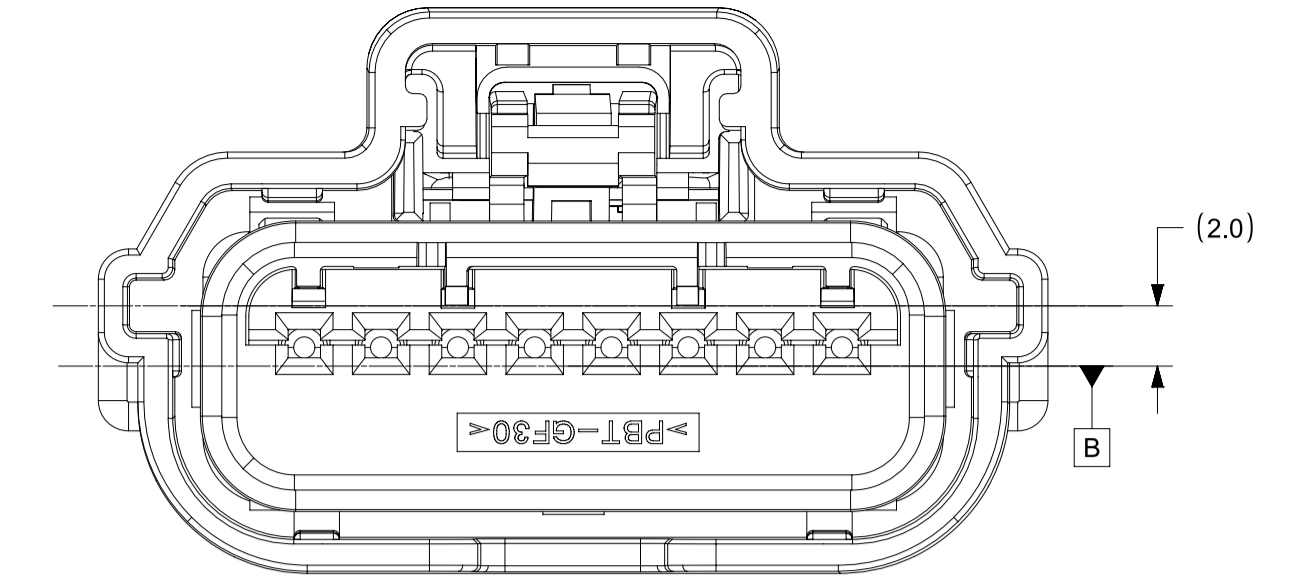
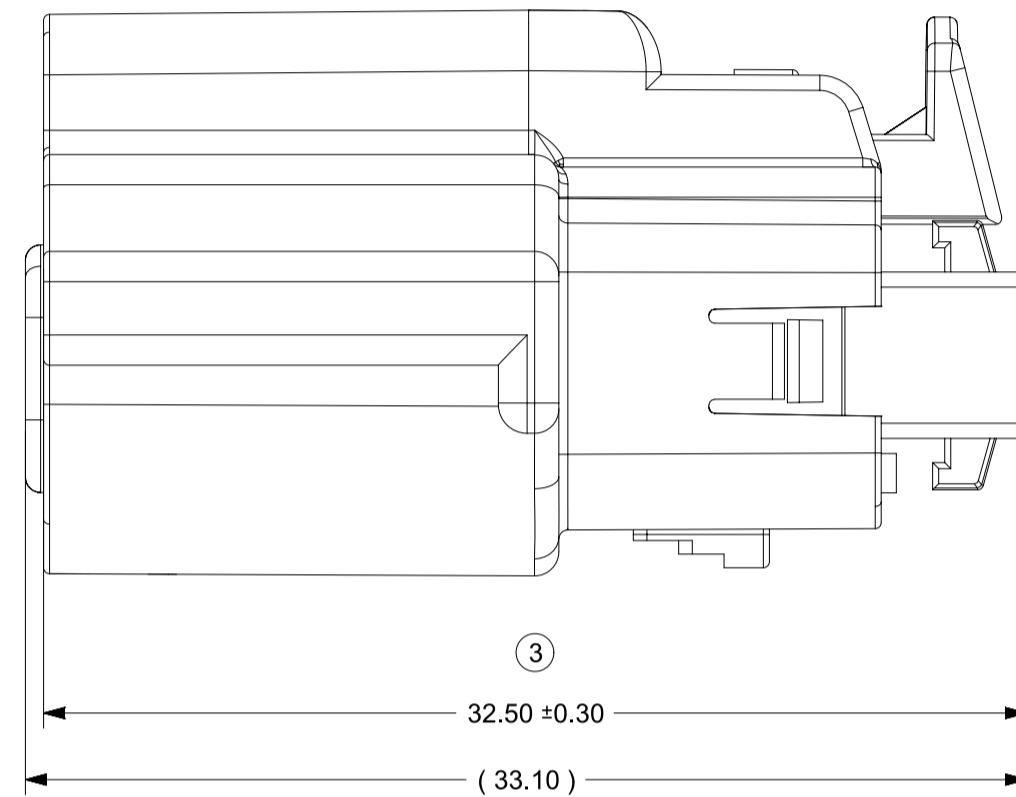
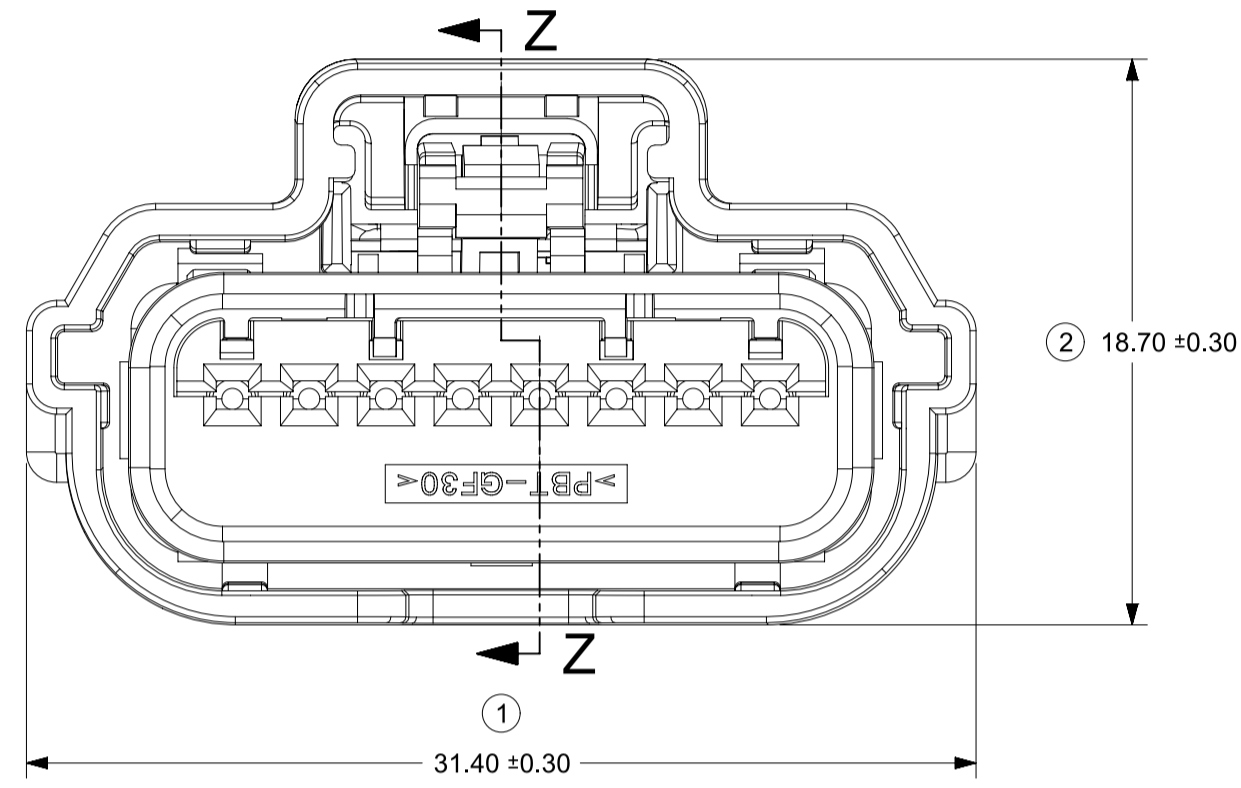
SHEET DESCRIPTION
KEY CONFIGURATIONS



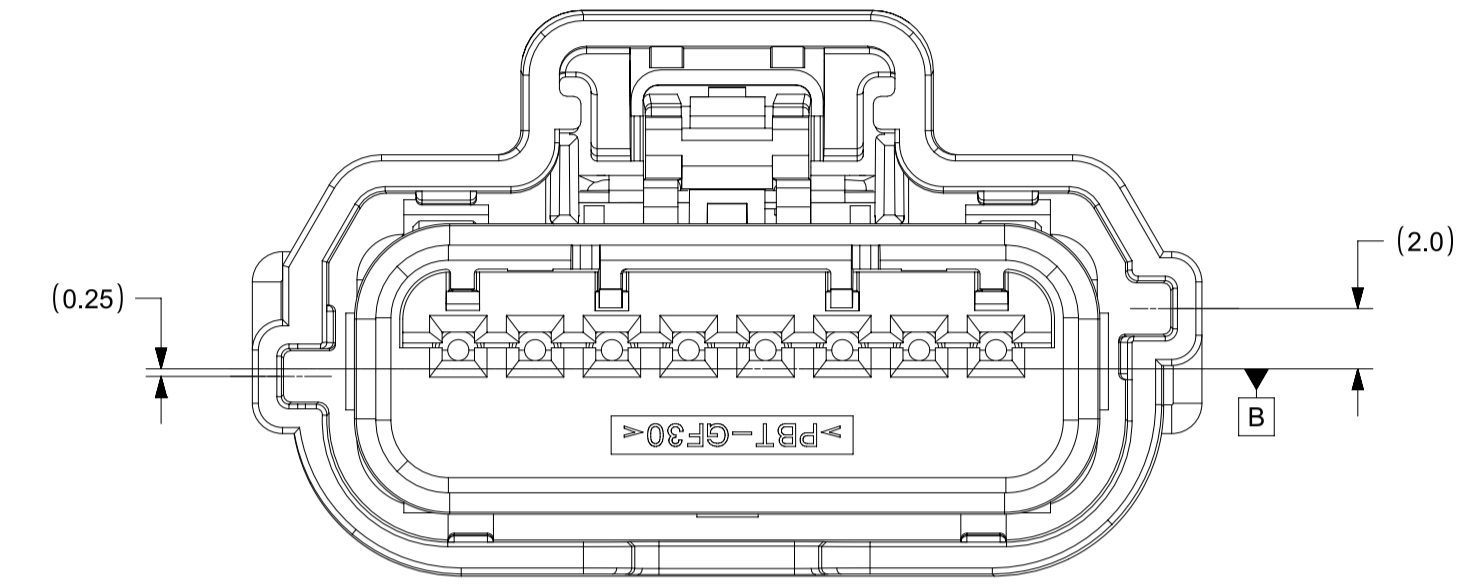
SECTION Z-Z
TPA SHOWN IN AS-SHIPPED
PRE-SET POSITION
SEE NOTE 1-a



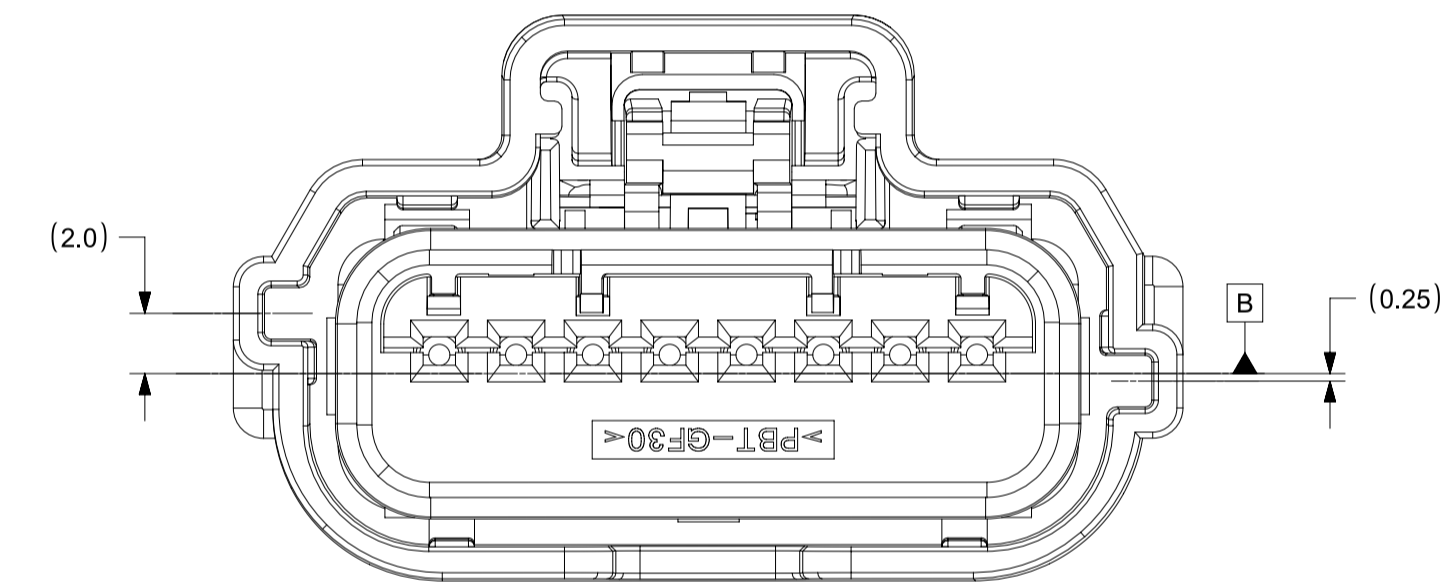
SECTION Y-Y
TPA SHOWN IN FINAL
LOCK POSITION POSITION
SEE NOTE 1-a



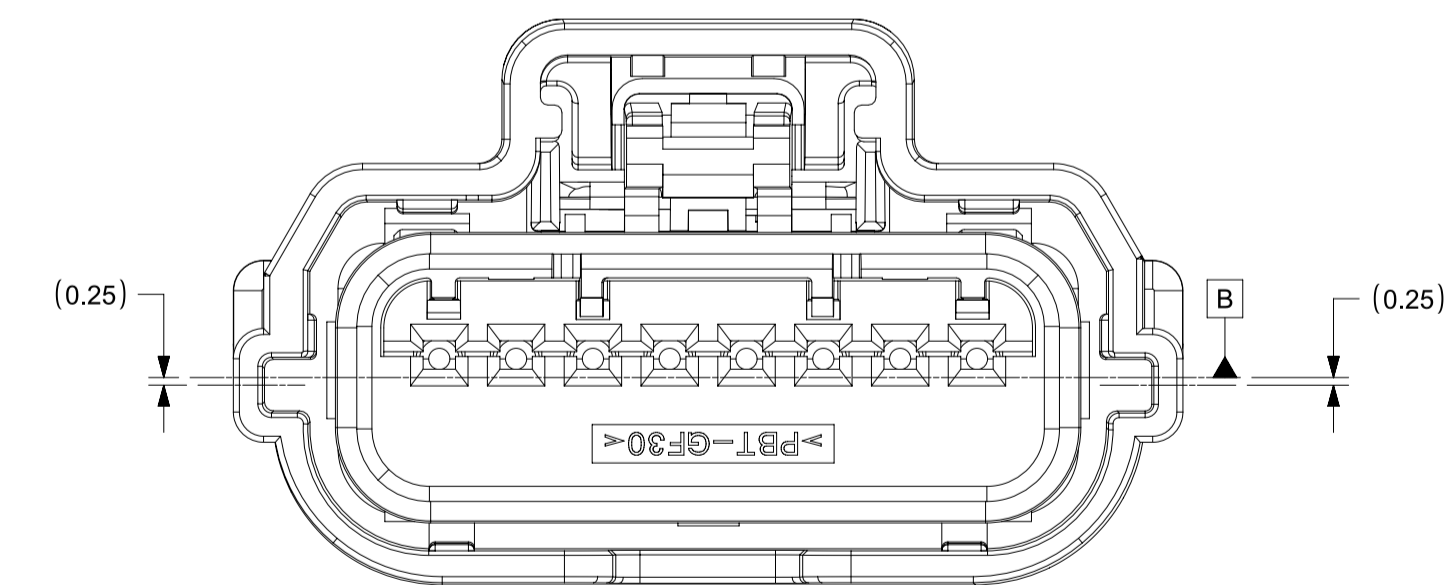
POLARIZATION A



POLARIZATION B

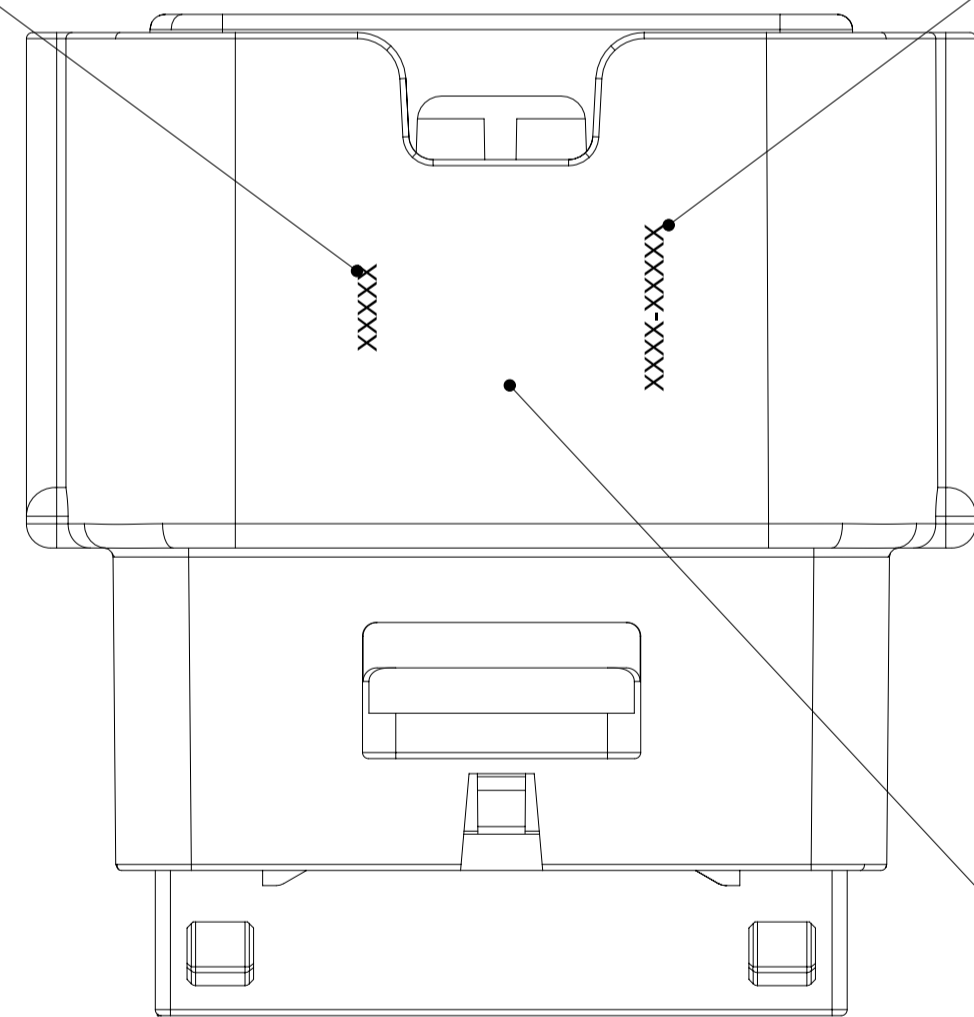


POLARIZATION C



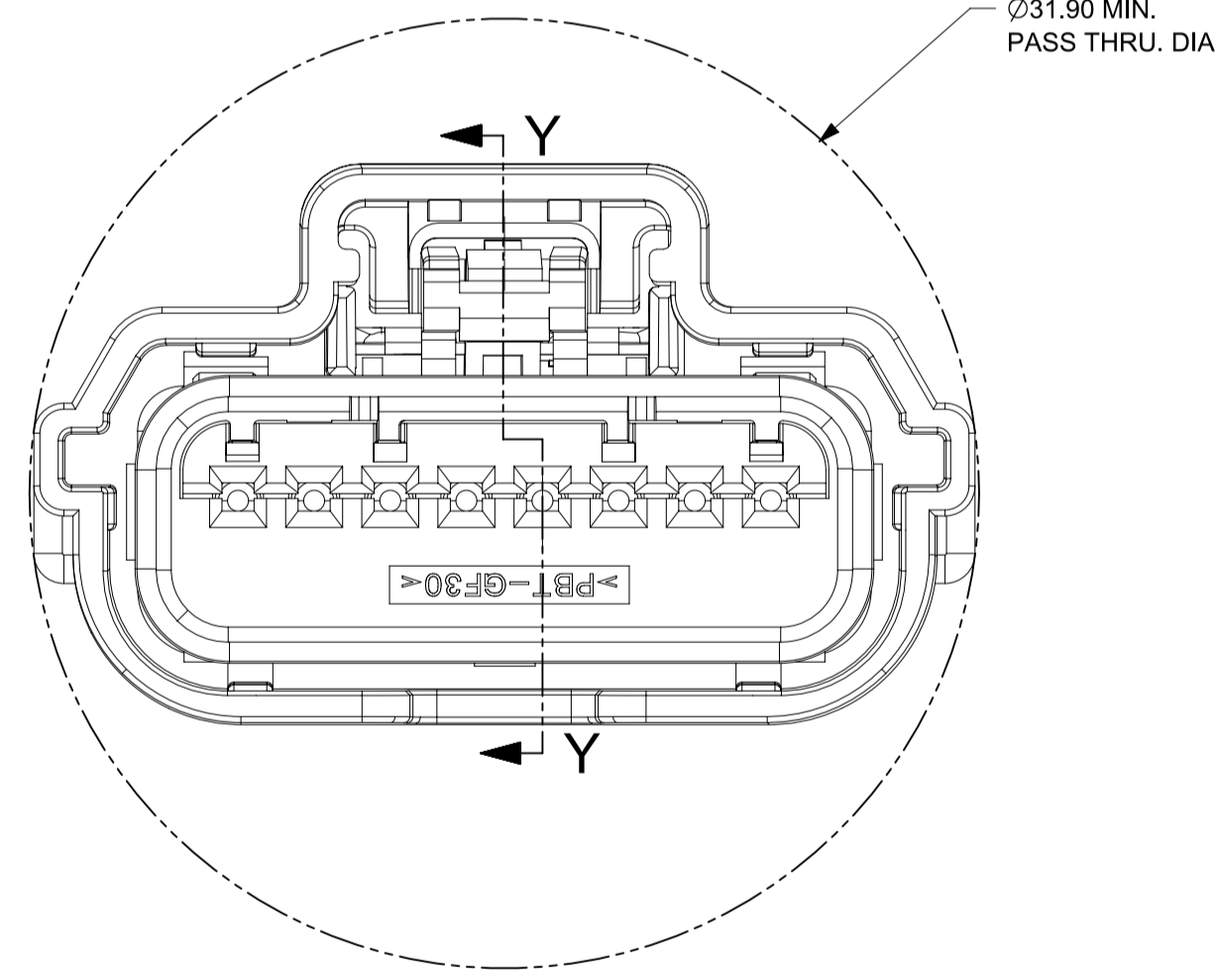
POLARIZATION D

DATE CODE
SEE NOTE 3-b



MOLEX P/N

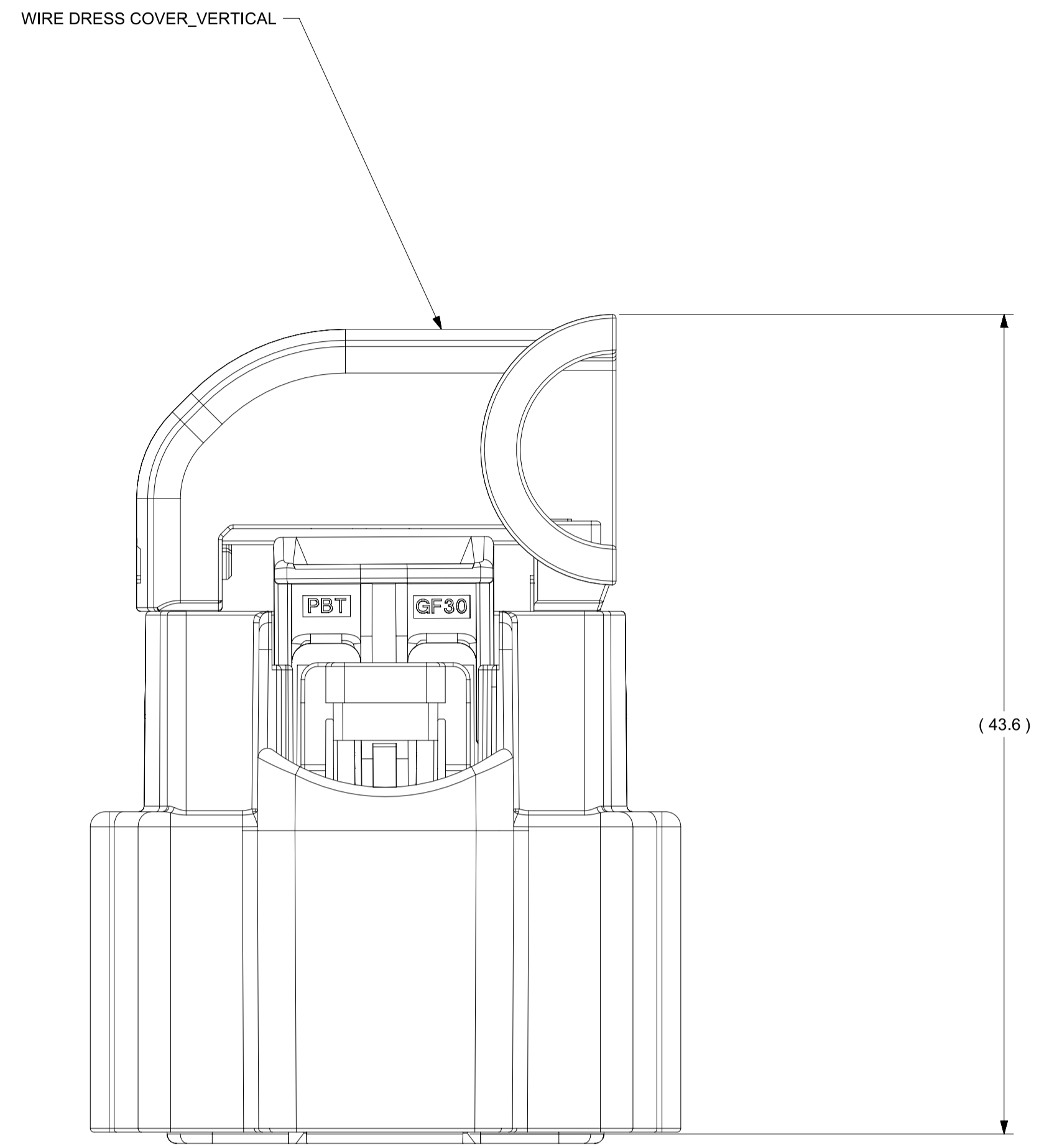
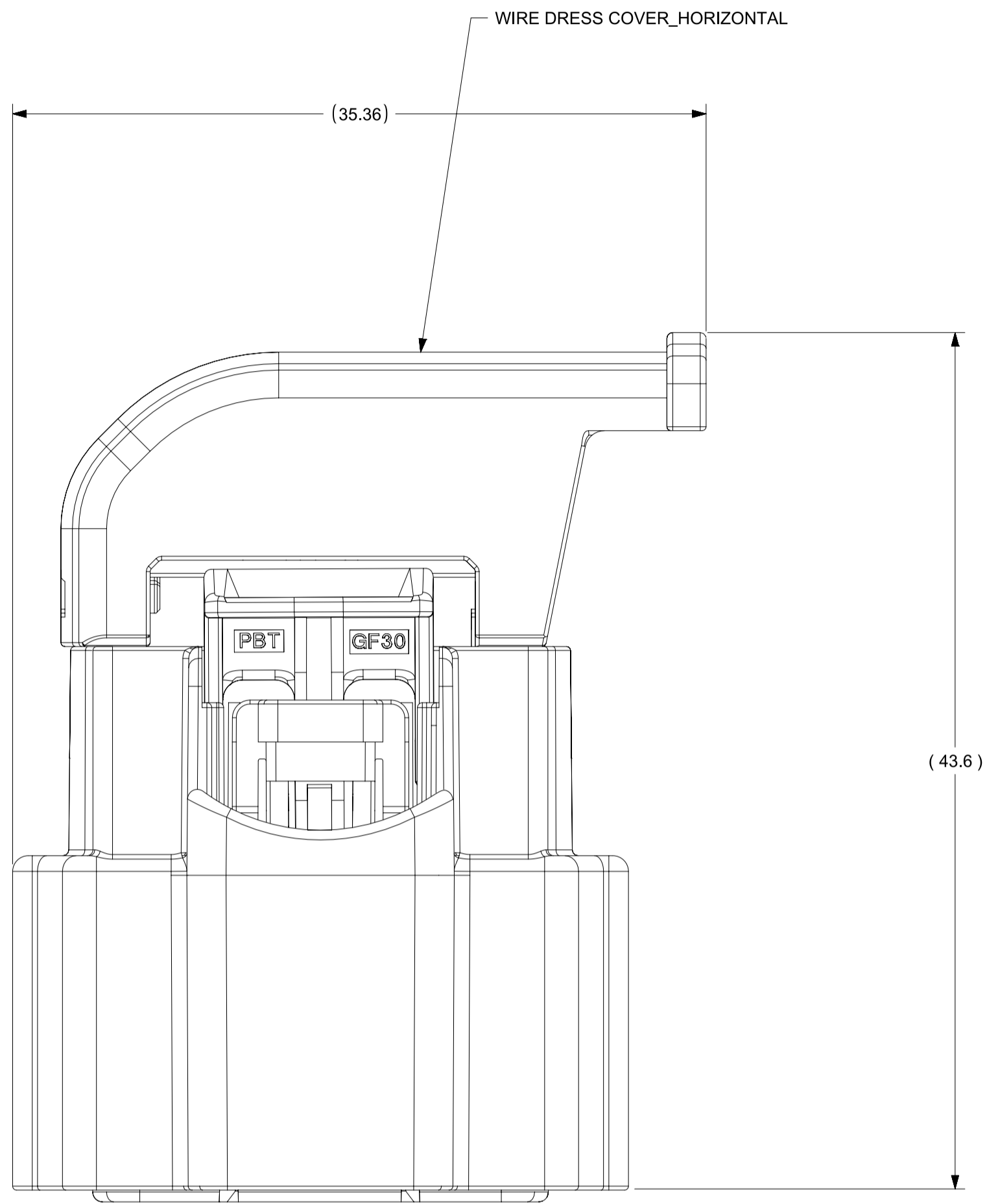
LASER MARKING APPLIED
TO THIS SURFACE



4
Ø31.90 MIN.
PASS THRU. DIA.

SYMBOLS	THIS DRAWING CONTAINS INFORMATION THAT IS PROPRIETARY TO MOLEX ELECTRONIC TECHNOLOGIES, LLC AND SHOULD NOT BE USED WITHOUT WRITTEN PERMISSION		CURRENT REV DESC:			molex			
	DIMENSION UNITS	SCALE							EC NO: CO-000000853
▽ = 0	mm	4:1	GENERAL TOLERANCES (UNLESS SPECIFIED)			PRODUCT SALES DRAWING			
▽ = 0	ANGULAR TOL ± 0.5°		4 PLACES ± 0	CHK'D: Fiona Chen	15-Apr-2022	DOCUMENT NUMBER	DOC TYPE	DOC PART	REVISION
▽ = 0	3 PLACES ± 0		2 PLACES ± 0	APPR: Colin Zhang	20-Apr-2022	SD-31404-811	PSD	001	G12
▽ = 0	2 PLACES ± 0		1 PLACE ± 0	INITIAL REVISION:		MATERIAL NUMBER			
▽ = 0	1 PLACE ± 0		0 PLACES ± 0	DRWN: Yan Allen	14-Feb-2022	CUSTOMER		SHEET NUMBER	
▽ = 0	0 PLACES ± 0		APPR: David Xie		24-Feb-2022	GENERAL MARKET		3 OF 4	
▽ = 0	DRAFT WHERE APPLICABLE MUST REMAIN WITHIN DIMENSIONS		THIRD ANGLE PROJECTION	DRAWING	SERIES	A1-SIZE		31404	

SHEET DESCRIPTION
WIRE DRESS COVER ASSEMBLY



SYMBOLS = 0 = 0 = 0 = 0 = 0 = 0 = 0 = 0 = 0 = 0	THIS DRAWING CONTAINS INFORMATION THAT IS PROPRIETARY TO MOLEX ELECTRONIC TECHNOLOGIES, LLC AND SHOULD NOT BE USED WITHOUT WRITTEN PERMISSION		CURRENT REV DESC: EC NO: CO-000000853 DRWN: Yan Allen 15-Apr-2022 CHK'D: Fiona Chen 15-Apr-2022 APPR: Colin Zhang 20-Apr-2022		 USCAR 0.64MM 8 WAY ADD NEW P/N: 314049184/9194		
	DIMENSION UNITS mm	SCALE 4:1	GENERAL TOLERANCES (UNLESS SPECIFIED) ANGULAR TOL ± 0.5°				
GENERAL TOLERANCES (UNLESS SPECIFIED) 4 PLACES ± 0 3 PLACES ± 0 2 PLACES ± 0 1 PLACE ± 0 0 PLACES ± 0		INITIAL REVISION: DRWN: Yan Allen 14-Feb-2022 APPR: David Xie 24-Feb-2022		DOCUMENT NUMBER SD-31404-811	DOC TYPE PSD	DOC PART 001	REVISION G12
DRAFT WHERE APPLICABLE MUST REMAIN WITHIN DIMENSIONS		THIRD ANGLE PROJECTION 	DRAWING A1-SIZE	SERIES 31404	MATERIAL NUMBER GENERAL MARKET	CUSTOMER GENERAL MARKET	SHEET NUMBER 4 OF 4