

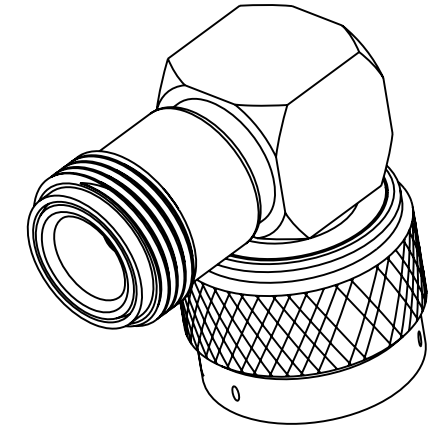
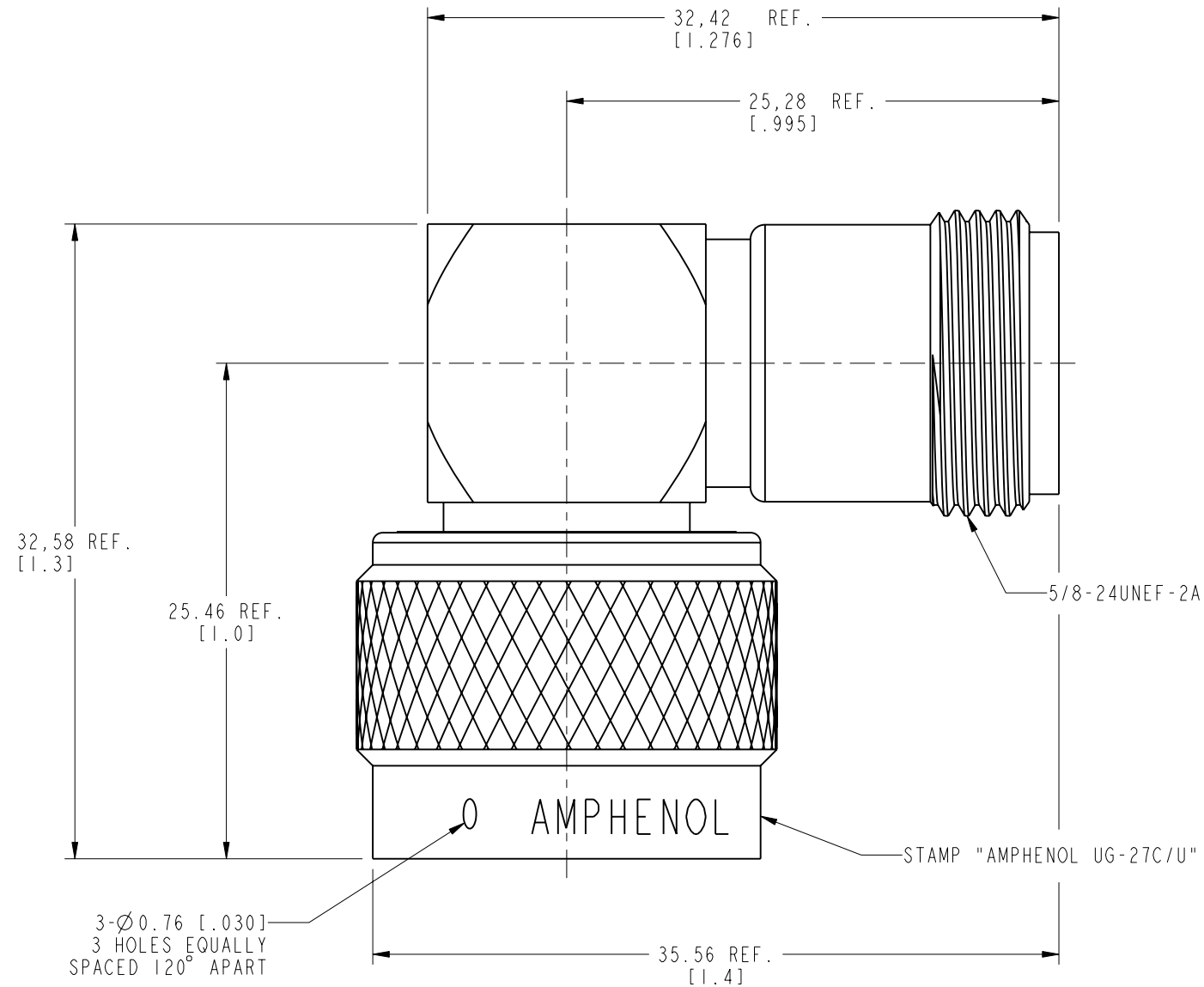
NOTES:

1. MATERIALS AND FINISHES:
 BODY - BRASS, NICKEL PLATED.
 CONTACT - BeCu, SILVER PLATED
 INSULATOR - PTFE
2. ELECTRICAL:
 A. IMPEDANCE: 50 OHM
3. MECHANICAL:
 A. DURABILITY: 500 CYCLES MIN.
 B. TEMPERATURE RANGE: -65° C TO +165° C

THIRD ANGLE PROJ.

REVISIONS

REV	DESCRIPTION	DATE	ECO	APPR
A	RELEASE TO MFG.	4/21/53	3115	DJP
S	ADDED SHEET 2	5/14/97	41954	CPM
T	STAMP "AMPHENOL" WAS "74868" \RD-DM12092001R3	26-Oct-12	49079	DH
U	CORRECT CUBE SHAPE, 32.42 REF. WAS 32.28 REF. 25.28 REF. WAS 22.86 REF., \RD-DM16062701S2	07-Jul-16	01663	KEN



SCALE 1.500

CUSTOMER OUTLINE DRAWING

ALL OTHER SHEETS ARE FOR INTERNAL USE ONLY

UNLESS OTHERWISE SPECIFIED, DIMENSIONS ARE IN METRIC AND TOLERANCES ARE: <0.5mm ±0.05mm 0.5 - 6mm ±0.1mm 6 - 30mm ±0.2mm 30 - 120mm ±0.3mm ANGLES ±1°	MATERIAL	DRAWN S. DUAN	DATE 07-Jul-16	TITLE TYPE N ADAPTOR RIGHT ANGLE (UG-27 C/U)	Amphenol RF www.amphenolrf.com
	REFERENCE EAR #3430 AND 82-213-1002	ENGINEER G. TILTON	DATE 4/24/97		
NOTICE - These drawings, specifications, or other data (1) are, and remain the property of Amphenol corp. (2) must be returned upon request; and (3) are confidential and not to be disclosed to any person other than those to whom they are given by Amphenol Corp. the furnishing of these drawings, specifications, or other data by Amphenol Corp., or to any other person to anyone for any purpose is not to be regarded by implication or otherwise in any manner licensing, granting rights to permitting such holder or any other person to manufacture, use or sell any product, process or design, patented or otherwise, that may in any way be related to or disclosed by said drawings, specifications, or other data.	CONFIGURATION LEVEL: In Work	APPROVED S. HSIEH	DATE 07-Jul-16	SCALE: 3.0:1.0 SHEET 2 OF 2	ITEM NO. 82-213
	FINISH	CAD FILE	DWG SIZE B	REV U	PART NO. 82-213