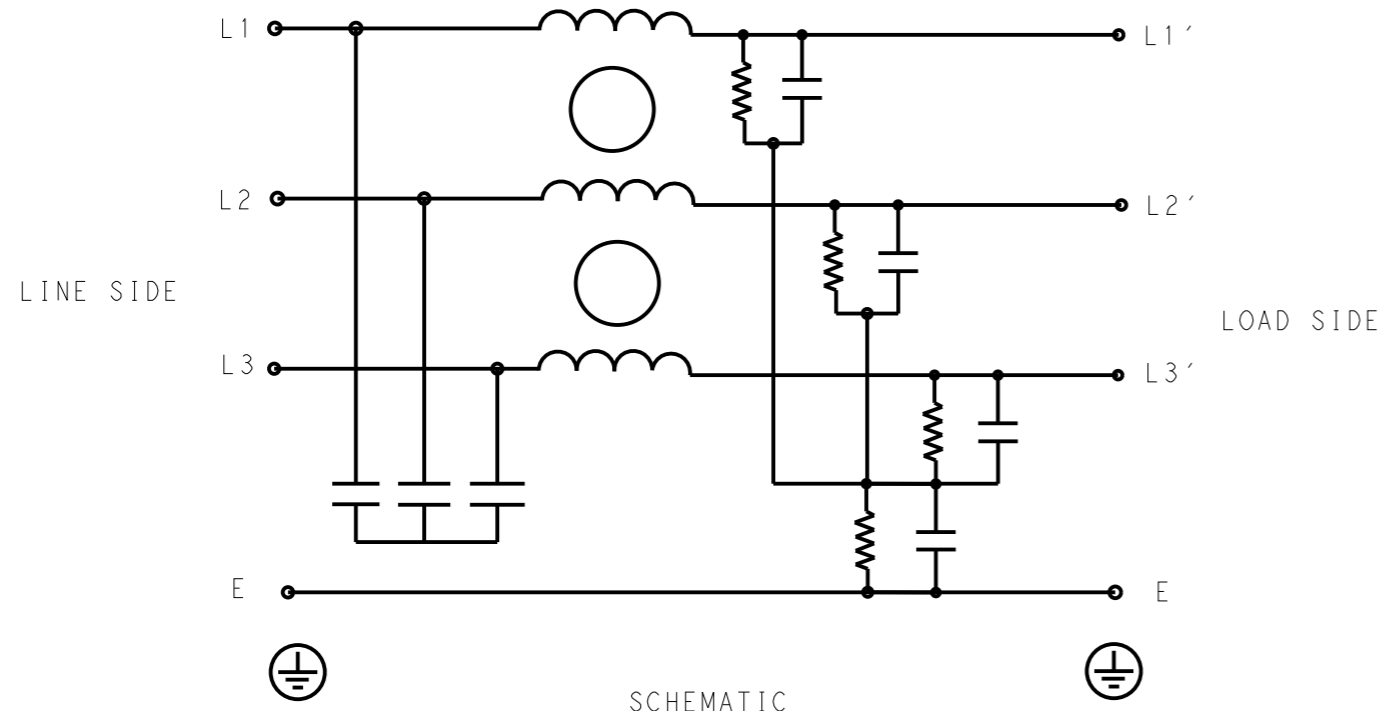


P	LTR	DESCRIPTION	DATE	DWN	APVD
	A	INITIAL RELEASE	07APR2021	SB	CB



SCHEMATIC

TYPICAL INSERTION LOSS
COMMON MODE 50/50Ω; DIFFERENTIAL MODE 50/50Ω

MHz	0.01	0.05	0.15	0.5	1	3	5	10	30
CM	21	32	36	69	58	56	50	30	17
DM	36	40	47	80	75	62	54	50	35

SAFETY ORGANIZATIONS

THIS FILTER WILL BE FORMALLY RECOGNIZED, CERTIFIED OR APPROVED BY THE LISTED AGENCY. THEREFORE, ALL TEST/REQUIREMENTS SPECIFIED IN THE LATEST REVISION OF THE FOLLOWING AGENCY STANDARDS WILL BE MET:

UL APPROVED 100A 440V 50Hz/60Hz 40°C
CSA APPROVED 100A 440V 50Hz/60Hz 40°C

OPERATING SPECIFICATION

LINE CURRENT/VOLTAGE: 100A, 440VAC
LINE FREQUENCY: 50/60Hz

MAXIMUM LEAKAGE CURRENT: 10mA @ 230VAC, 50Hz

OPERATING AMBIENT TEMPERATURE RANGE @ RATED CURRENT: -25°C TO +40°C

IN AN AMBIENT, T_a, HIGHER THAN 40°C, THE MAXIMUM OPERATING CURRENT, I_o, IS AS FOLLOWS:

$$I_o = I_r \sqrt{\frac{85 - T_a}{45}}$$

RELIABILITY SPECIFICATIONS

STORAGE TEMPERATURE: -40°C TO +85°C
HUMIDITY: 21 DAYS @ 40°C AND 95% RH

TEST SPECIFICATIONS

INDUCTANCE, NOMINAL: 0.1mH

CAPACITANCE @ 1kHz

LINE TO GROUND, NOMINAL: 0.88μF
LINE TO LINE, NOMINAL: 4.4μF

DISCHARGE RESISTOR

L/G I.R. 680KΩ 2W
L/L I.R. 3MΩ 2W
L/N I.R. XXX
N/G I.R. XXX

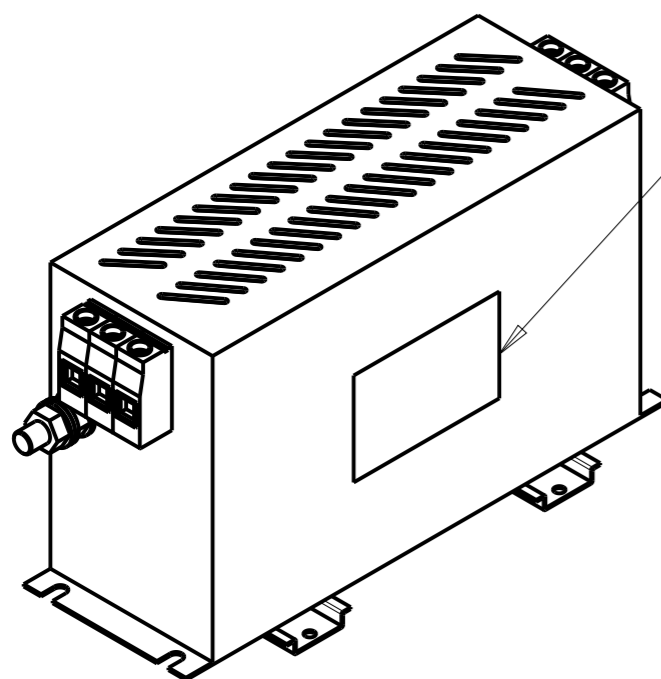
IR (NO DISCHARGE RESISTOR) 20°C, 50% RH AND 100VDC, MIN: 6MΩ

RECOMMENDED RECEIVING INSPECITON HIPOI

LINE TO GROUND FOR 1 MINUTE: 2632VDC
LINE TO LINE FOR 1 MINUTE: 1892VDC

FILTER APPROVAL

THE BEST WAY TO SELECT AND QUALIFY A FILTER IS FOR YOUR ENGINEERING TO TEST THE UNIT IN YOUR EQUIPMENT.



LABEL TO TE
MARKING SPECIFICATION

THIS DRAWING IS A CONTROLLED DOCUMENT.		DWN 07APR2021 BAPAT SAHAS		
DIMENSIONS: mm		CHK 07APR2021 CHRIS BOLLE		
TOLERANCES UNLESS OTHERWISE SPECIFIED:		APVD 07APR2021 CHRIS BOLLE	NAME POWER LINE FILTER FOR DIN 35 RAIL INSTALLATION 100KEMS10ABSDDM	
0 PLC ±-		PRODUCT SPEC	SIZE	
1 PLC ±0.5		APPLICATION SPEC	CAGE CODE	
2 PLC ±0.40			DRAWING NO	
3 PLC ±0.130			RESTRICTED TO	
4 PLC ±0.0500			A300779	
ANGLES ±-		WEIGHT	C-9-1609967-0	
MATERIAL			SCALE 1:3	
FINISH			SHEET 1 OF 2	
			REV A	
		CUSTOMER DRAWING		

© 2020 TE Connectivity. All Rights Reserved.

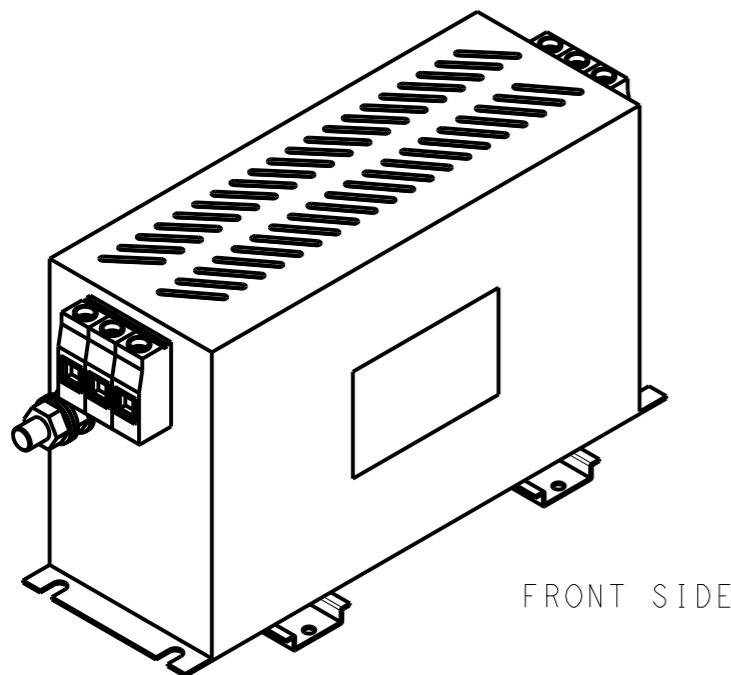
NOTE 1 GROUND CONNECTION:
 FOR ELECTRICAL SAFETY AND FILTER PERFORMANCE
 UNIT MUST HAVE A GOOD GROUND CONNECTION.
 TORQUE OUTER TERMINAL SCREWS: 2 Nm / 18 in.lbs
 TORQUE GROUND NUTS: 4-10Nm

NOTE 2 INPUT OUTPUT CONNECTION TERMINAL
 AWG SIZE: 8-4 AWG
 WIRE SECTION: 25 mm²
 THREADED BOLT SIZE FOR GROUND: M10

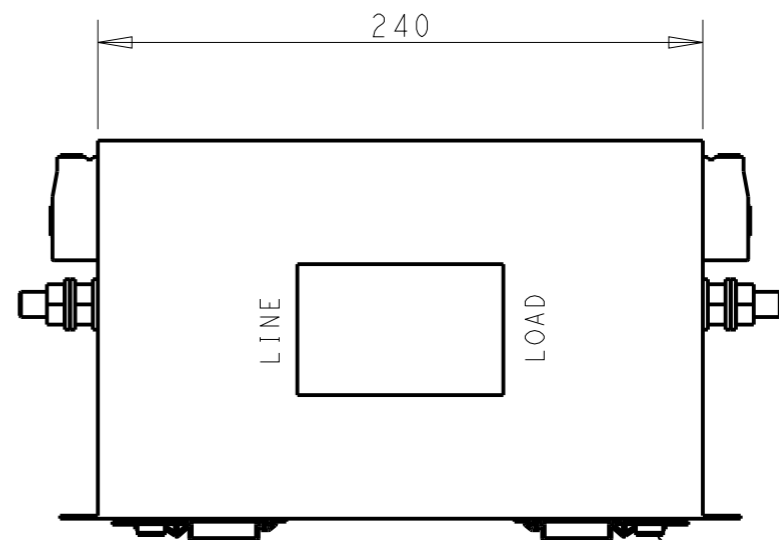
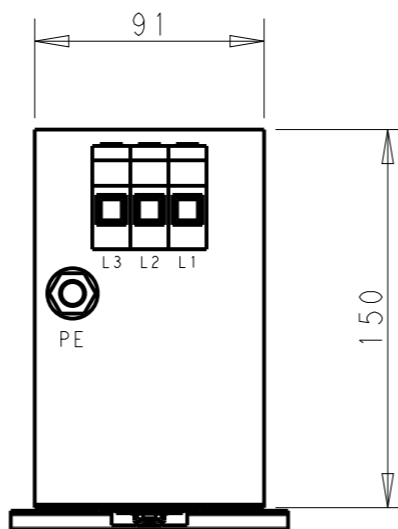
NOTE 3 SUPPLIED WITH DIN RAIL BRACKET

NOTE 4 DRAWINGS SHOWS DIN RAIL FOR REFERENCE ONLY

REVISIONS					
P	LTR	DESCRIPTION	DATE	DWN	APVD
		SEE SHEET 1			

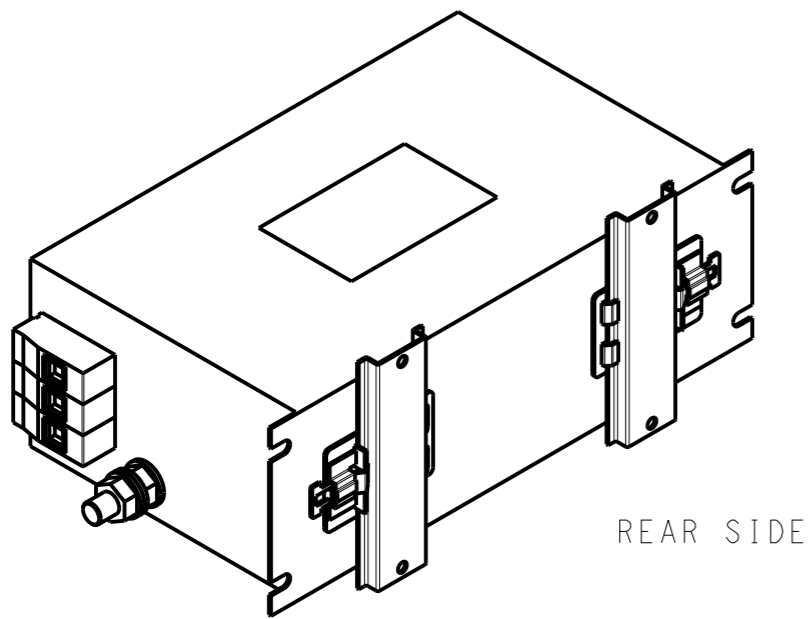


FRONT SIDE

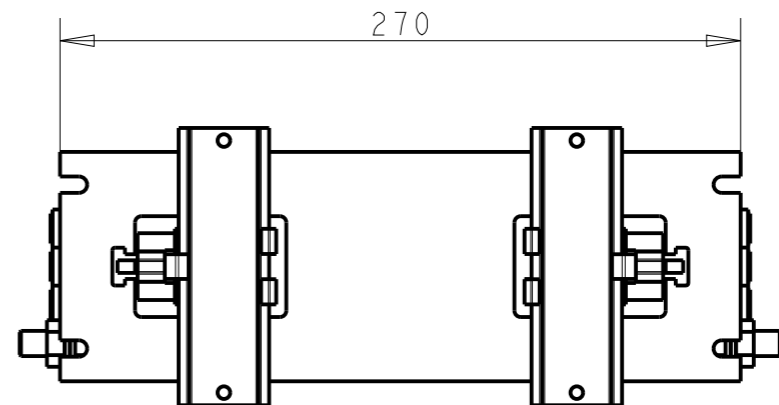


DIN RAIL CHANNEL

DIN 35 BRACKET



REAR SIDE



THIS DRAWING IS A CONTROLLED DOCUMENT.		DWN BAPAT SAHAS 07APR2021		
		CHK CHRIS BOLLE 07APR2021		
		APVD CHRIS BOLLE 07APR2021	NAME POWER LINE FILTER FOR DIN 35 RAIL INSTALLATION 100KEMS10ABSDDM	
DIMENSIONS: mm		TOLERANCES UNLESS OTHERWISE SPECIFIED:	PRODUCT SPEC -	
		0 PLC ±-	APPLICATION SPEC -	
		1 PLC ±0.5	WEIGHT -	
MATERIAL -		2 PLC ±0.40	SIZE A300779	
		3 PLC ±0.130	CAGE CODE C-9-1609967-0	
		4 PLC ±0.0500	DRAWING NO -	
		ANGLES ±-	RESTRICTED TO -	
		FINISH -	SCALE 1:3	
			SHEET 2 OF 2	
			REV A	
			CUSTOMER DRAWING	