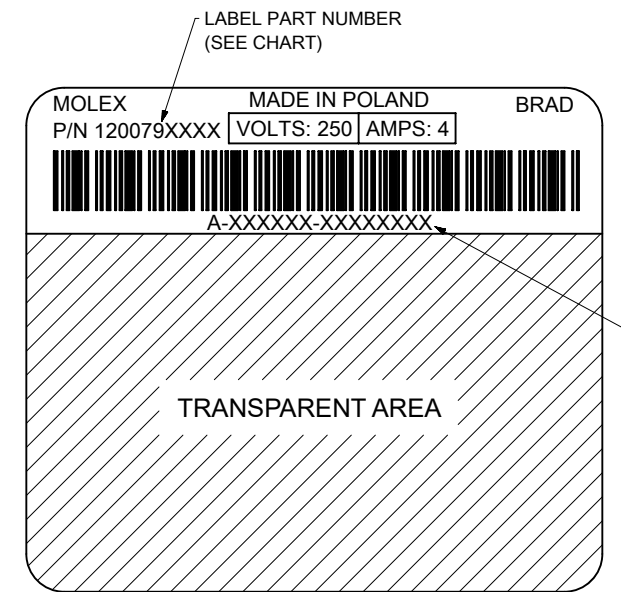
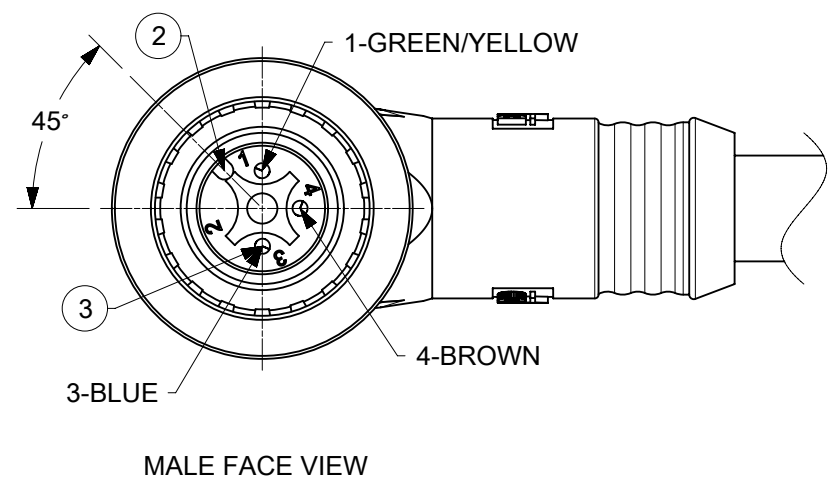
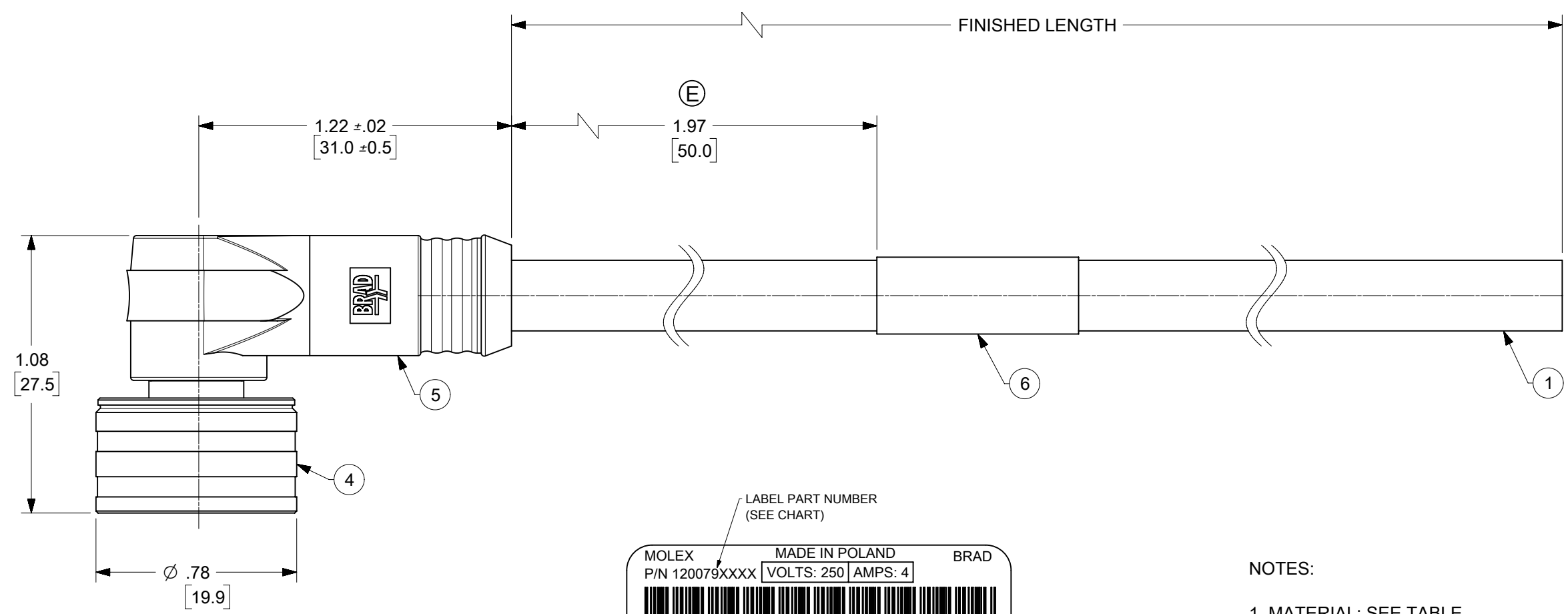


MATERIAL NO.	ENGINEERING NO.	FINISHED LENGTH
1200795131	1200795131	0.50 M (1.64 FT)

CABLE LENGTH TOLERANCES	
>.3M [1FT]:	+19mm-0 [+ .75in-0]
.3 - .9M [1 - 3FT]:	+44.5mm-0 [+1.75in-0]
.9 - 1.8M [3 - 6FT]:	+55.6mm-0 [+2.19in-0]
1.8 - 3.7M [6 - 12FT]:	+88.9mm-0 [+3.50in-0]
3.7 - 7.3M [12 - 24FT]:	+165.1mm-0 [+6.50in-0]
7.3-14.6M [24 - 48FT]:	+317.5mm-0 [+12.50in-0]
14.6 - 30.5M [48-100FT]:	+622.3mm-0 [+24.50in-0]
OVER 30M [100FT]	+2% OF FINISHED LENGTH



WRAP LABEL DETAIL

NOTES:

- MATERIAL: SEE TABLE
- FINISHES: SEE TABLE
- ELECTRICAL SPECIFICATIONS
VOLT AGE RATING: 250V AC/DC
CURRENT RATING: 4 AMPS
DIELECTRIC WITHSTAND TEST: LIVE POLES AND GROUND SHALL BE TESTED AT 1500V FOR 1 MINUTE RESULTING IN NO FAILURE OR BREAKDOWN.
ELECTRICAL CONTINUITY: APPLIED BETWEEN EACH CONTACT AND THE RESPECTIVE CONDUCTOR END OF CABLE
- PROTECTION: IP67 WHEN FULLY MATED
- TEMPERATURE: -40°C TO +105°C
- DIMENSIONS SHOWN ARE FOR REFERENCE ONLY UNLESS OTHERWISE SPECIFIED
- CABLES ARE TO BE BULK PACKED WITH NO CABLE TIES

ITEM	DESCRIPTION	MATERIAL	FINISH
6	WRAP LABEL	VINYL	BLACK/YELLOW
5	OVERMOLD	PUR	YELLOW
4	ULTRA-LOCK COUPLING SLEEVE	BRASS	NICKEL PLATED
3	PIN CONTACT	Cu ALLOY	GOLD PLATED
2	INSERT A-CODE	PUR	BLACK
1	CABLE 3x0.75mm ²	TPE	BLACK

SYMBOLS	THIS DRAWING CONTAINS INFORMATION THAT IS PROPRIETARY TO MOLEX ELECTRONIC TECHNOLOGIES, LLC AND SHOULD NOT BE USED WITHOUT WRITTEN PERMISSION				
	DIMENSION UNITS	SCALE			
▽ = 0	HYBRID	2:1	EC NO: 618084	2019/05/28	1200790335
▽ = 0	GENERAL TOLERANCES (UNLESS SPECIFIED)		DRWN: MZIELINSKI	2019/06/03	
▽ = 0	ANGULAR TOL ± °		CHK'D: RSTONE	2019/06/12	PSD 000 E
▽ = 0	4 PLACES ±		APPR: BWOODMAN		
▽ = 0	3 PLACES ±		INITIAL REVISION:		
▽ = 0	2 PLACES ±		DRWN: MZIELINSKI	2018/10/04	
▽ = 0	1 PLACE ±		APPR: BWOODMAN	2018/10/08	
▽ = 0	0 PLACES ±		THIRD ANGLE PROJECTION		
▽ = 0	DRAFT WHERE APPLICABLE MUST REMAIN WITHIN DIMENSIONS		DRAWING	SERIES	MATERIAL NUMBER
▽ = 0			B-SIZE	120079	SEE CHART