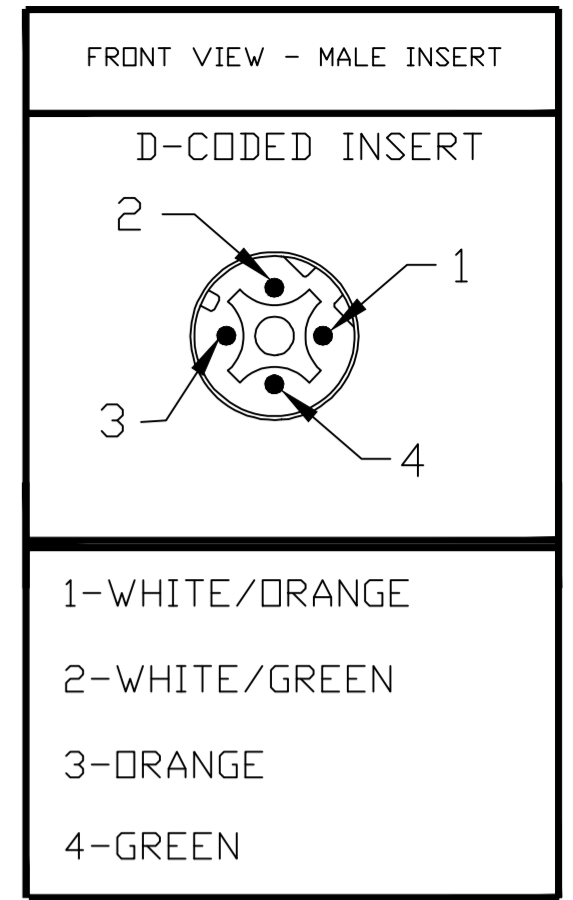


PART NO.	ENGINEERING NO.	FINISHED LENGTH
1201080184	E11A03004M060	6.0M [19FT 8IN]
1201080185	E11A03004M020	2.0M [6FT 7IN]
1201080649	E11A03004M100	10.0M [32FT 10IN]
1201080746	E11A03004M250	25.0M [82FT 0IN]

(B) CABLE LENGTH TOLERANCES

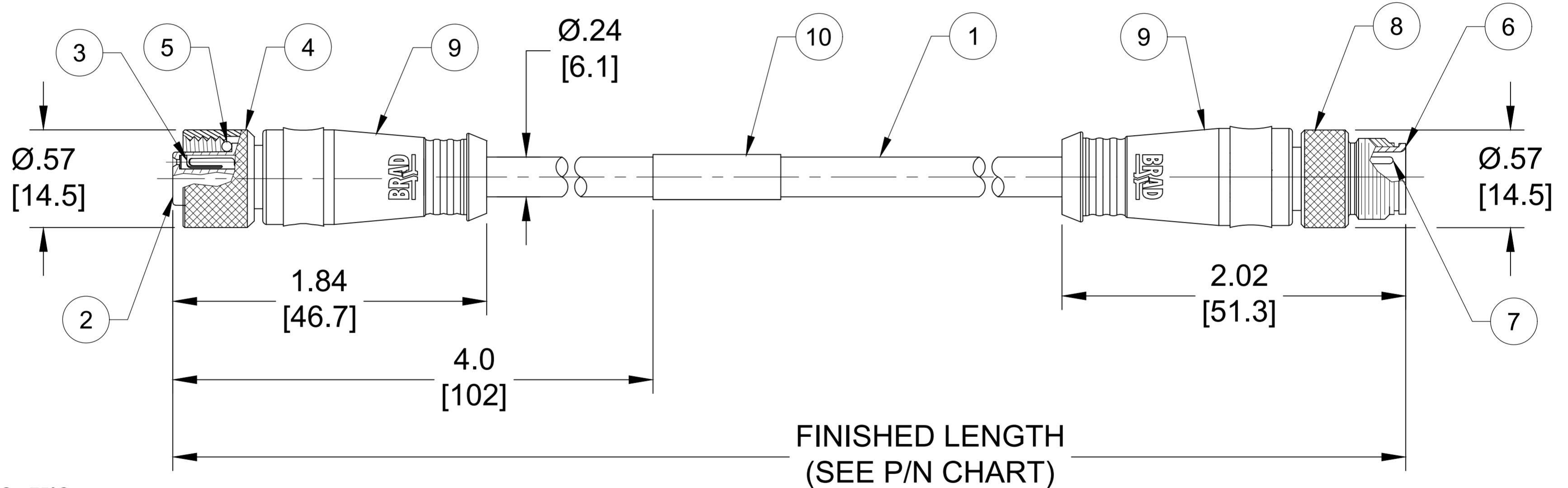
<.3M [1FT]: +19mm-0 [+ .75in-0]
 .3 - .9M [1 - 3FT]: +44.5mm-0 [+1.75in-0]
 .9 - 1.8M [3 - 6FT]: +55.6mm-0 [+2.19in-0]
 1.8 - 3.7M [6 - 12FT]: +88.9mm-0 [+3.50in-0]
 3.7 - 7.3M [12 - 24FT]: +165.1mm-0 [+6.50in-0]
 7.3-14.6M [24 - 48FT]: +317.5mm-0 [+12.50in-0]
 14.6 - 30.5M [48-100FT]: +622.3mm-0 [+24.50in-0]
 OVER 30M [100FT] +2% OF FINISHED LENGTH



PART NUMBER LEGEND

E11A03004M060

FINISHED LENGTH:
 M005= 0.5 METER
 M010= 1.0 METER
 M100= 10.0 METERS



- NOTES:
1. MATERIAL: AS NOTED
 2. FINISH: AS NOTED
 3. ELECTRICAL:
VOLTAGE: 250V
CURRENT: 4A
 4. TEMP RATING: -20°C TO +75°C
 5. PROTECTION: IP67 (WHEN MATED)
 6. COUPLING THREAD: M12 X 1.0
 7. ALL DIMS ARE FOR REFERENCE UNLESS TOLERANCED OR NOTED OTHERWISE

PRE-RELEASE
REFERENCE
USE ONLY

ROLLING BEND: 1 MILLION CYCLES AT 4 INCH DIAMETER MANDREL
 10 MILLION CYCLE TEST 8 INCH DIAMETER MANDREL
 TORSIONAL FLEX: 3 MILLION CYCLES (PER MIL C-13777G)

ITEM	DESCRIPTION	MATERIAL	FINISH
10	WRAP LABEL	VINYL	BLACK/YELLOW
9	OVERMOLDS	PUR	BLACK
8	COUPLING, MALE	BRASS	TEFLON/NICKEL
7	CONTACT PIN	COPPER ALLOY	GOLD PLATED
6	MALE INSERT 4P	PUR	BLACK
5	O-RING	VITON	RED
4	COUPLING, FEMALE	BRASS	TEFLON/NICKEL
3	CONTACT SOCKET	COPPER ALLOY	GOLD PLATED
2	FEMALE INSERT 4P	PUR	BLACK
1	CABLE, 2PR, 24AWG (FLEX)	TPE JACKET	TEAL

THIS DRAWING CONTAINS INFORMATION THAT IS PROPRIETARY TO MOLEX ELECTRONIC TECHNOLOGIES, LLC AND SHOULD NOT BE USED WITHOUT WRITTEN PERMISSION

FUNCTIONAL SYMBOLS	DIMENSION UNITS	SCALE	CURRENT REV DESC: CORRECT CABLE LENGTH TOLERANCE TABLE <.3M WAS >.3M
FA=0	INCH/MM	NTS	
FC=0	GENERAL TOLERANCES (UNLESS SPECIFIED)		
FD=0	mm	INCH	
DIVISIONAL SYMBOLS	4 PLACES	±----	EC NO: 666237
	3 PLACES	±----	DRWN: RSTONE 2021/06/02
	2 PLACES	±----	CHK'D: CCHRSTKA 2021/06/08
	1 PLACE	±----	APPR: ----
	0 PLACES	±----	INITIAL REVISION:
	ANGULAR TOL ± ---- °		DRWN: RSTONE 2020/02/18
	DRAFT WHERE APPLICABLE MUST REMAIN WITHIN DIMENSIONS	THIRD ANGLE PROJECTION	APPR: BWOODMAN 2020/02/26

DRAWING C-SIZE

SERIES 120108

DOCUMENT NUMBER 1201080185

DOC TYPE/DOC PART REVISION PSD 000 B

MATERIAL NUMBER SEE P/N LEGEND

CUSTOMER GENERAL MARKET

SHEET NUMBER 1 OF 1