

6

5

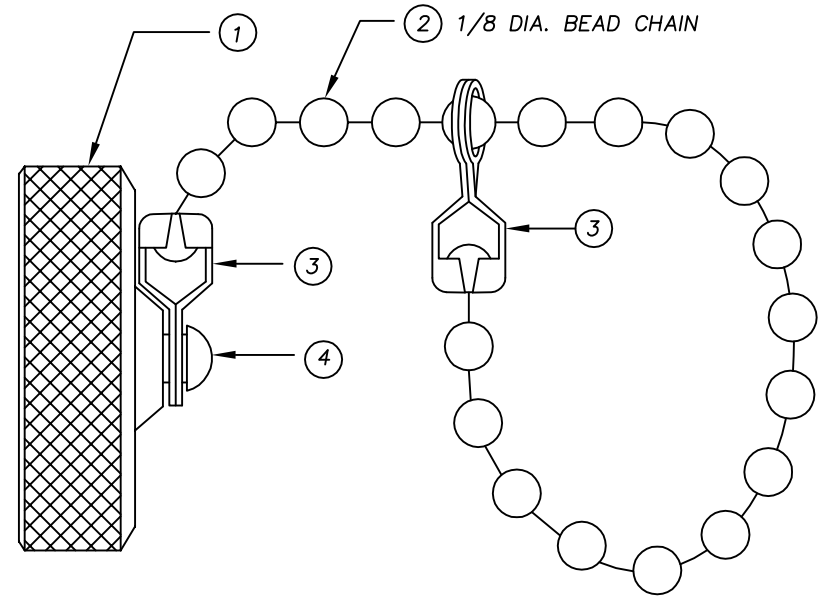
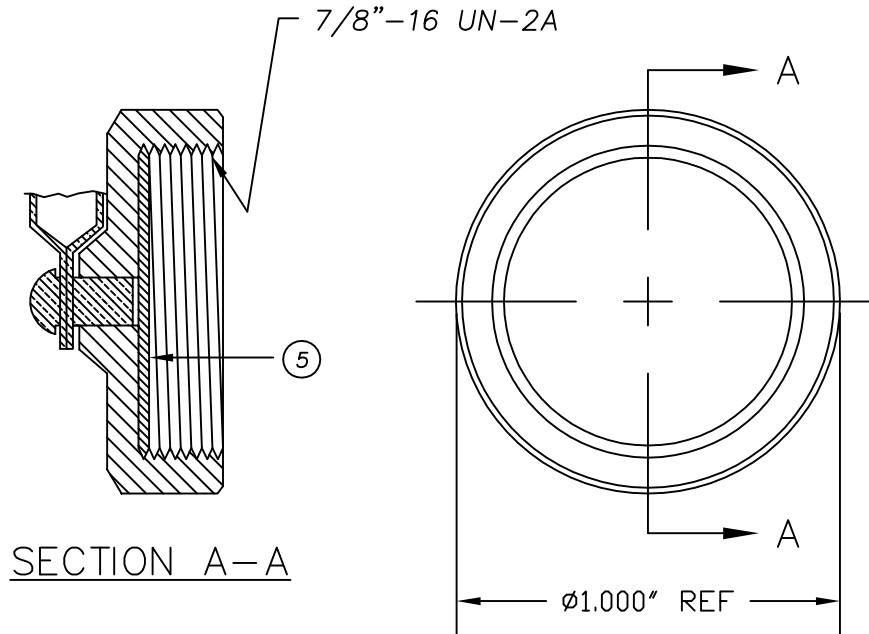
4

3

2

1

REF.	DESCRIPTION
1	303 GRAY NYLON
2	6 INCH 1/8 DIA. STAINLESS STEEL BEAD CHAIN
3	STAINLESS STEEL CHAIN FASTENER
4	#4X3/16 DRIVE SCREW
5	NEOPRENE GASKET



PART #	ENGINEERING NUMBER
1302011112	65-0086N

<b>RELEASE DRAWING</b> EC NO: WNA2010-0134 8/28/09 DRWN: TVICKERS CHKD: B.WOODMA 2009/08/27 APPR: DTITUS 2009/08/31	<b>QUALITY SYMBOLS</b> ▽=0 ∇=0	<b>GENERAL TOLERANCES (UNLESS SPECIFIED)</b>		<b>DIMENSION STYLE</b> ----	<b>SCALE</b> 2:1	<b>DESIGN UNITS</b> INCH	<b>THIRD ANGLE PROJECTION</b>	
		4 PLACES ±--- ±---	mm INCH	<b>DRAWN BY</b> DATE T.V. 2009/08/27	<b>TITLE</b> MINI-CHANGE CLOS CAP FF A-SIZE INTERNAL THREAD WITH BEAD CHAIN AND LOOP			
		3 PLACES ±--- ±---	2 PLACES ±--- ±---	<b>CHECKED BY</b> DATE B.WOODMA 2009/08/27	<b>MOLEX INCORPORATED</b>			
		1 PLACE ±--- ±---	<b>ANGULAR</b> ±---°	<b>APPROVED BY</b> DATE DTITUS 2009/08/28	<b>MATERIAL NO.</b> SEE CHART	<b>DOCUMENT NO.</b> SD-130046-010	<b>SHEET NO.</b> 1 OF 1	
<b>DRAFT WHERE APPLICABLE MUST REMAIN WITHIN DIMENSIONS</b>		<b>THIS DRAWING CONTAINS INFORMATION THAT IS PROPRIETARY TO MOLEX INCORPORATED AND SHOULD NOT BE USED WITHOUT WRITTEN PERMISSION</b>						

6

5

4

3

2

1