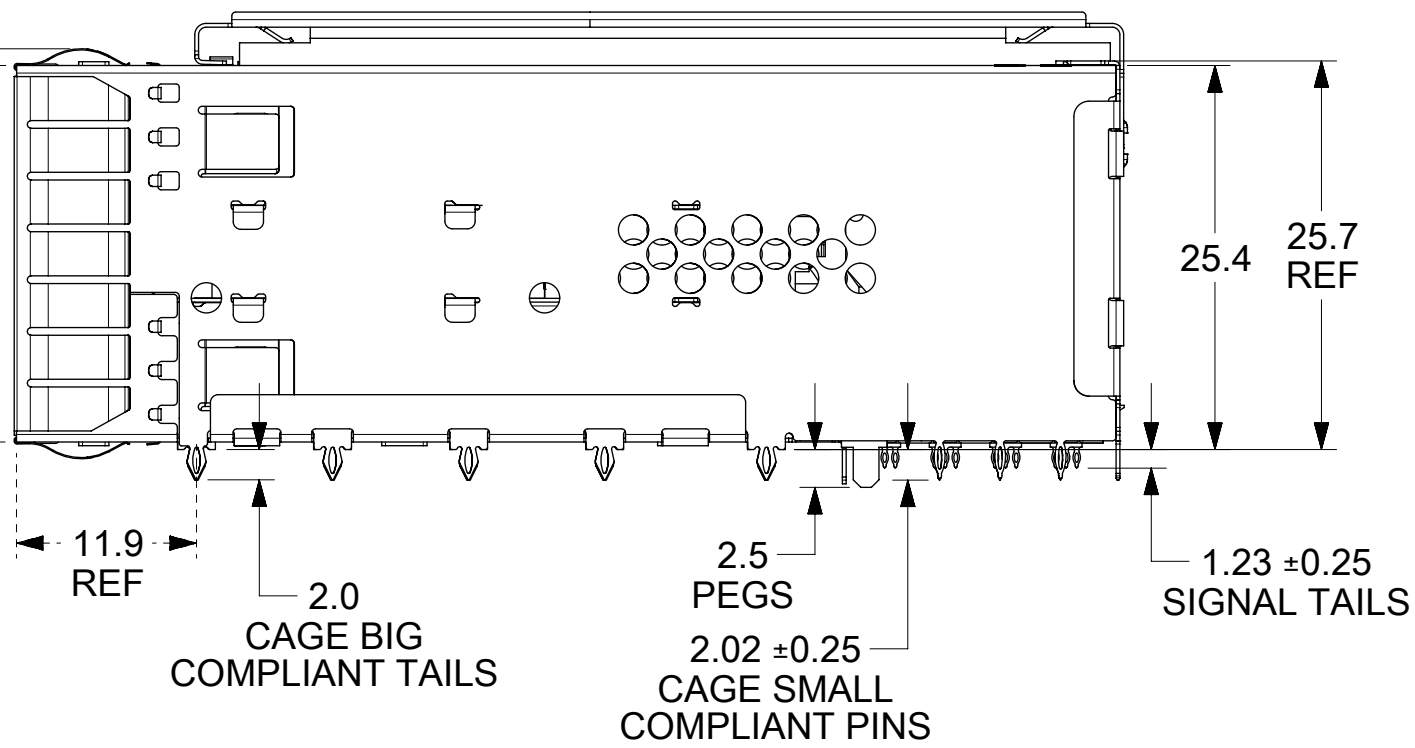


1.1 ^{+0.5}/_{-0.1} (2X)
FROM CAGE BODY

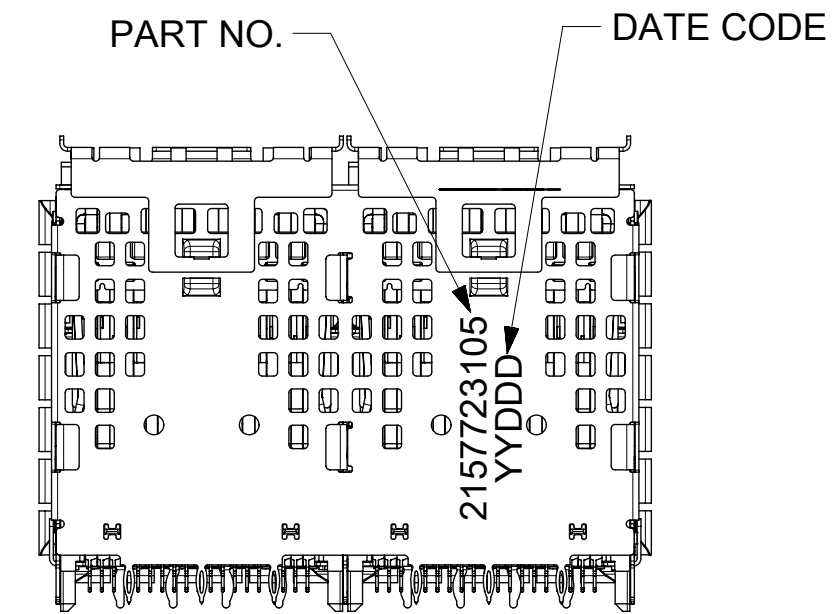
1.1 ^{+0.5}/_{-0.1} (2X)
FROM CAGE BODY

24.9 ±0.2
CAGE BODY

19.0 REF
TYP



1.23 ±0.25
SIGNAL TAILS



NOTES:

- MATERIAL:
CAGE: STAINLESS STEEL
SPRING FINGERS: COPPER ALLOY
CONNECTOR HOUSING: GLASS FILLED LIQUID CRYSTAL POLYMER (LCP), COLOR: BLACK 94V-0
TERMINALS: HIGH PERFORMANCE COPPER ALLOY
INTERNAL HEATSINKS AND TOP HEATSINKS: ANNOXIDIZED ALUMINUM
INTERNAL HEATSINK CLIPS AND TOP HEATSINK CLIPS : STAINLESS STEEL
- FINISH:
SPRING FINGERS: 0.5 MICROMETER MINIMUM NICKEL
TERMINALS:
CONTACT AREA: 0.76 MICROMETER MIN. GOLD OVER 3.8 MICROMETER MIN. NICKEL.
COMPLIANT AREA: 0.76 MICROMETER MIN. MATTE TIN OVER 1.27 MICROMETER MIN. NICKEL.
- ALL SURFACES TO BE CLASS 'C' OR BETTER PER MOLEX COSMETIC SPECIFICATION ES-171233-0001
- CONNECTOR INTENDED TO MATE WITH PLUG CABLE SERIES 74757 AND 74758.
- DATE CODE LOCATION SHOWN, DATE CODE FORMAT: YYDDD
YY: YEAR, DDD: DAY OF THE YEAR

FUNCTIONAL SYMBOLS FA = 0 FE = 0 FP = 0	THIS DRAWING CONTAINS INFORMATION THAT IS PROPRIETARY TO MOLEX ELECTRONIC TECHNOLOGIES, LLC AND SHOULD NOT BE USED WITHOUT WRITTEN PERMISSION		CURRENT REV DESC:			
	DIMENSION UNITS	SCALE				
	mm	2:1				
	GENERAL TOLERANCES (UNLESS SPECIFIED)					
DIVISIONAL SYMBOLS	ANGULAR TOL ± 0.5°		EC NO: 710361			
	4 PLACES ±	DRWN: WZHAO21		2021/06/29		
	3 PLACES ±	CHK'D: WZHAO21		2022/06/15		
	2 PLACES ± 0.13	APPR: WZHAO21		2022/06/15		
1 PLACE ± 0.25	INITIAL REVISION:					
0 PLACES ±	DRWN: TMARRI		2021/01/06			
DRAFT WHERE APPLICABLE MUST REMAIN WITHIN DIMENSIONS		THIRD ANGLE PROJECTION		DRAWING	SERIES	
		C-SIZE		215772		
DOCUMENT STATUS		P1	RELEASE DATE	2022/06/15 01:08:52		

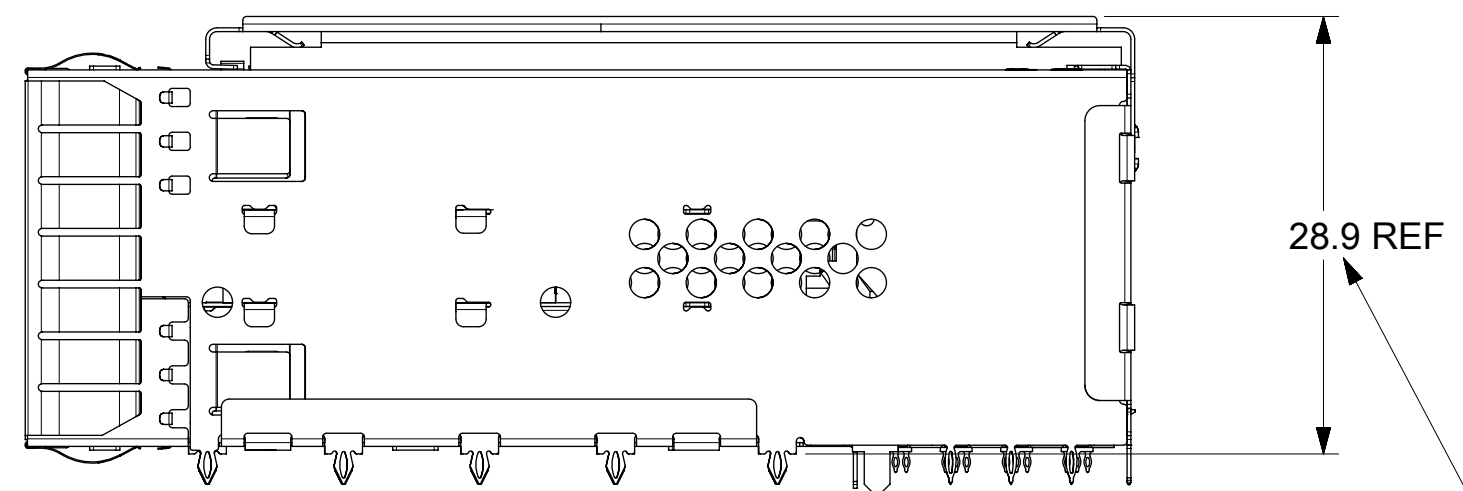
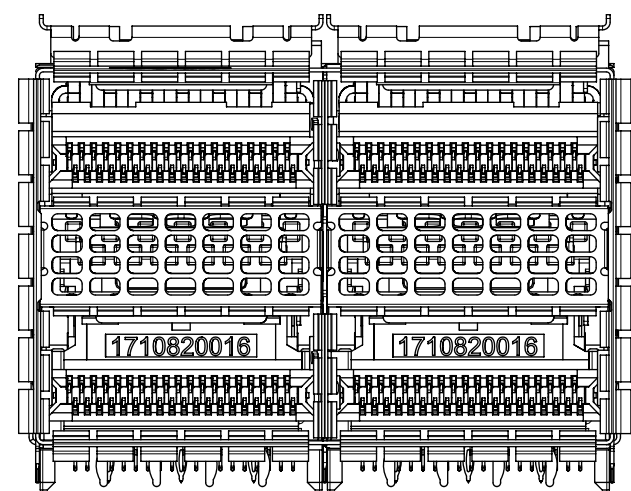
molex

ZQSFP 56G 2X2 WITH TOP HS

PRODUCT CUSTOMER DRAWING

DOCUMENT NUMBER	DOC TYPE	DOC PART	REVISION
2157723105	PSD	000	A1

MATERIAL NUMBER	CUSTOMER	SHEET NUMBER
		1 OF 5



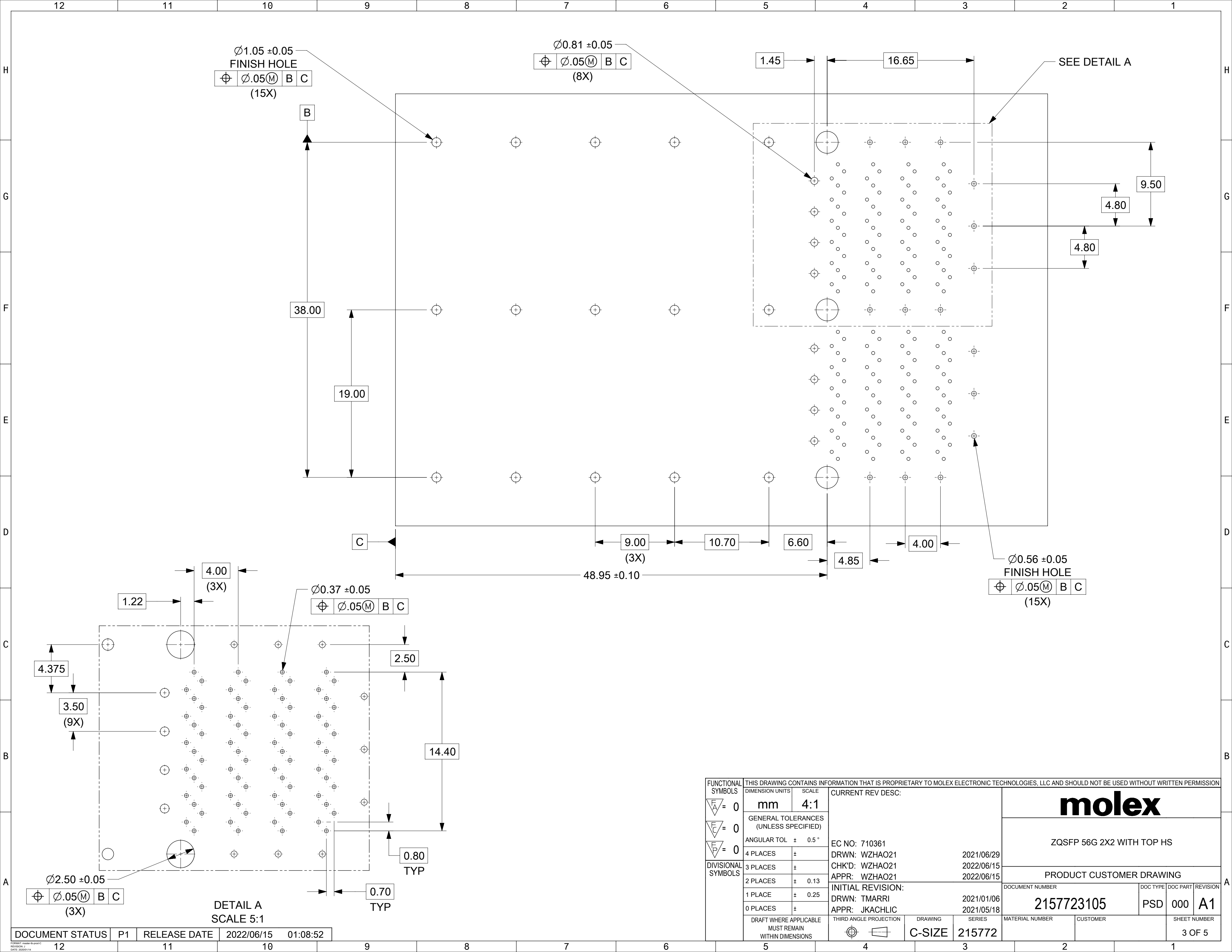
DIMENSION MAY INCREASE WITH PLUG MODULE INSERTED,
MAX. HEIGHT SHOULD LESS THAN 31.0MM

FUNCTIONAL SYMBOLS	THIS DRAWING CONTAINS INFORMATION THAT IS PROPRIETARY TO MOLEX ELECTRONIC TECHNOLOGIES, LLC AND SHOULD NOT BE USED WITHOUT WRITTEN PERMISSION		
	DIMENSION UNITS	SCALE	CURRENT REV DESC:
$\frac{F}{A} = 0$	mm	2:1	EC NO: 710361 DRWN: WZHAO21 2021/06/29 CHK'D: WZHAO21 2022/06/15 APPR: WZHAO21 2022/06/15
$\frac{F}{C} = 0$	GENERAL TOLERANCES (UNLESS SPECIFIED)		
$\frac{F}{P} = 0$	ANGULAR TOL $\pm 0.5^\circ$		INITIAL REVISION: DRWN: TMARRI 2021/01/06 APPR: JKACHLIC 2021/05/18
DIVISIONAL SYMBOLS	4 PLACES \pm	3 PLACES \pm	
	2 PLACES ± 0.13	1 PLACE ± 0.25	DOCUMENT NUMBER
	0 PLACES \pm		2157723105
	DRAFT WHERE APPLICABLE MUST REMAIN WITHIN DIMENSIONS	THIRD ANGLE PROJECTION	DOC TYPE
			PSD
		DRAWING	DOC PART
		C-SIZE	000
		SERIES	REVISION
		215772	A1
		MATERIAL NUMBER	SHEET NUMBER
		CUSTOMER	2 OF 5

molex

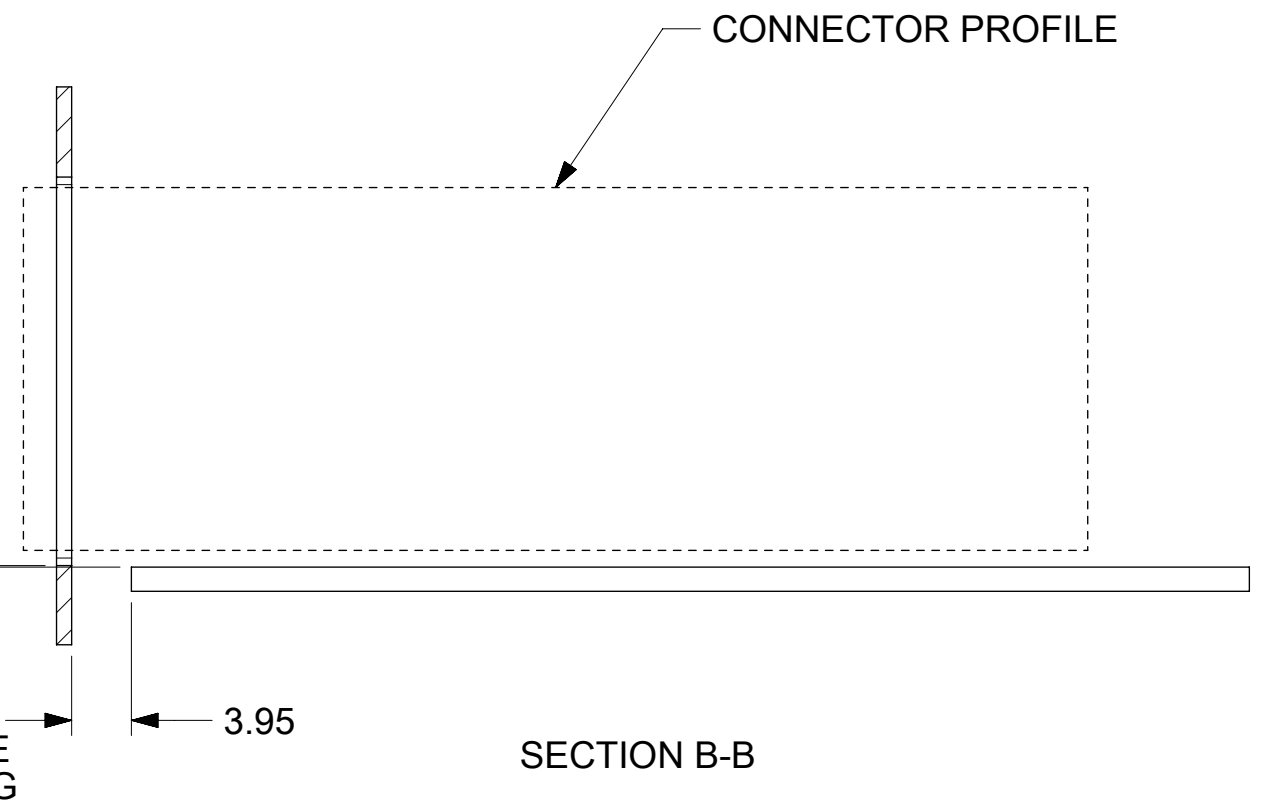
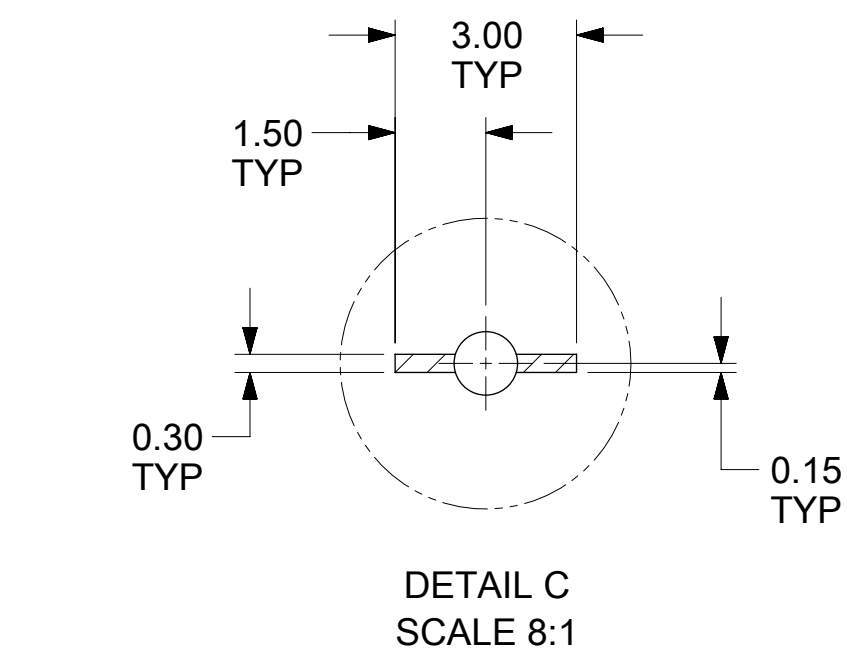
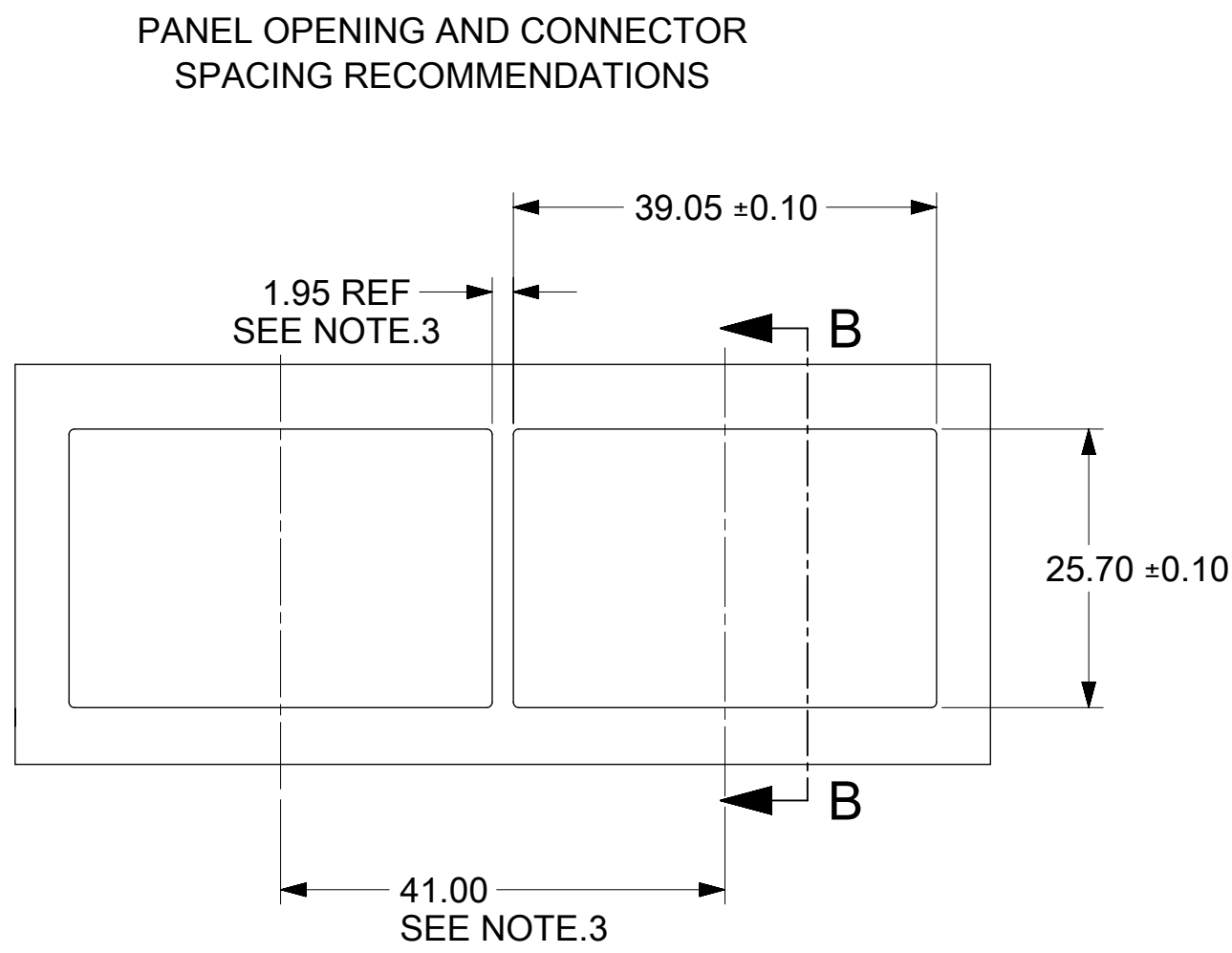
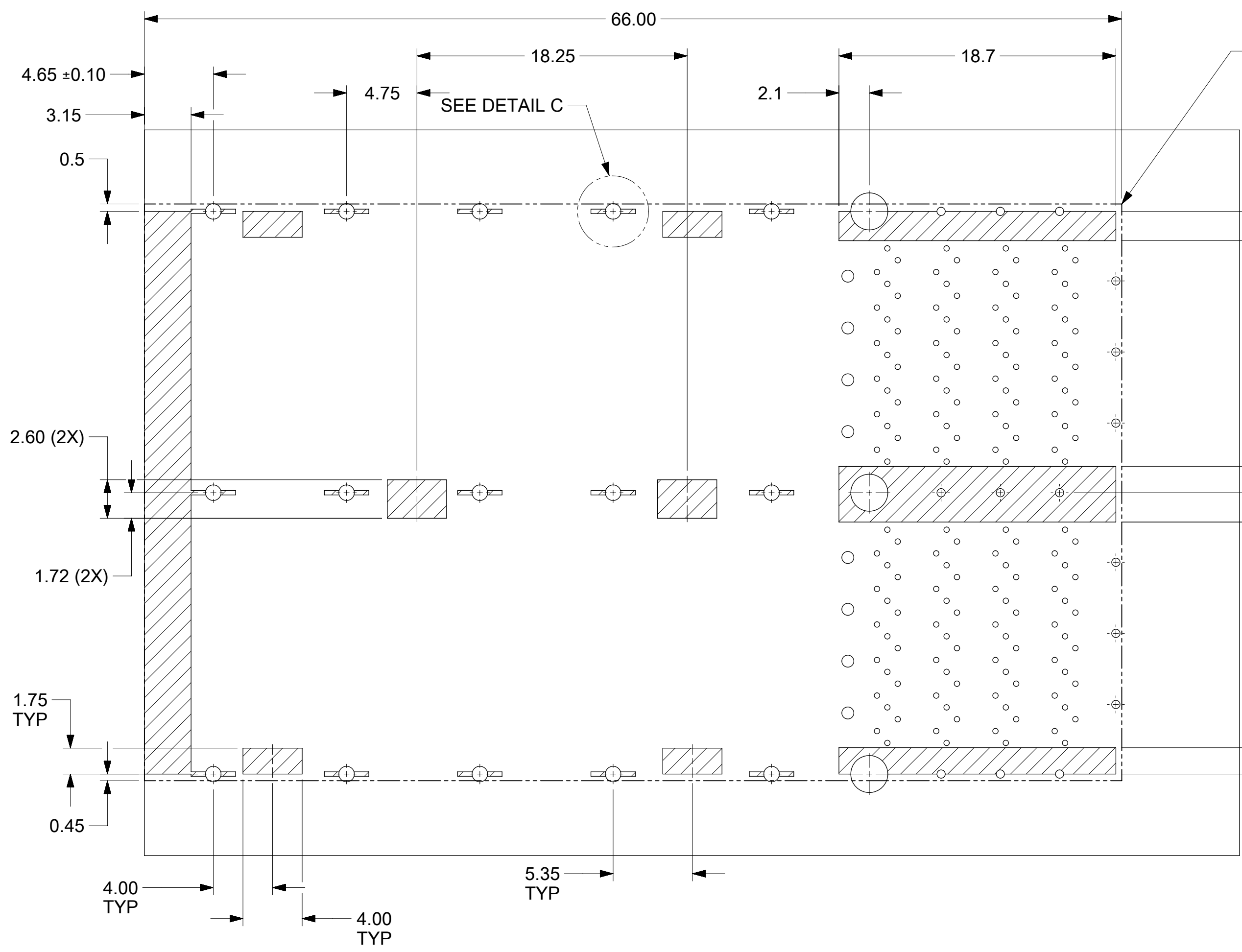
ZQSFP 56G 2X2 WITH TOP HS

PRODUCT CUSTOMER DRAWING



FUNCTIONAL SYMBOLS	THIS DRAWING CONTAINS INFORMATION THAT IS PROPRIETARY TO MOLEX ELECTRONIC TECHNOLOGIES, LLC AND SHOULD NOT BE USED WITHOUT WRITTEN PERMISSION		
	DIMENSION UNITS	SCALE	CURRENT REV DESC:
$\frac{F}{A} = 0$	mm	4:1	EC NO: 710361 DRWN: WZHAO21 2021/06/29 CHK'D: WZHAO21 2022/06/15 APPR: WZHAO21 2022/06/15
$\frac{F}{C} = 0$	GENERAL TOLERANCES (UNLESS SPECIFIED)		
$\frac{F}{P} = 0$	ANGULAR TOL $\pm 0.5^\circ$		INITIAL REVISION: DRWN: TMARRI 2021/01/06 APPR: JKACHLIC 2021/05/18
DIVISIONAL SYMBOLS	4 PLACES	\pm	
	3 PLACES	\pm	DOCUMENT NUMBER: 2157723105 DOC TYPE: PSD DOC PART: 000 REVISION: A1
	2 PLACES	± 0.13	
	1 PLACE	± 0.25	MATERIAL NUMBER: 215772 CUSTOMER: C-SIZE
	0 PLACES	\pm	
DRAFT WHERE APPLICABLE MUST REMAIN WITHIN DIMENSIONS		THIRD ANGLE PROJECTION	SHEET NUMBER: 3 OF 5

DOCUMENT STATUS	P1	RELEASE DATE	2022/06/15 01:08:52
-----------------	----	--------------	---------------------



- NOTES:**
1. THE ENTIRE AREA UNDER THE CONNECTOR IS A COMPONENT KEEP OUT ZONE.
 2. CROSS-HATCHED AREAS INDICATE PLACES WHERE THE PLASTIC HOUSING AND METAL CAGE MAY BE IN CONTACT WITH THE PCB SURFACE. THESE AREAS ARE THE TRACE KEEP-OUT ZONES.
 3. DIMENSIONS VARY BY PCB LAYOUT AND EXTRACTION TOOLING DESIGN.

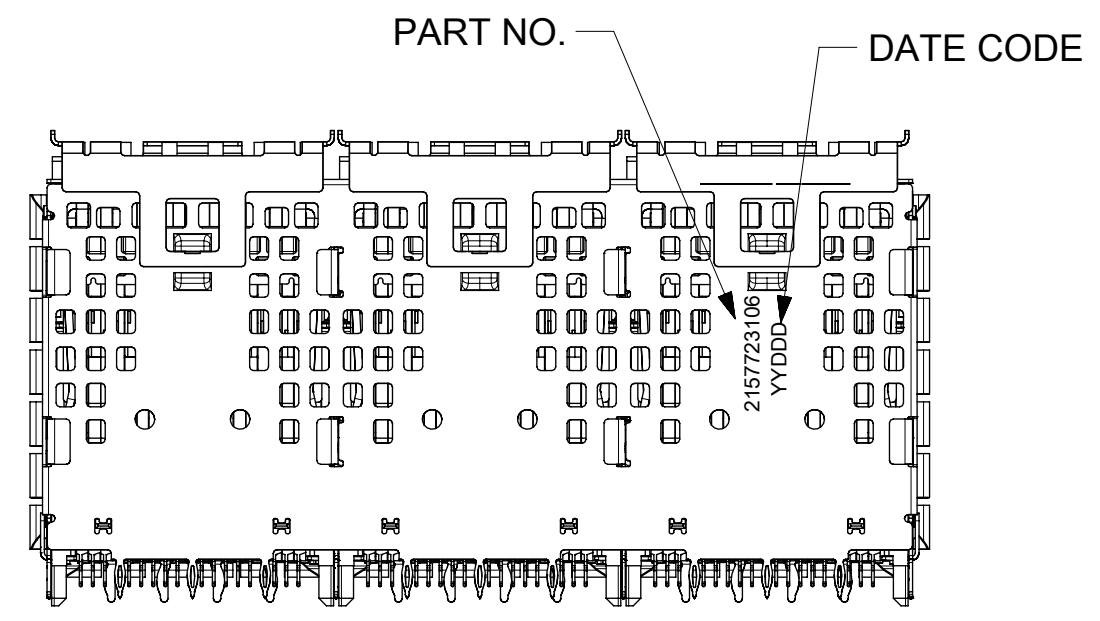
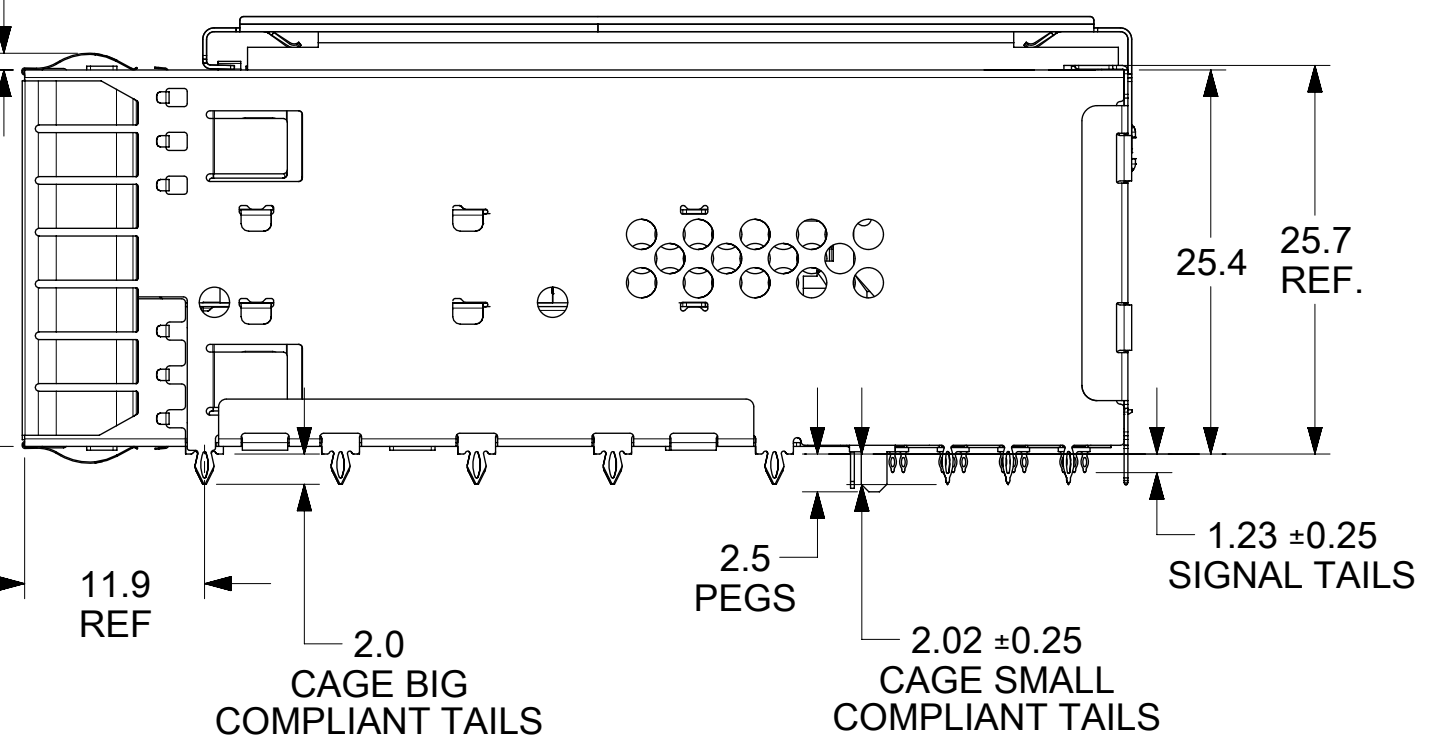
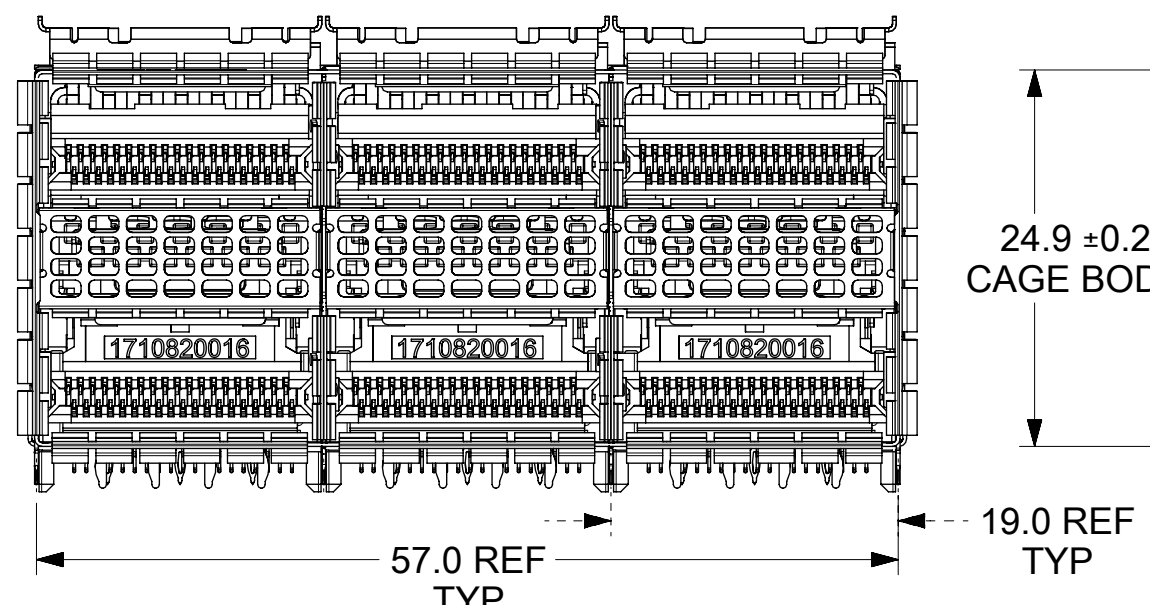
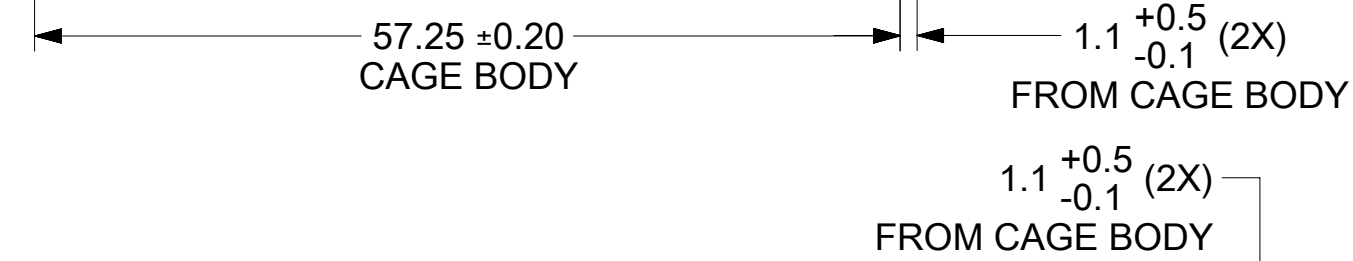
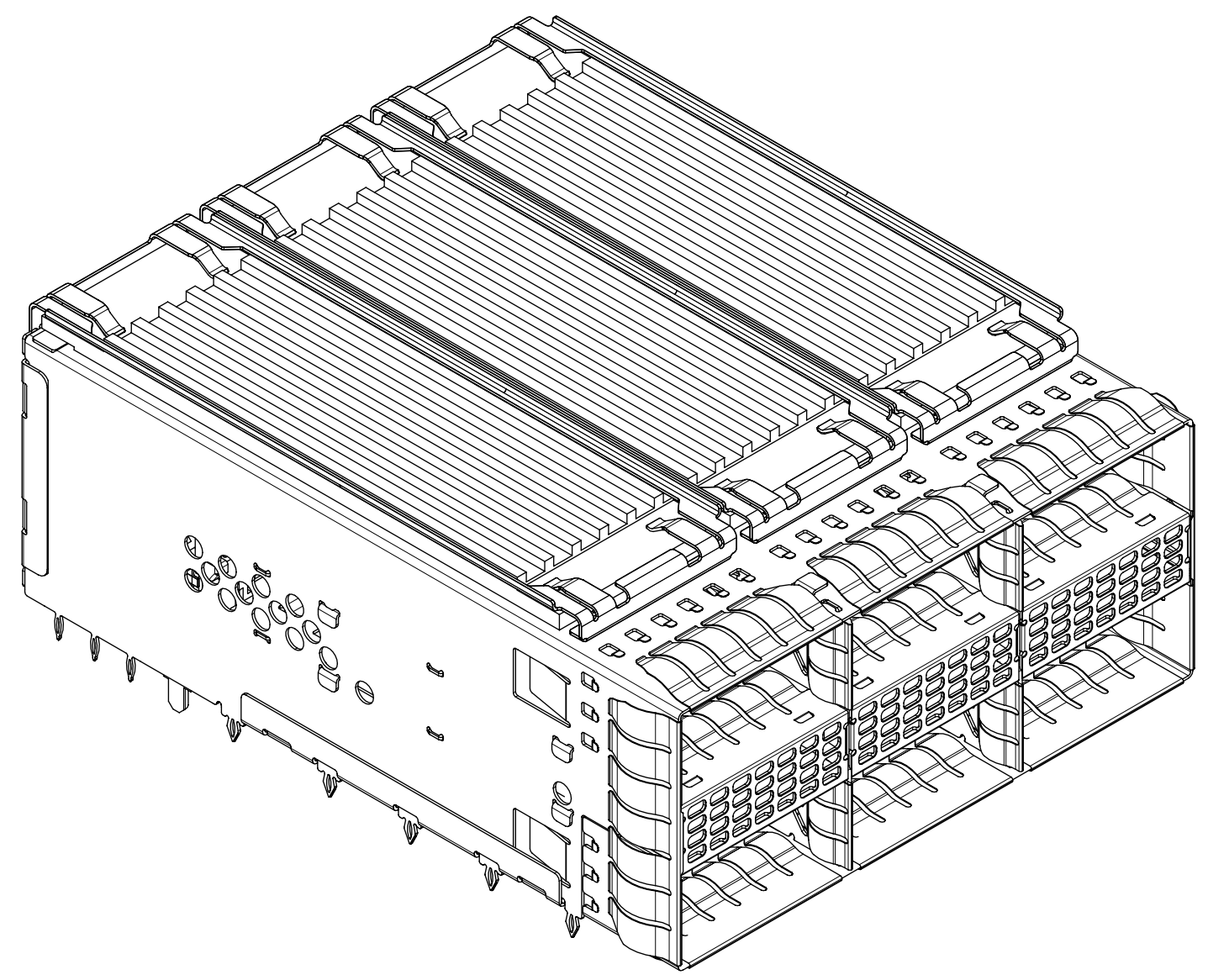
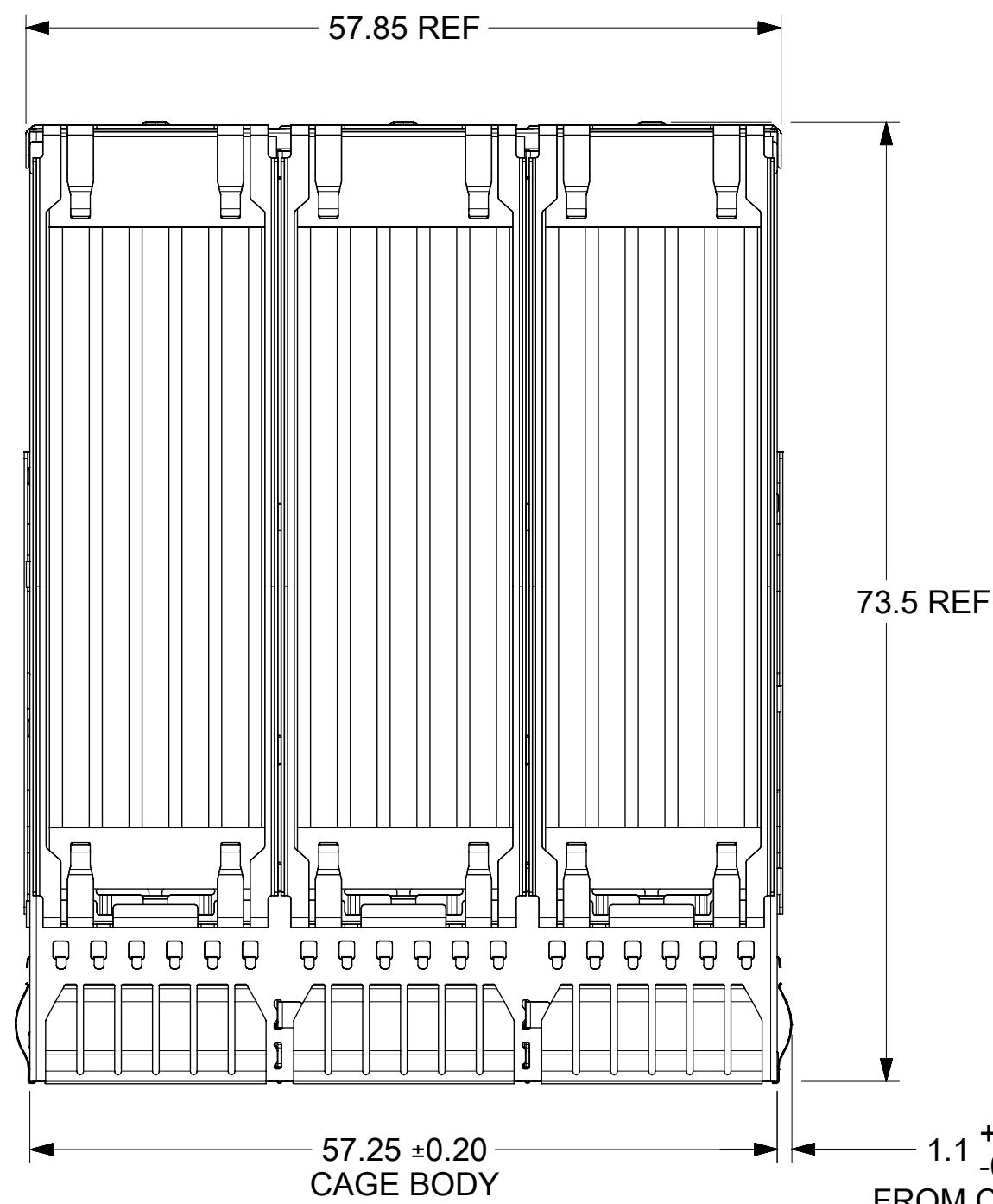
THIS DRAWING CONTAINS INFORMATION THAT IS PROPRIETARY TO MOLEX ELECTRONIC TECHNOLOGIES, LLC AND SHOULD NOT BE USED WITHOUT WRITTEN PERMISSION									
FUNCTIONAL SYMBOLS	DIMENSION UNITS	SCALE	CURRENT REV DESC:						
$\nabla_A = 0$	mm	4:1	EC NO: 710361 DRWN: WZHAO21 2021/06/29 CHK'D: WZHAO21 2022/06/15 APPR: WZHAO21 2022/06/15 INITIAL REVISION: DRWN: TMARRI 2021/01/06 APPR: JKACHLIC 2021/05/18						
$\nabla_C = 0$	GENERAL TOLERANCES (UNLESS SPECIFIED)								
$\nabla_P = 0$	ANGULAR TOL $\pm 0.5^\circ$								
DIVISIONAL SYMBOLS	4 PLACES	\pm							
	3 PLACES	\pm	PRODUCT CUSTOMER DRAWING						
	2 PLACES	± 0.13	DOCUMENT NUMBER				DOC TYPE	DOC PART	REVISION
	1 PLACE	± 0.25	2157723105				PSD	000	A1
	0 PLACES	\pm	MATERIAL NUMBER		CUSTOMER		SHEET NUMBER		
DRAFT WHERE APPLICABLE MUST REMAIN WITHIN DIMENSIONS		THIRD ANGLE PROJECTION	DRAWING	SERIES			4 OF 5		
			C-SIZE	215772					

H
G
F
E
D
C
B
A

REVISION HISTORY		
DATE	REV.	DESCRIPTION
2021/01/07	A	INITIAL RELEASE
2021/06/29	A1	PAGE 3 H7, CORRET 0.81MM HOLE QUANTITY TO 8X WAS 15X.

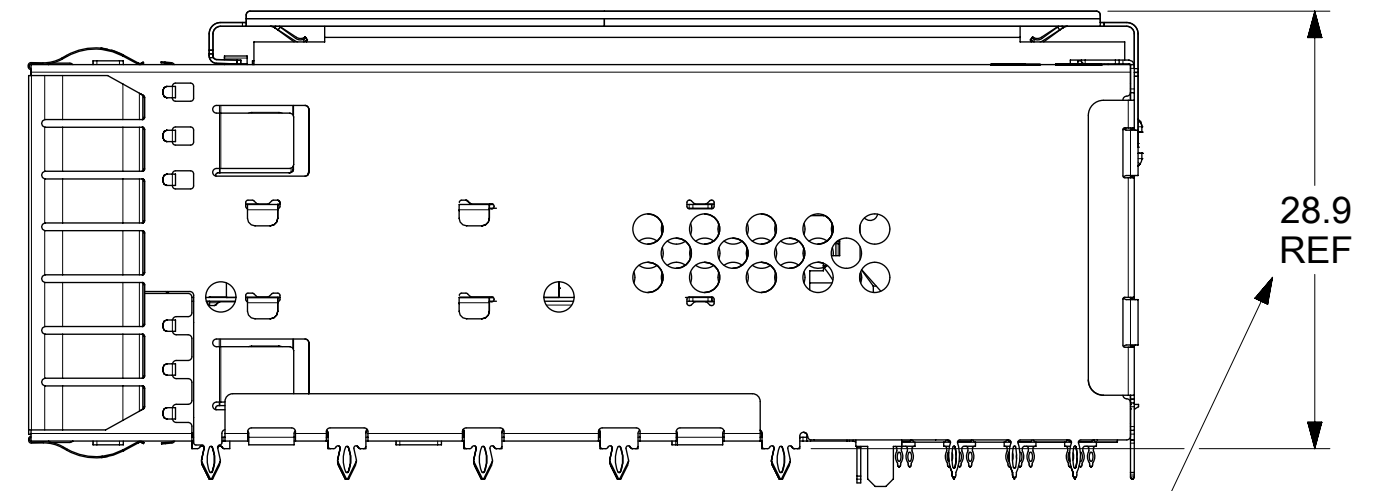
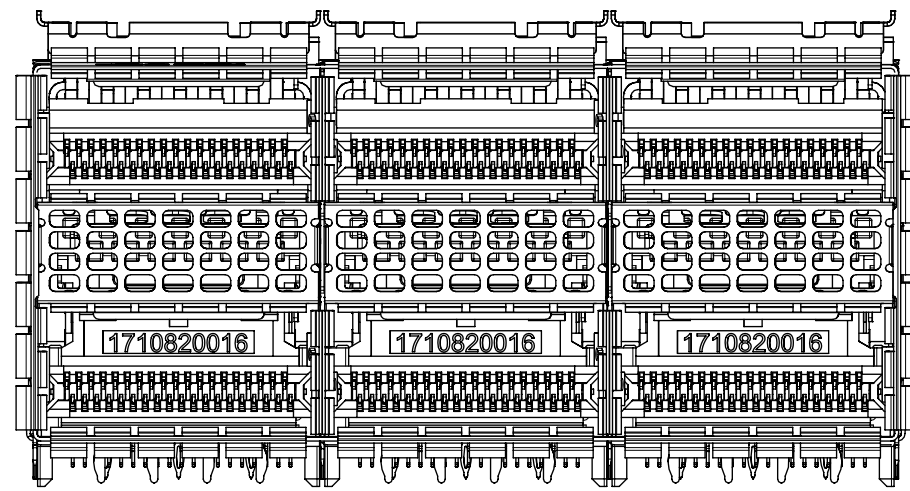
FUNCTIONAL SYMBOLS	THIS DRAWING CONTAINS INFORMATION THAT IS PROPRIETARY TO MOLEX ELECTRONIC TECHNOLOGIES, LLC AND SHOULD NOT BE USED WITHOUT WRITTEN PERMISSION									
	DIMENSION UNITS	SCALE	CURRENT REV DESC:							
$\frac{F}{A} = 0$	mm	1:1	EC NO: 710361							
$\frac{F}{C} = 0$	GENERAL TOLERANCES (UNLESS SPECIFIED)		DRWN: WZHAO21 2021/06/29							
$\frac{F}{P} = 0$	ANGULAR TOL $\pm 0.5^\circ$		CHK'D: WZHAO21 2022/06/15							
DIVISIONAL SYMBOLS	4 PLACES	\pm	APPR: WZHAO21 2022/06/15							
	3 PLACES	\pm	INITIAL REVISION:							
	2 PLACES	± 0.13	DRWN: TMARRI 2021/01/06							
	1 PLACE	± 0.25	APPR: JKACHLIC 2021/05/18							
0 PLACES	\pm	DRAFT WHERE APPLICABLE MUST REMAIN WITHIN DIMENSIONS		THIRD ANGLE PROJECTION	DRAWING	SERIES	MATERIAL NUMBER	CUSTOMER	SHEET NUMBER	
			C-SIZE	215772	2157723105	PSD	000	A1	5 OF 5	

DOCUMENT STATUS	P1	RELEASE DATE	2022/06/15 01:08:52
-----------------	----	--------------	---------------------



- NOTES:**
- MATERIAL:**
 CAGE: STAINLESS STEEL
 SPRING FINGERS: COPPER ALLOY
 CONNECTOR HOUSING: GLASS FILLED LIQUID CRYSTAL POLYMER (LCP),
 COLOR: BLACK 94V-0
 TERMINALS: HIGH PERFORMANCE COPPER ALLOY
 INTERNAL HEATSINKS AND TOP HEATSINKS: ANNODIZED ALUMINUM
 INTERNAL HEATSINK CLIPS AND TOP HEATSINK CLIPS : STAINLESS STEEL
 - FINISH:**
 SPRING FINGERS: 0.5 MICROMETER MINIMUM NICKEL
 TERMINALS:
 CONTACT AREA: 0.76 MICROMETER MIN. GOLD OVER 3.8 MICROMETER MIN. NICKEL.
 COMPLIANT AREA: 0.76 MICROMETER MIN. MATTE TIN OVER 1.27 MICROMETER MIN. NICKEL.
 - ALL SURFACES TO BE CLASS 'C' OR BETTER PER MOLEX COSMETIC SPECIFICATION ES-171233-001**
 - CONNECTOR INTENDED TO MATE WITH PLUG CABLE SERIES 74757 AND 74758.**
 - DATE CODE LOCATION SHOWN, DATE CODE FORMAT: YYDDD
 YY: YEAR, DDD: DAY OF THE YEAR**

FUNCTIONAL SYMBOLS $\nabla_A = 0$ $\nabla_E = 0$ $\nabla_P = 0$ DIVISIONAL SYMBOLS	THIS DRAWING CONTAINS INFORMATION THAT IS PROPRIETARY TO MOLEX ELECTRONIC TECHNOLOGIES, LLC AND SHOULD NOT BE USED WITHOUT WRITTEN PERMISSION		CURRENT REV DESC:	
	DIMENSION UNITS	SCALE		
	mm	2:1		
	GENERAL TOLERANCES (UNLESS SPECIFIED)			
	ANGULAR TOL $\pm 0.5^\circ$			
4 PLACES \pm		EC NO: 710361		
3 PLACES \pm		DRWN: SSU09	2022/06/14	
2 PLACES ± 0.13		CHK'D: WZHAO21	2022/06/15	
1 PLACE ± 0.25		APPR: WZHAO21	2022/06/15	
0 PLACES \pm		INITIAL REVISION:		
DRAFT WHERE APPLICABLE MUST REMAIN WITHIN DIMENSIONS		DRWN: TMARRI	2020/11/03	
THIRD ANGLE PROJECTION		APPR: JKACHLIC	2021/05/18	
DRAWING		SERIES		
C-SIZE		215772		
DOCUMENT NUMBER		DOC TYPE	DOC PART	
2157723106		PSD	000	
CUSTOMER		REVISION		
		A1		
SHEET NUMBER				
1 OF 5				



DIMENSION MAY INCREASE WITH PLUG MODULE INSERTED,
MAX. HEIGHT SHOULD LESS THAN 31.0MM

FUNCTIONAL SYMBOLS	THIS DRAWING CONTAINS INFORMATION THAT IS PROPRIETARY TO MOLEX ELECTRONIC TECHNOLOGIES, LLC AND SHOULD NOT BE USED WITHOUT WRITTEN PERMISSION		
	DIMENSION UNITS	SCALE	CURRENT REV DESC:
$\frac{F}{A} = 0$	mm	2:1	EC NO: 710361 DRWN: SSU09 2022/06/14 CHK'D: WZHAO21 2022/06/15 APPR: WZHAO21 2022/06/15 INITIAL REVISION: DRWN: TMARRI 2020/11/03 APPR: JKACHLIC 2021/05/18
$\frac{F}{C} = 0$	GENERAL TOLERANCES (UNLESS SPECIFIED)		
$\frac{F}{P} = 0$	ANGULAR TOL $\pm 0.5^\circ$		
DIVISIONAL SYMBOLS	4 PLACES	\pm	
	3 PLACES	\pm	PRODUCT CUSTOMER DRAWING
	2 PLACES	± 0.13	
	1 PLACE	± 0.25	DOCUMENT NUMBER
	0 PLACES	\pm	2157723106
	DRAFT WHERE APPLICABLE MUST REMAIN WITHIN DIMENSIONS	THIRD ANGLE PROJECTION	DOC TYPE
			PSD
		DRAWING	DOC PART
		C-SIZE	000
		SERIES	REVISION
		215772	A1
		MATERIAL NUMBER	SHEET NUMBER
		CUSTOMER	2 OF 5

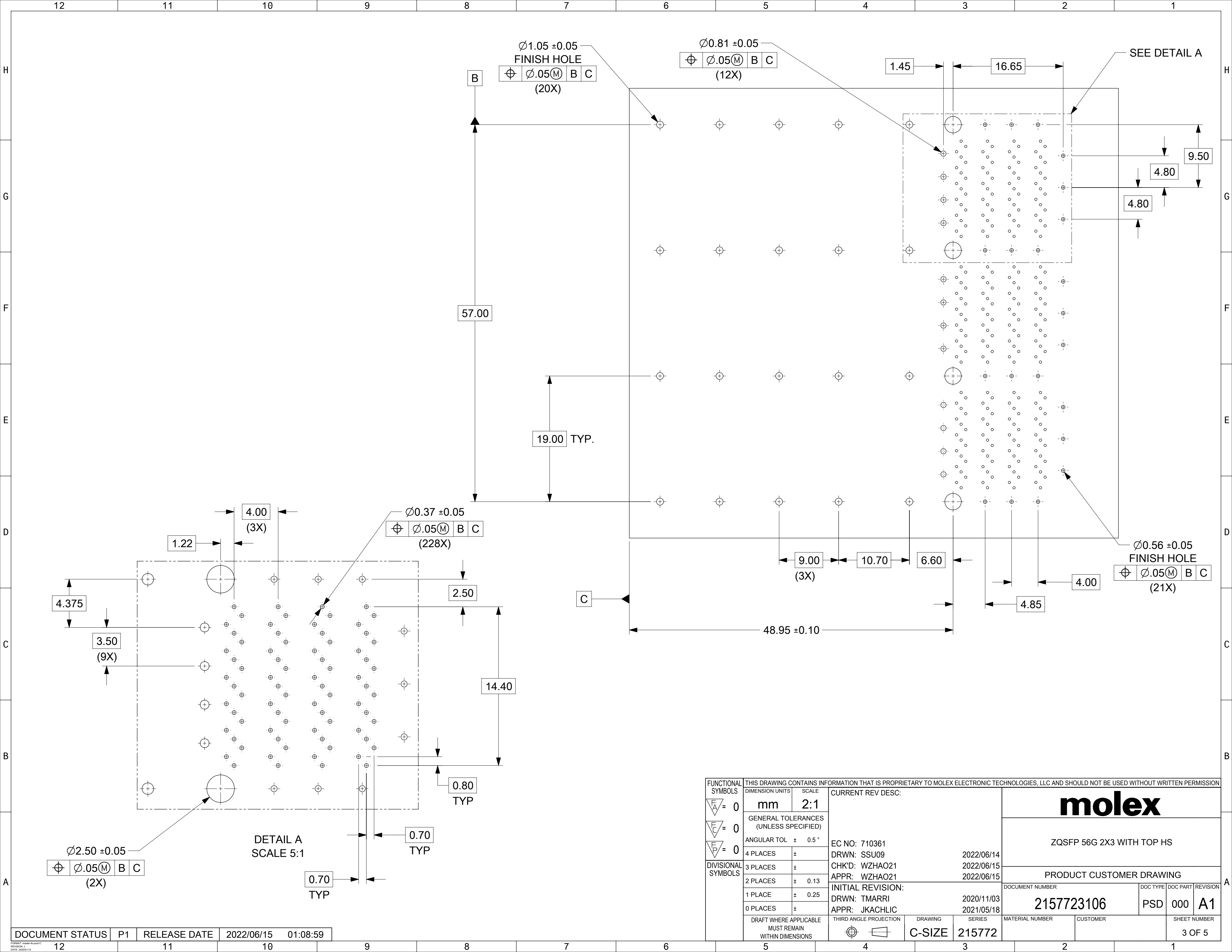
molex

ZQSFP 56G 2X3 WITH TOP HS

PRODUCT CUSTOMER DRAWING

2157723106

PSD 000 A1



DETAIL A
SCALE 5:1

FUNCTIONAL SYMBOLS	THIS DRAWING CONTAINS INFORMATION THAT IS PROPRIETARY TO MOLEX ELECTRONIC TECHNOLOGIES, LLC AND SHOULD NOT BE USED WITHOUT WRITTEN PERMISSION		
	DIMENSION UNITS	SCALE	CURRENT REV DESC:
$\frac{F}{A} = 0$	mm	2:1	EC NO: 710361 DRWN: SSU09 CHK'D: WZHAO21 APPR: WZHAO21 INITIAL REVISION: DRWN: TMARRI APPR: JKACHLIC
$\frac{F}{C} = 0$	GENERAL TOLERANCES (UNLESS SPECIFIED)		
$\frac{F}{P} = 0$	ANGULAR TOL ± 0.5°		
DIVISIONAL SYMBOLS	4 PLACES	±	
	3 PLACES	±	2022/06/14
	2 PLACES	± 0.13	2022/06/15
	1 PLACE	± 0.25	2022/06/15
	0 PLACES	±	2020/11/03
DRAFT WHERE APPLICABLE MUST REMAIN WITHIN DIMENSIONS	THIRD ANGLE PROJECTION	DRAWING	SERIES
		C-SIZE	215772
DOCUMENT STATUS	P1	RELEASE DATE	2022/06/15 01:08:59
DOCUMENT NUMBER		DOC TYPE	DOC PART
		REVISION	
2157723106		PSD	000
MATERIAL NUMBER		CUSTOMER	SHEET NUMBER
			3 OF 5

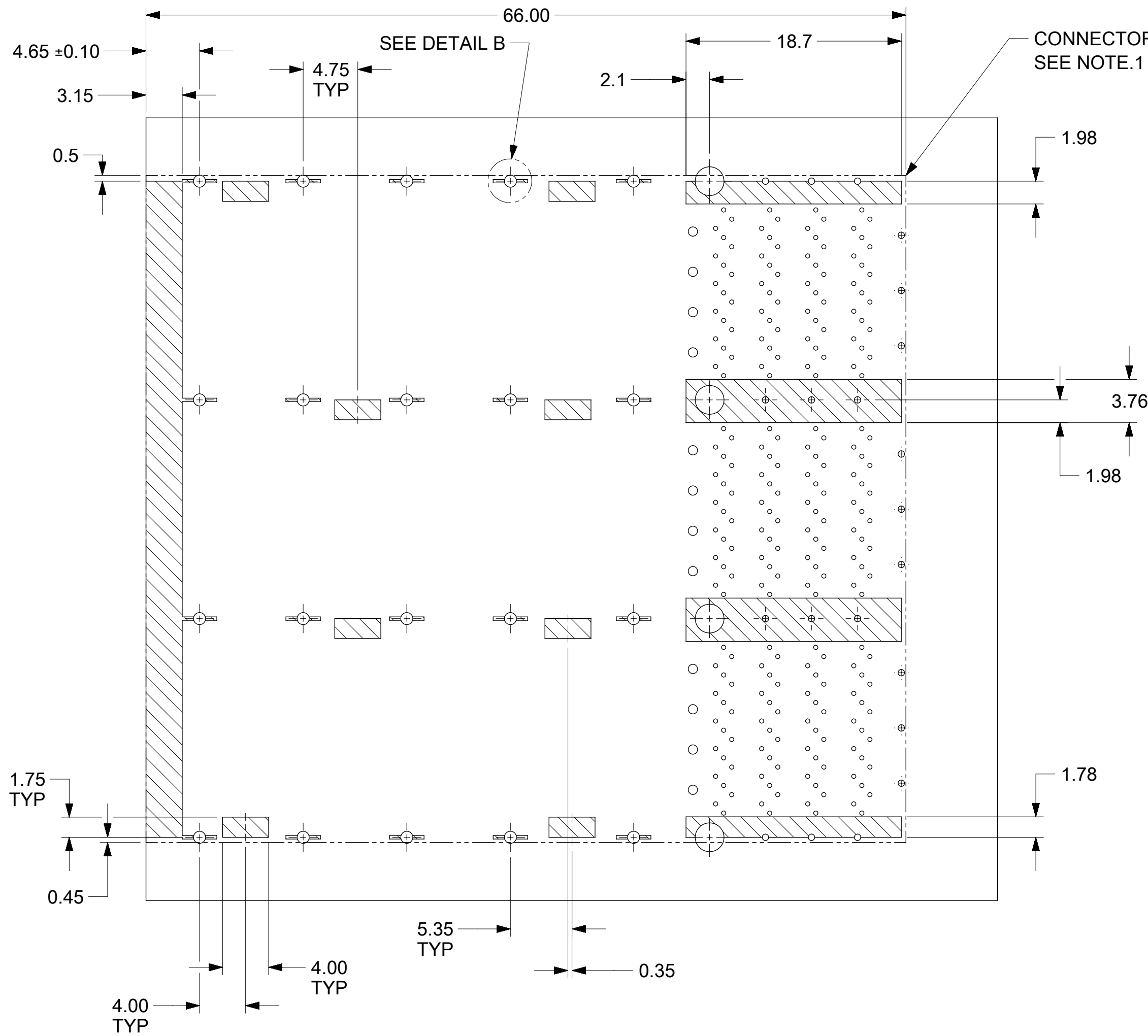
molex

ZQSFP 56G 2X3 WITH TOP HS

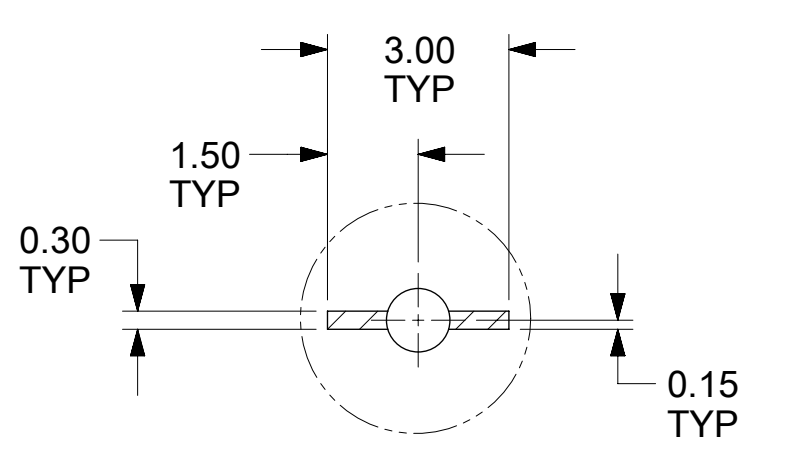
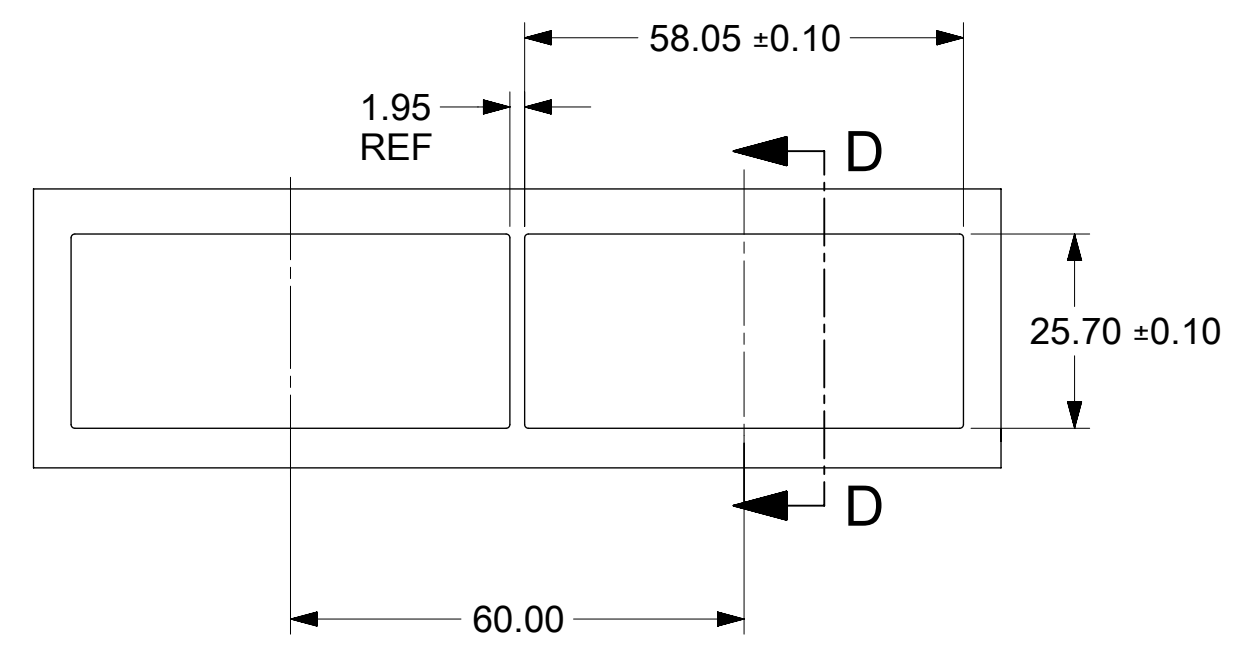
PRODUCT CUSTOMER DRAWING

2157723106

PSD 000 A1

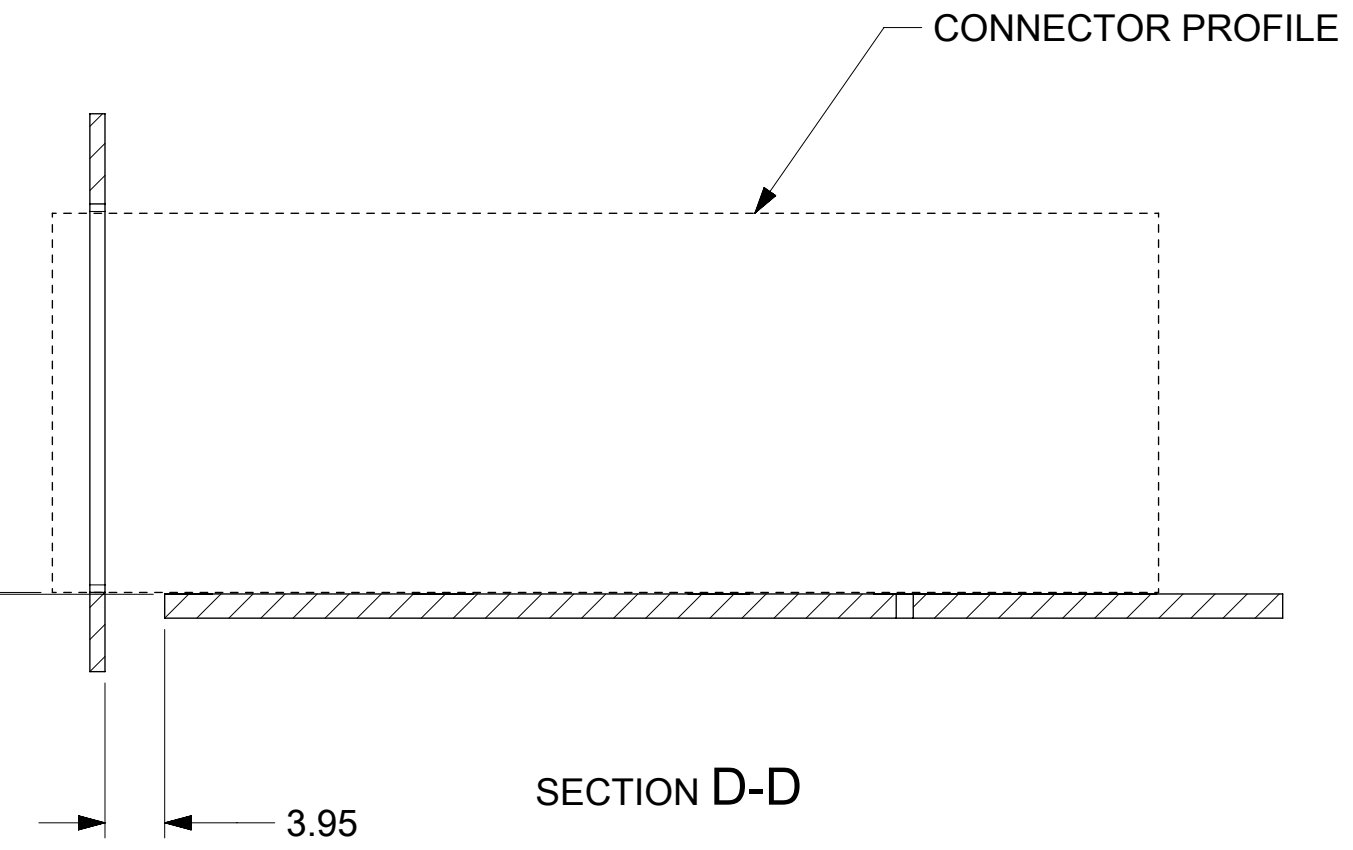


PANEL OPENING AND CONNECTOR SPACING RECOMMENDATIONS



DETAIL B
SCALE 8:1

0.1 ±0.1
PCB TOP SURFACE
TO PANEL OPENING



SECTION D-D

NOTES:

1. THE ENTIRE AREA UNDER THE CONNECTOR IS A COMPONENT KEEP OUT ZONE.
2. CROSS-HATCHED AREAS INDICATE PLACES WHERE THE PLASTIC HOUSING AND METAL CAGE MAY BE IN CONTACT WITH THE PCB SURFACE. THESE AREAS ARE THE TRACE KEEP-OUT ZONES.

FUNCTIONAL SYMBOLS	THIS DRAWING CONTAINS INFORMATION THAT IS PROPRIETARY TO MOLEX ELECTRONIC TECHNOLOGIES, LLC AND SHOULD NOT BE USED WITHOUT WRITTEN PERMISSION		CURRENT REV DESC:		molex
	DIMENSION UNITS	SCALE			
$\frac{F}{A} = 0$	mm	3:1			ZQSFP 56G 2X3 WITH TOP HS
$\frac{E}{C} = 0$	GENERAL TOLERANCES (UNLESS SPECIFIED)				
$\frac{E}{P} = 0$	ANGULAR TOL ± 0.5°				PRODUCT CUSTOMER DRAWING
DIVISIONAL SYMBOLS	4 PLACES	±	EC NO: 710361	2022/06/14	
	3 PLACES	±	DRWN: SSU09	2022/06/15	
	2 PLACES	± 0.13	CHK'D: WZHAO21	2022/06/15	
	1 PLACE	± 0.25	APPR: WZHAO21	2022/06/15	
0 PLACES	±	INITIAL REVISION:			
DRAFT WHERE APPLICABLE MUST REMAIN WITHIN DIMENSIONS		THIRD ANGLE PROJECTION	DRWING	SERIES	DOCUMENT NUMBER
			C-SIZE	215772	2157723106
					DOC TYPE
					PSD
					DOC PART
					000
					REVISION
					A1
					MATERIAL NUMBER
					CUSTOMER
					SHEET NUMBER
					4 OF 5

H
G
F
E
D
C
B
A

REVISION HISTORY		
DATE	REV.	DESCRIPTION
2020/11/03	1	INITIAL RELEASE
2022/06/14	A1	UPDATE DRAWING TO GENERA MARKET

FUNCTIONAL SYMBOLS = 0 = 0 = 0 DIVISIONAL SYMBOLS 4 PLACES ± 3 PLACES ± 2 PLACES ± 0.13 1 PLACE ± 0.25 0 PLACES ± DRAFT WHERE APPLICABLE MUST REMAIN WITHIN DIMENSIONS	THIS DRAWING CONTAINS INFORMATION THAT IS PROPRIETARY TO MOLEX ELECTRONIC TECHNOLOGIES, LLC AND SHOULD NOT BE USED WITHOUT WRITTEN PERMISSION		DIMENSION UNITS: mm SCALE: 1:1		CURRENT REV DESC: EC NO: 710361 DRWN: SSU09 CHK'D: WZHAO21 APPR: WZHAO21			
	GENERAL TOLERANCES (UNLESS SPECIFIED) ANGULAR TOL ± 0.5°		2022/06/14 2022/06/15 2022/06/15		PRODUCT CUSTOMER DRAWING		ZQSFP 56G 2X3 WITH TOP HS	
INITIAL REVISION: DRWN: TMARRI APPR: JKACHLIC		2020/11/03 2021/05/18		DOCUMENT NUMBER: 2157723106		DOC TYPE: PSD DOC PART: 000 REVISION: A1		
THIRD ANGLE PROJECTION 		DRAWING: C-SIZE SERIES: 215772		MATERIAL NUMBER:		CUSTOMER:		
SHEET NUMBER: 5 OF 5								