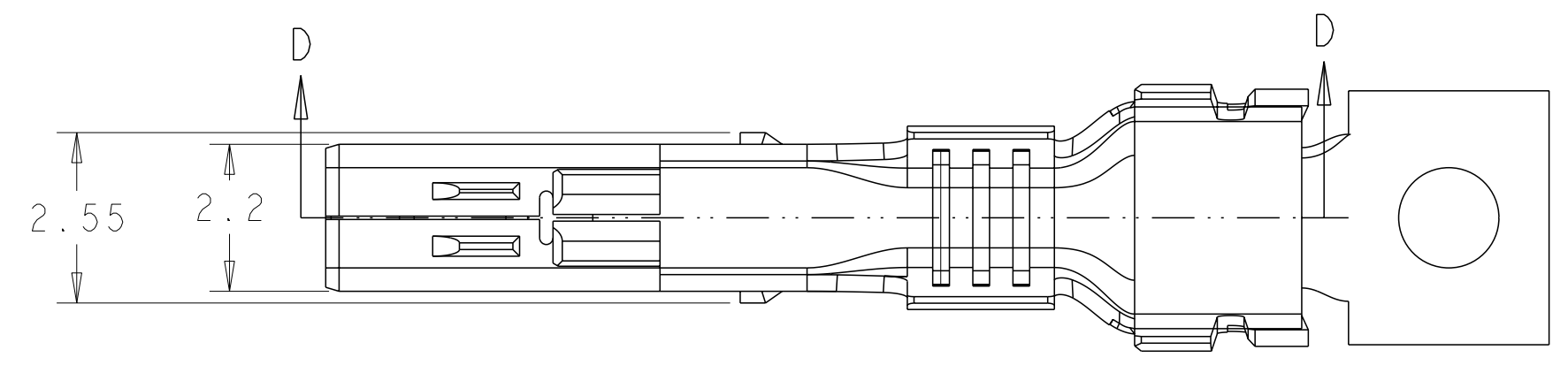
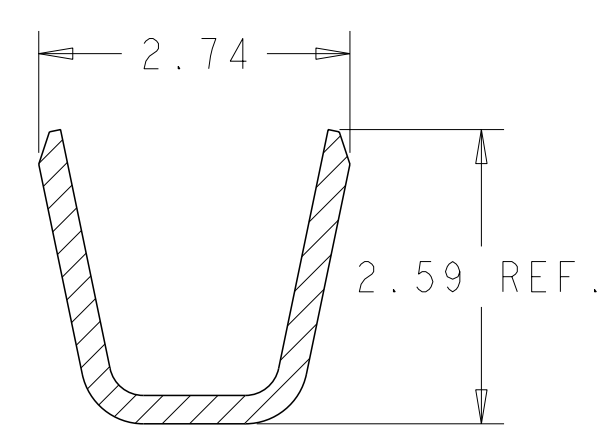
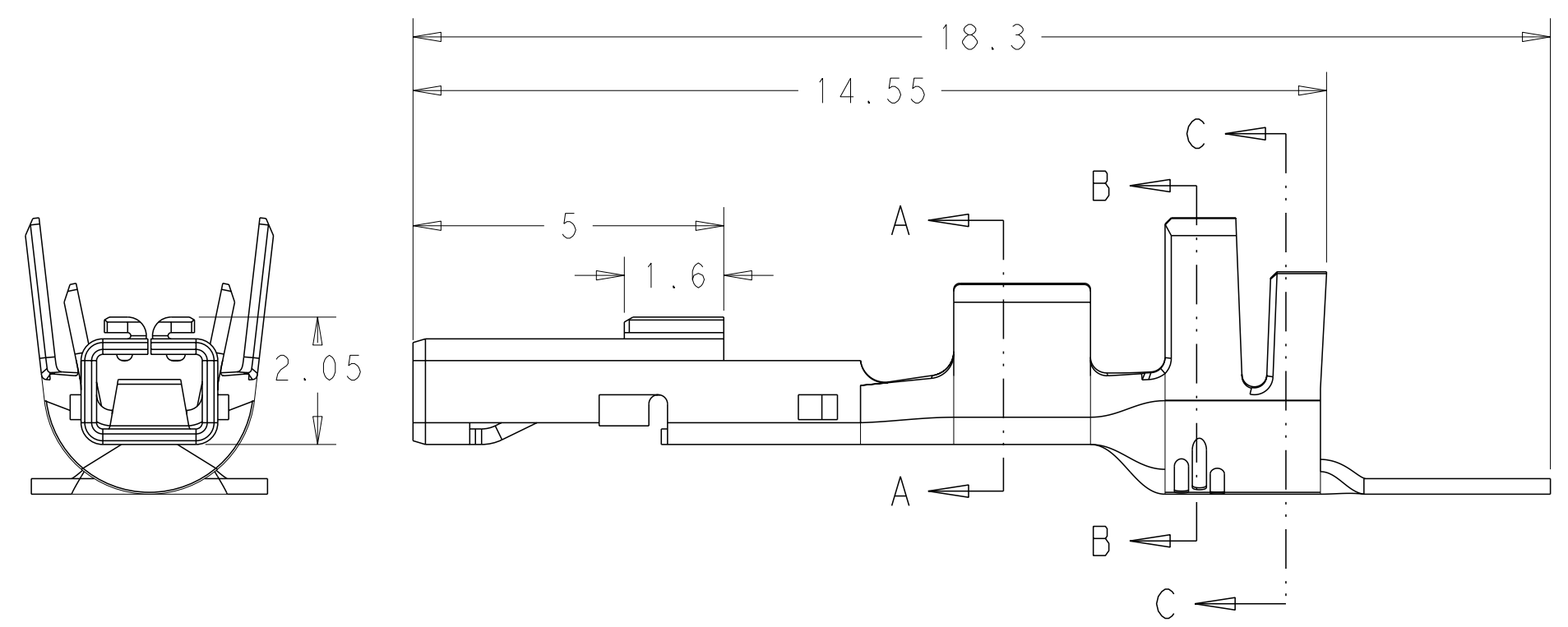


THIS DRAWING IS UNPUBLISHED. RELEASED FOR PUBLICATION
 © COPYRIGHT copyright.d8te ALL RIGHTS RESERVED.

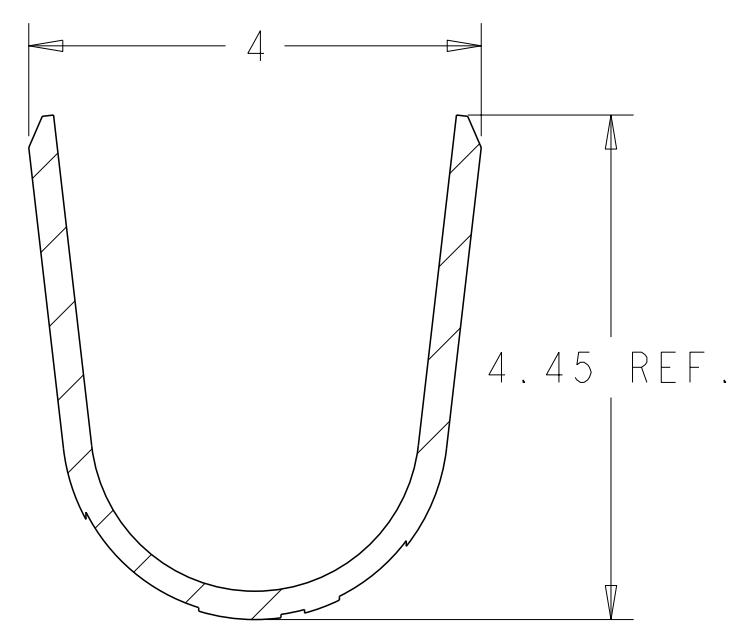
REVISIONS				
P	LTR	DESCRIPTION	DATE	APVD
B1		REVISED PER ECR-19-002395	21FEB2019	N.L D.Z
B2		REVISED PER ECR-20-100273	10AUG2020	M.G D.Z



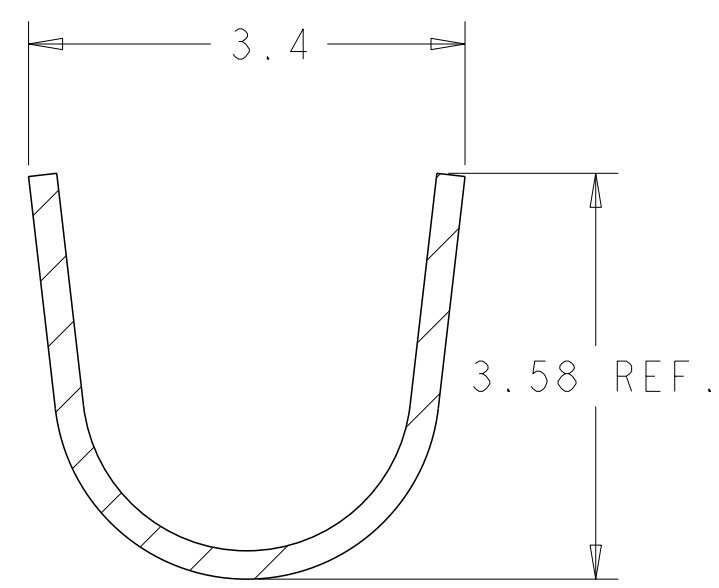
1. MATERIAL: COPPER ALLOY, PRE-TIN.
2. WIRE RANGE: 0.51-1.27mm² [20-16 AWG] STRANDED.
3. INSULATION RANGE: 1.8~3.1.



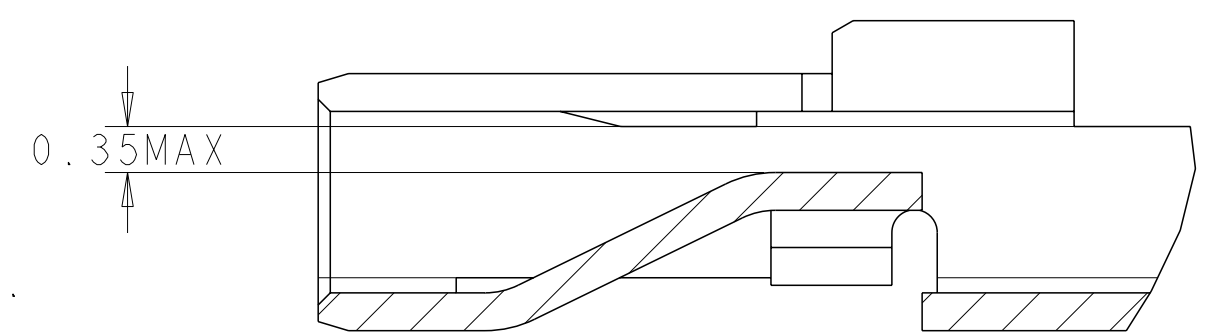
SECTION A-A
SCALE 15:1



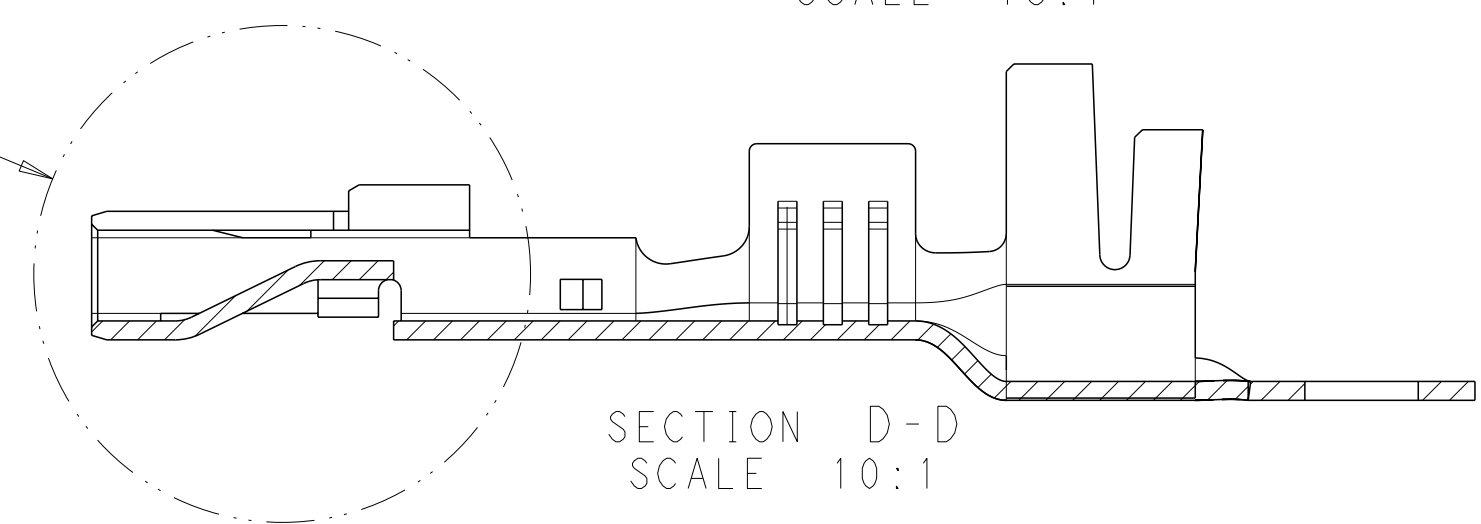
SECTION B-B
SCALE 15:1



SECTION C-C
SCALE 15:1



DETAIL A
SCALE 20:1



SECTION D-D
SCALE 10:1

HIGH CURRENT	LUBRICANT	2232901-2
-	LUBRICANT	1-2232901-1
-	-	2232901-1
REMARK	FINISH	PART NO.

THIS DRAWING IS A CONTROLLED DOCUMENT.		DWN OITO CHEN 25FEB2016	TE Connectivity	
DIMENSIONS: mm		CHK DANIEL 28FEB2016		
TOLERANCES UNLESS OTHERWISE SPECIFIED:		APVD DANIEL 28FEB2016	NAME PDL REC TERMINAL	
0 PLC ±0.50 1 PLC ±0.40 2 PLC ±0.30 3 PLC ± 4 PLC ± ANGLES ±3° FINISH -		PRODUCT SPEC 108-5410	SIZE A2	CAGE CODE -
MATERIAL -		APPLICATION SPEC 114-5175	DRAWING NO C-2232901	RESTRICTED TO -
		WEIGHT -	SCALE 5:1	SHEET 1 OF 1
		CUSTOMER DRAWING	REV B2	