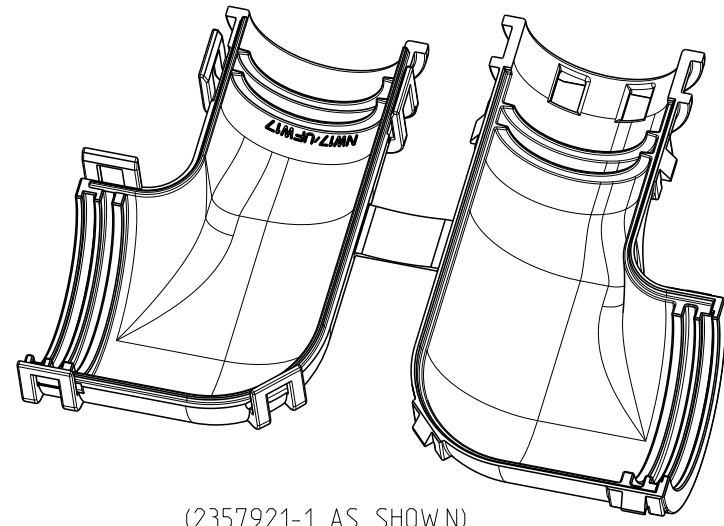
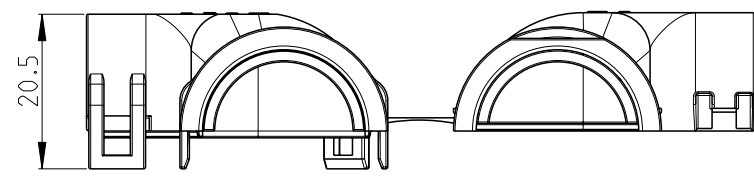
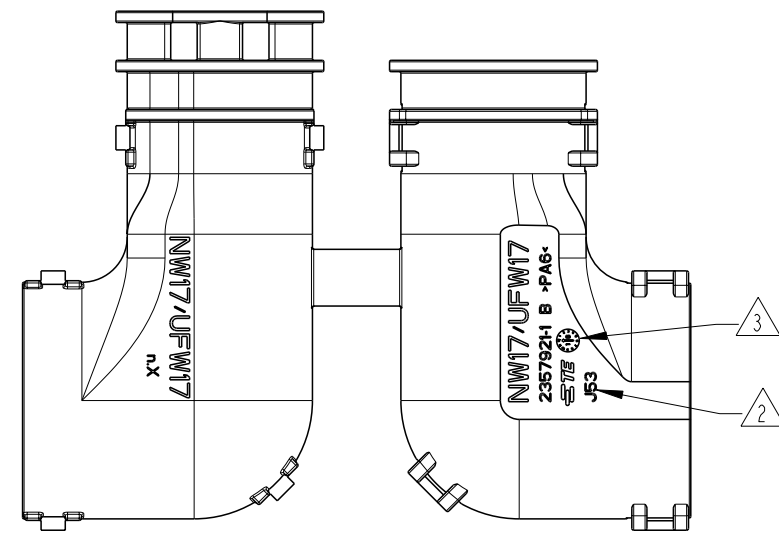
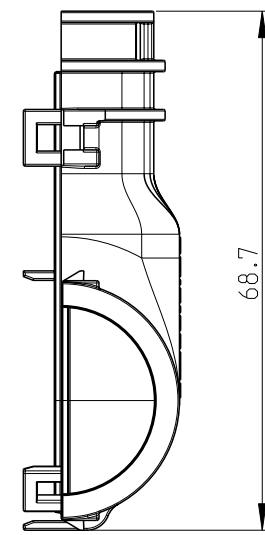
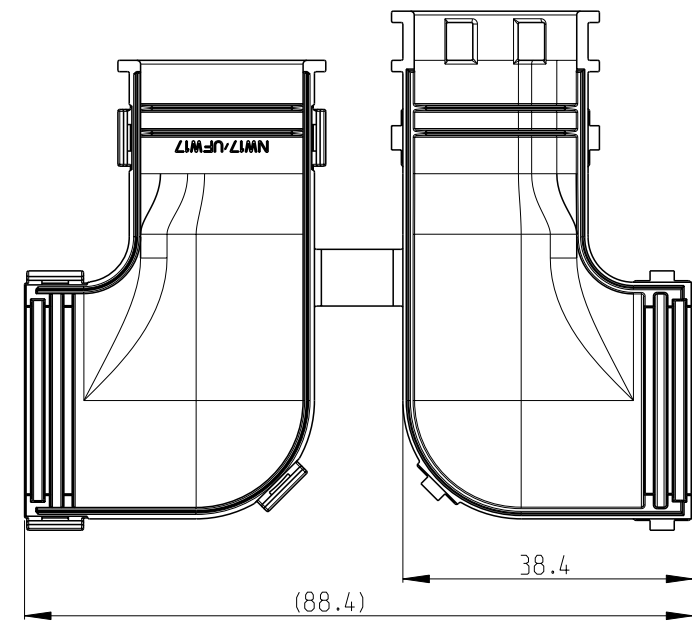


REVISIONS					
P	LTR	DESCRIPTION	DATE	DWN	APVD
A		INITIAL RELEASE	08JUL2019	V.T	I.Y
B		ECR-20-002162	14FEB2020	V.T	E.J
B1		ECR-20-003434	07MAR2020	V.T	E.J
B2		ECR-20-010594	29JUL2020	V.T	E.J



(2357921-1 AS SHOWN)



NOTES:

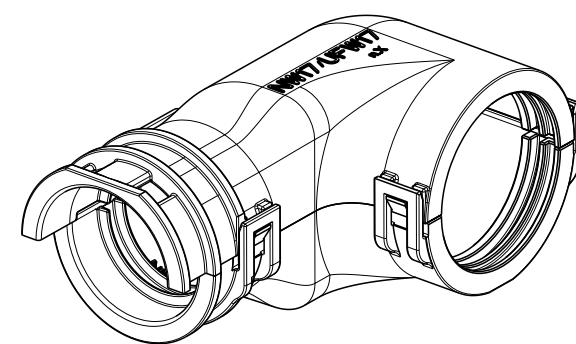
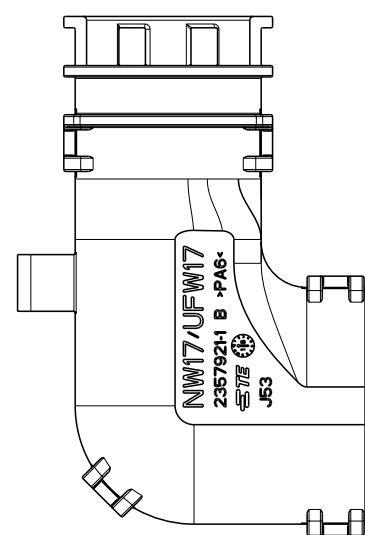
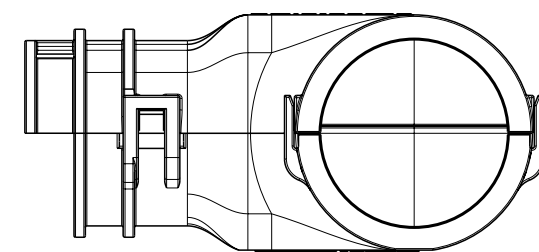
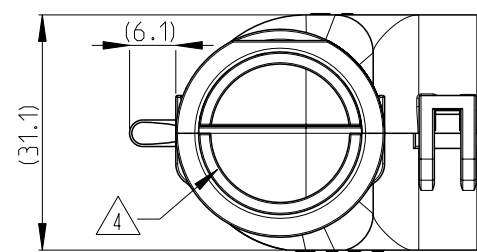
1.MATERIAL: PA6 COLOUR:BLACK.

2.MANUFACTURING LOCATION.

3.DATE CODE.

4.P/N:2357921-1 FOR CORRUGATED TUBE: NW 17&UFW 17. OR NW 16 IF CONFIRMED.

CLOSED (MOUNTED) CONDITION 2357921-1 AS SHOWN



2357921-1	MATING WITH 180° BACKSHELL
PART NO.	REMARK

THIS DRAWING IS A CONTROLLED DOCUMENT.		DWN	V. TANG	23 JUN 2019	 TE Connectivity	NAME <b>90 DEGREE BACKSHELL</b> <b>NTS 20P SERIES</b>
DIMENSIONS:		CHK	E. JIANG	24 JUN 2019		
mm		APVD	I. YIN	25 JUN 2019		
		TOLERANCES UNLESS OTHERWISE SPECIFIED:		PRODUCT SPEC		
MATERIAL		SEE NOTES		APPLICATION SPEC	108-32297	RESTRICTED TO
-		-		WEIGHT	-	SIZE
-		-		CUSTOMER DRAWING	SCALE 1:1	CAGE CODE
-		-		SHEET 1 OF 1		DRAWING NO
-		-		REV B2		REMARK