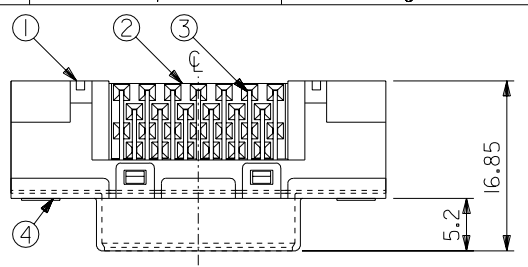
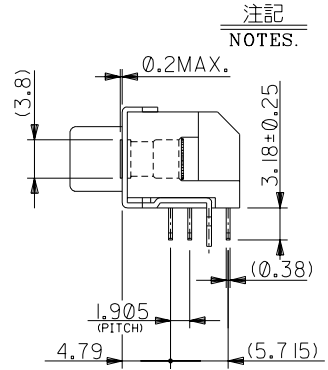
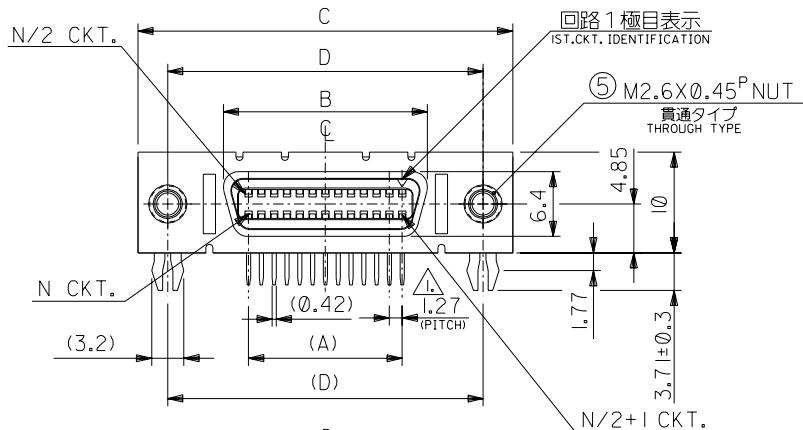


DWG. NO. SD-500815-002

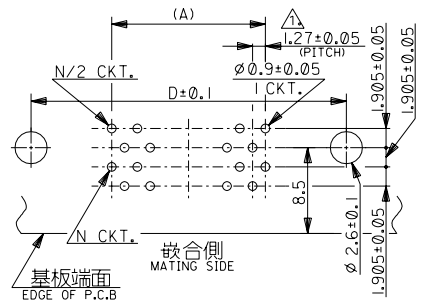
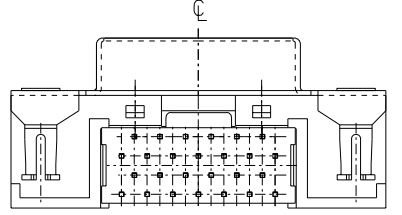


| NO. | 部品名 PART NAME | 材質 MATERIAL | 仕上げ FINISH |
|-----|-------------------------------------|--|--|
| ① | リセプタクル ハウジング RECEPTACLE HOUSING | ガラス入りPBT、黒色、UL94V-0 G.F.PBT, BLACK, UL94V-0 | — |
| ② | ガイドプレート GUIDE PLATE | ガラス入りPBT、黒色、UL94V-0 G.F.PBT, BLACK, UL94V-0 | — |
| ③ | リセプタクル ターミナル RECEPTACLE TERMINAL | りん青銅 PHOSPHOR BRONZE | ③ |
| ④ | シェル SHELL | 鋼材 STEEL | 下地メッキ UNDER PLATING 仕上げメッキ FINISH PLATING |
| ⑤ | ロックナット LOCK NUT | 黄銅 COPPER | — |

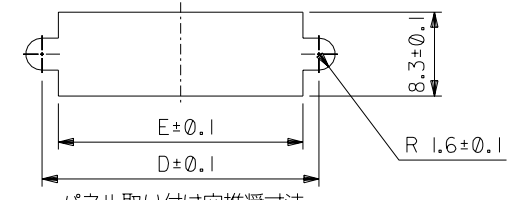


注記
NOTES.

- ① 公差非累積
NON CUMULATIVE TOLERANCE
- 2. 推奨基板厚 $t=1.6\pm0.2$
RECOMMENDED P.C.B. THICKNESS : $t=1.6\pm0.2$
- ③ ターミナル メッキ仕様
TERMINAL PLATING
金メッキ : $0.3\ \mu\text{m}$ MIN. (接点部)
GOLD : $0.3\ \mu\text{m}$ MIN. (CONTACT AREA)
錫メッキ : $1.0\ \mu\text{m}$ MIN. (半田付け部)
TIN : $1.0\ \mu\text{m}$ MIN. (SOLDER AREA)
ニッケルメッキ : $1.0\ \mu\text{m}$ MIN. (下地メッキ)
NICKEL : $1.0\ \mu\text{m}$ MIN. (UNDER PLATING)
- 4. パネル締め付けトルク : 29.4~39.2 N・cm (3~4 kgf・cm)
SCREW TIGHTENING TORQUE : 29.4~39.2 N・cm (3~4 kgf・cm)



基板穴推奨寸法 (部品実装側)
RECOMMENDED P.C.B. LAYOUT (COMPONENT SIDE)



パネル取り付け穴推奨寸法
RECOMMENDED PANEL OPENING

| | | | | | | | |
|------|------|------|-------|-------|-------------|----------------------|------------|
| 43.3 | 46.5 | 52.4 | 35.48 | 30.48 | 500815-**** | 500815-5018 | 50 |
| E | D | C | B | A | MODEL NO. | 製品番号 MATERIAL NO. | 極数 CKT. |

DO NOT SCALE DRAWING

| | | | | | | | | | |
|----------------------------------|----------------------------------|----------------------------------|--|---|-------------|----------------|---------------|----------------------|--------------------|
| EC NO. DRWN: CHK: APPR: | EC NO. DRWN: CHK: APPR: | EC NO. DRWN: CHK: APPR: | REVISED EC NO. J2004-3487 DRWN: N.YOSHIDA '04/03/31 CHK: M.YACI APPR: J.MIYAZAWA | RELEASED EC NO. J2004-2516 DRWN: N.YOSHIDA '04/02/20 CHK: M.YACI APPR: J.MIYAZAWA | DESCRIPTION | MATERIAL 材料 | FINISH 仕上げ | WIRE RANGE 適用線径範囲 | INS. RANGE 被覆外径 |
| | | | A | 0 | | | | | |

| | | | | | | | | |
|---|-------|---|--|--|--|------------------------------|------------------------------|-----------|
| GENERAL TOLERANCES: (UNLESS SPECIFIED) 一般公差 | | SCALE 2=1 | DESIGN UNITS <input checked="" type="checkbox"/> mm <input type="checkbox"/> INCH | THIRD ANGLE PROJECTION | DIMENSIONS: <input type="checkbox"/> mm <input type="checkbox"/> INCH | | SHT REVISE ON CAD ONLY | |
| 10 UNDER 未満 | ±0.2 | DRAWN BY & DATE N.YOSHIDA '04/02/20 | | TITLE: 1.27 1/0 R/A DIP REC. ASS'Y -LEAD FREE- | | | | |
| 10 OVER 以上 | ±0.25 | CHECKED BY & DATE | | MOLEX MOLEX INCORPORATED | | | | |
| 30 OVER 以上 | ±0.3 | APPROVED BY & DATE | | CAD FILENAME SD-500815-002.S01 | MATERIAL NO. SEE CHART | DRAWING NO. SD-500815-002 | SHEET NO. 1 OF 1 | |
| ANGLE 角度 | ±3° | THIS DRAWING CONTAINS INFORMATION THAT IS PROPRIETARY TO MOLEX INCORPORATED AND SHOULD NOT BE USED WITHOUT WRITTEN PERMISSION. | | | | | | SIZE B |

SD-500815-002-501