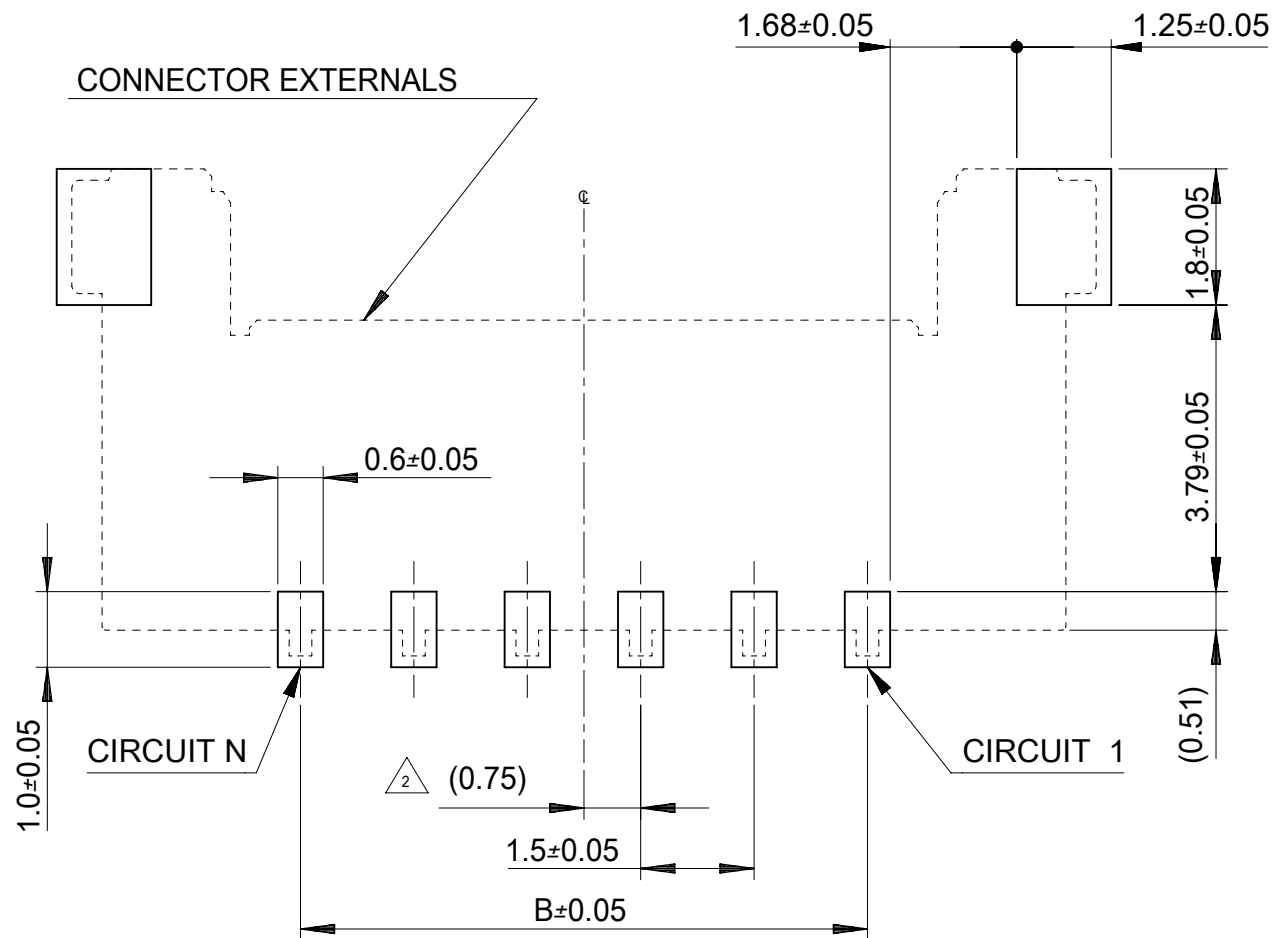


NOTE.

1. 嵌合相手 : 5 0 4 0 5 1 \* \* \* \*  
MATE WITH : 504051\*\*\*\*
2. 偶数極の製品に適用  
APPLY EVEN CIRCUIT PRODUCTS.
3. 材質  
MATERIAL  
ハウジング : ポリアミド(PA)  
UL 9 4 - V 0 BLACK  
HOUSING : POLYAMIDE(PA)  
UL94-V0 BLACK  
ターミナル、ネール : 銅合金  
TERMINAL、NAIL: COPPER ALLOY
4. めっき  
PLATING  
ターミナル : ニッケル下地めっき 1.0micro-meter MIN.、  
コンタクト : 金めっき0.1micro-meter MIN. 半田付け部 : 金めっき  
TERMINAL : UNDER NICKEL PLATING 1.0micro-meter MIN. CONTACT :  
GOLD PLATING0.1micro-meter MIN. TAIL : GOLD PLATING  
ネール : ニッケル下地めっき 1.0micro-meter MIN. 錫めっき 1.0micro-meter MIN.  
NAIL:UNDER NICKEL PLATING 1.0micro-meter MIN.  
TIN PLATING 1.0micro-meter MIN.
5. ソルダータイルとネールの平坦度 : 0.08mm MAX.  
SOLDER TAIL AND FITTING NAIL COPLANARITY : 0.08mm MAX.
6. ELV及びRoHS適合品  
ELV AND RoHS COMPLIANT.
7. 製品仕様及び取扱いについては、製品仕様書PS-504051-001  
及びコネクタ取扱説明書AS-504051-001を参照願います。  
PLEASE REFER TO PRODUCT SPECIFICATION PS-504051-001  
AND APPLICATION SPECIFICATION AS-504051-001.
8. 梱包仕様書 : SPK-504050-001.  
PACKING INFORMATION SPK-504050-001.

17.85	16.5	21.75	12
14.85	13.5	18.75	10
11.85	10.5	15.75	8
10.35	9.0	14.25	7
8.85	7.5	12.75	6
7.35	6.0	11.25	5
5.85	4.5	9.75	4
C	B	A	極数 CIRCUIT SIZE

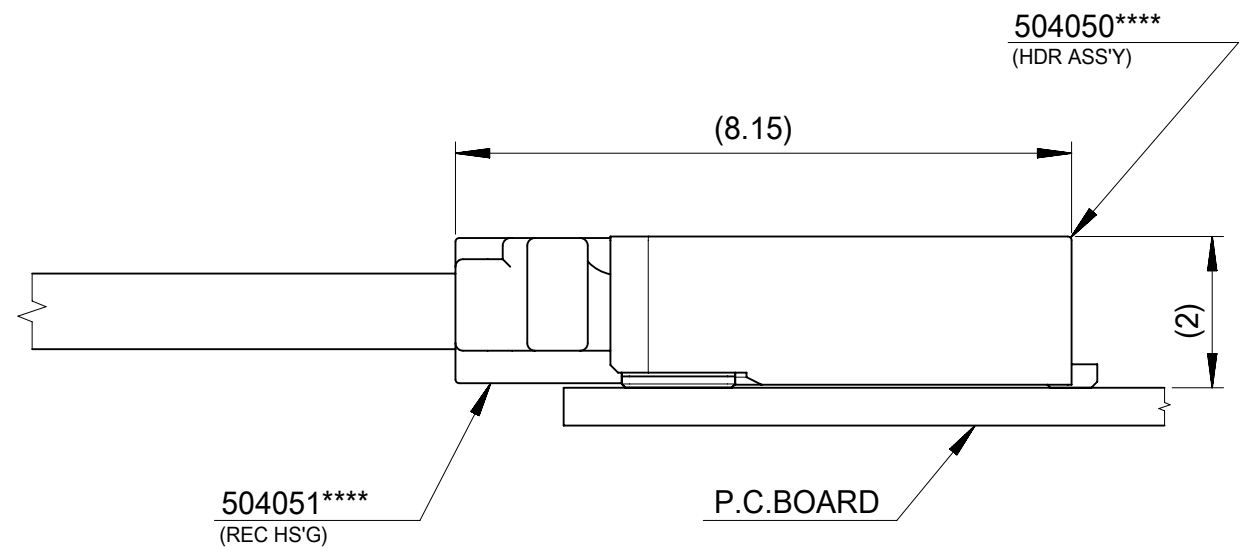
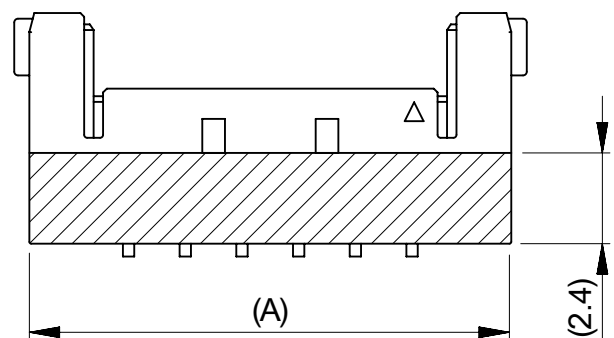
THIS DRAWING CONTAINS INFORMATION THAT IS PROPRIETARY TO MOLEX ELECTRONIC TECHNOLOGIES, LLC AND SHOULD NOT BE USED WITHOUT WRITTEN PERMISSION		CURRENT REV DESC:		<b>molex</b>	
DIMENSION UNITS	SCALE				
mm	NTS			PICO-LOCK1.5 HDRASSY SGLRW R/A ETP H=2 FOR CIRCUIT SIZE 4-8, 10,12	
GENERAL TOLERANCES (UNLESS SPECIFIED)		EC NO: 640538		PRODUCT CUSTOMER DRAWING	
ANGULAR TOL	± 3.0 °	DRWN: QHE31	2020/07/01	DOCUMENT NUMBER	
4 PLACES	± 0.2	CHK'D: SAKIYAMA	2020/07/06	DOC TYPE DOC PART REVISION	
3 PLACES	± 0.2	APPR: KOMURAKAMI	2020/07/07	5040500000-SD PSD 000 B	
2 PLACES	± 0.2	INITIAL REVISION:		MATERIAL NUMBER	
1 PLACE	± 0.2	DRWN: QHE31	2018/03/14	CUSTOMER	
0 PLACES	± 0.2	APPR: KOMURAKAMI	2019/02/18	SHEET NUMBER	
DRAFT WHERE APPLICABLE MUST REMAIN WITHIN DIMENSIONS		THIRD ANGLE PROJECTION	DRAWING	SERIES	SHEET NUMBER
			A3-SIZE	504050	1 OF 3



### RECOMMENDED PATTERN LAYOUT (REF.)

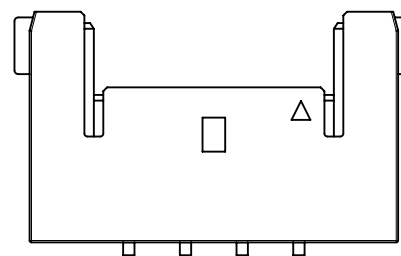
推奨メタルマスク厚さ:0.1mm、開口率:100%。  
 RECOMMEND STENCIL MASK THICKNESS: 0.1mm, APERTURE RATIO: 100%.

吸着エリア  
 PICK-UP AREA

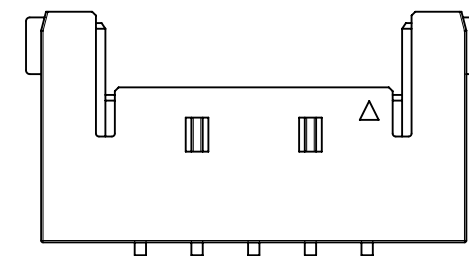


### MATED CONNECTORS

### NUMBER of LOCK

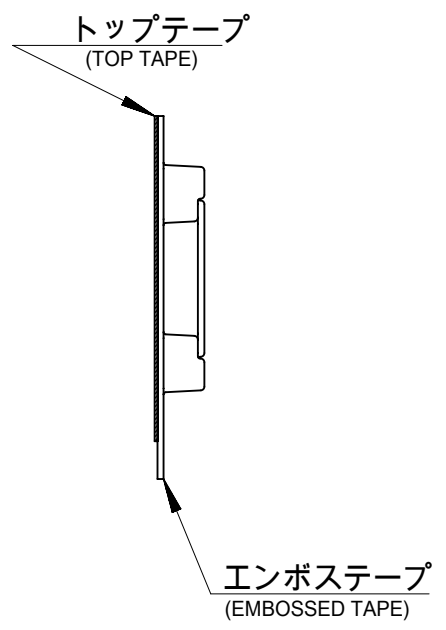
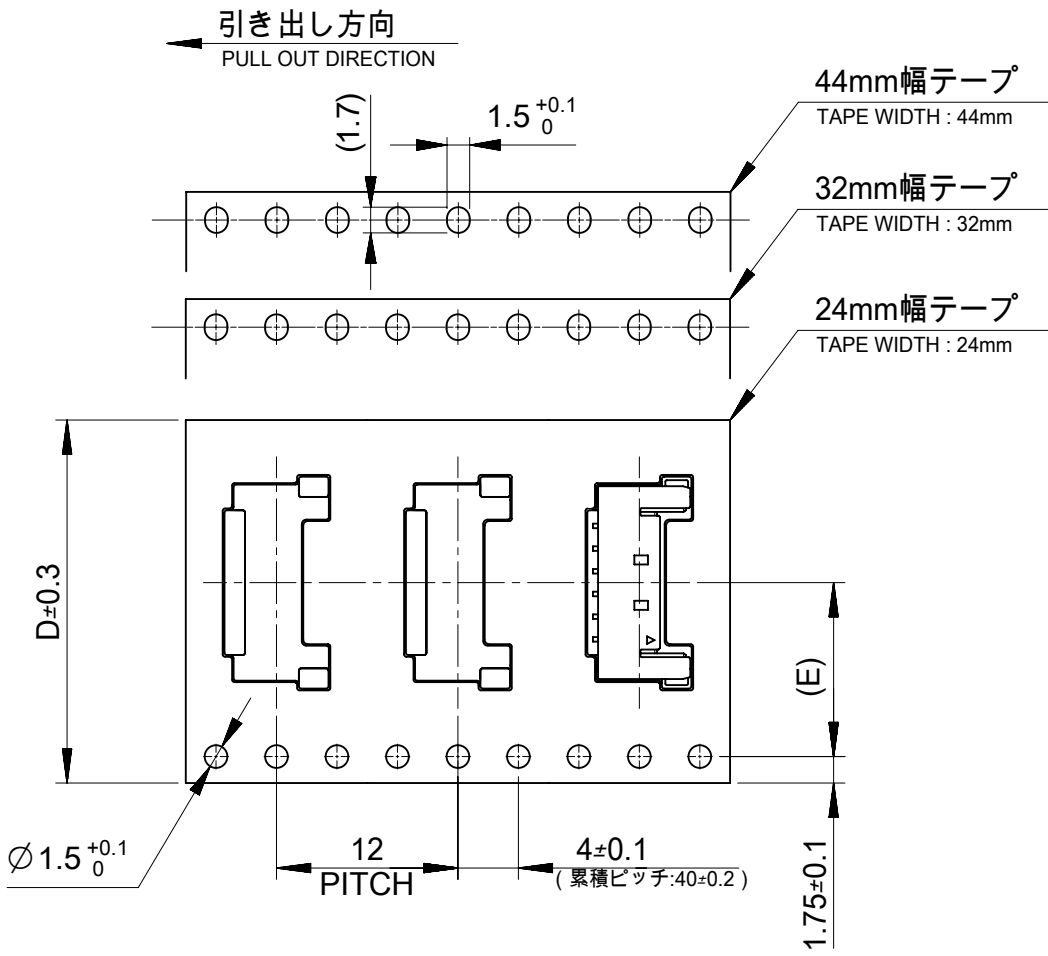


4 CIRCUITS



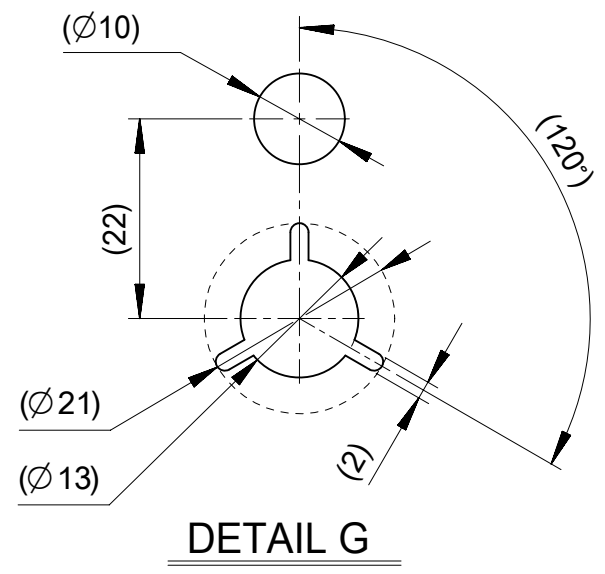
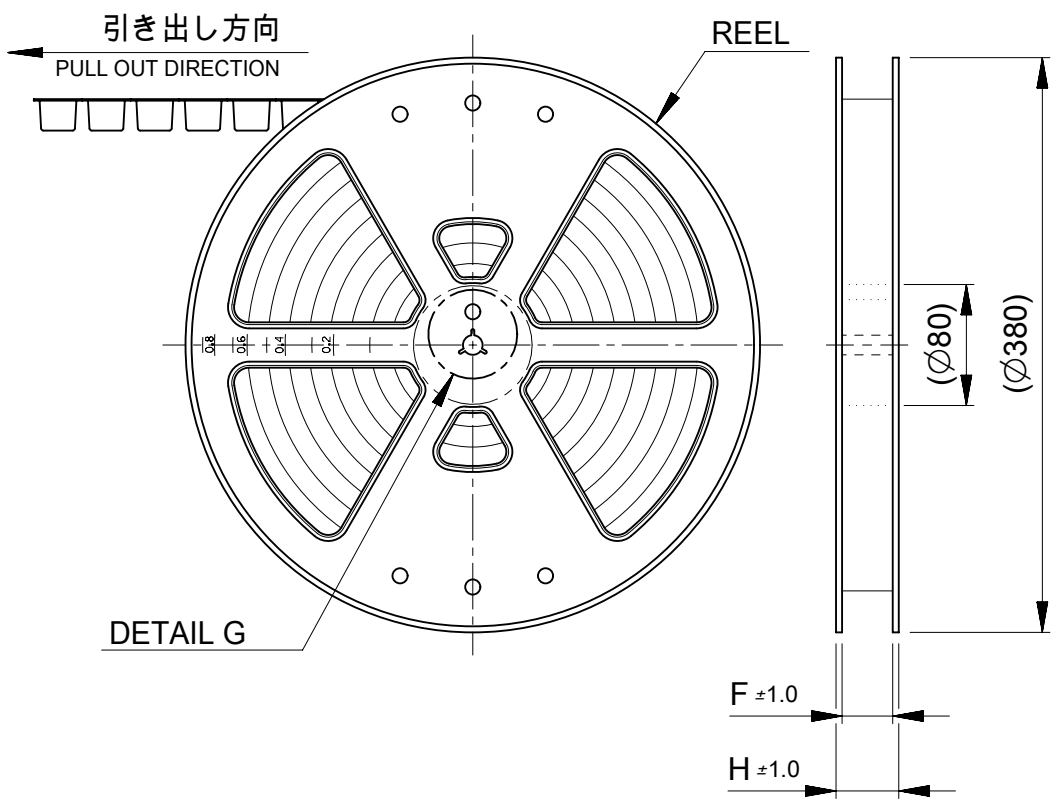
5-12 CIRCUITS

THIS DRAWING CONTAINS INFORMATION THAT IS PROPRIETARY TO MOLEX ELECTRONIC TECHNOLOGIES, LLC AND SHOULD NOT BE USED WITHOUT WRITTEN PERMISSION		CURRENT REV DESC:		<b>molex</b>	
DIMENSION UNITS	SCALE				
mm	NTS			PRODUCT CUSTOMER DRAWING	
GENERAL TOLERANCES (UNLESS SPECIFIED)		EC NO: 640538		DOCUMENT NUMBER	
ANGULAR TOL ± 3.0 °		DRWN: QHE31 2020/07/01		5040500000-SD	
4 PLACES ± 0.2		CHK'D: SAKIYAMA 2020/07/06		DOC TYPE DOC PART REVISION	
3 PLACES ± 0.2		APPR: KOMURAKAMI 2020/07/07		PSD 000 B	
2 PLACES ± 0.2		INITIAL REVISION:		MATERIAL NUMBER	
1 PLACE ± 0.2		DRWN: QHE31 2018/03/14		CUSTOMER	
0 PLACES ± 0.2		APPR: KOMURAKAMI 2019/02/18		SHEET NUMBER	
DRAFT WHERE APPLICABLE MUST REMAIN WITHIN DIMENSIONS		THIRD ANGLE PROJECTION	DRAWING	SERIES	SEE CHART OF SHEET 1
			A3-SIZE	504050	2 OF 3



NOTE

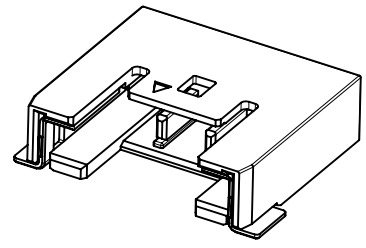
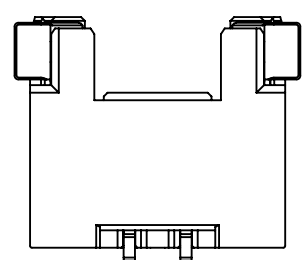
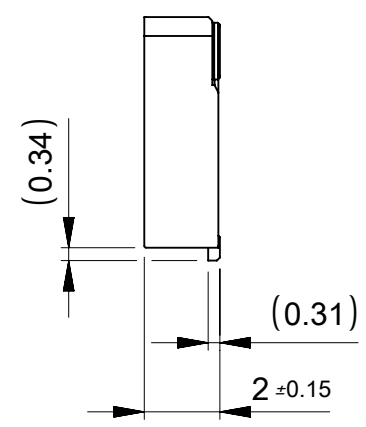
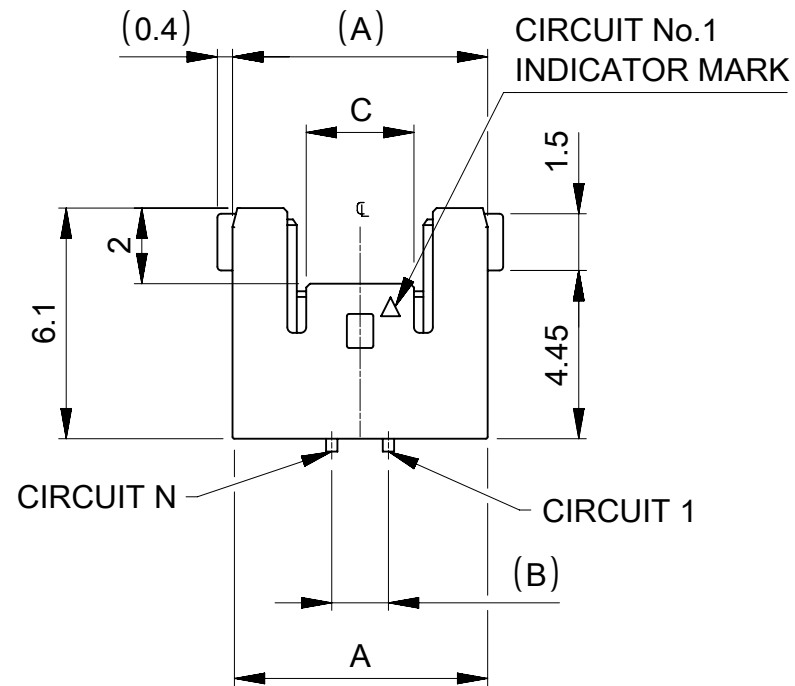
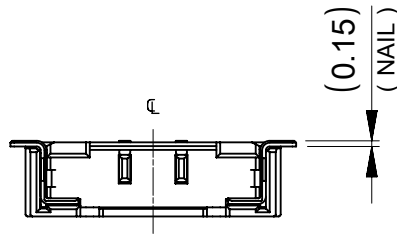
- 梱包数量 : 2700個 / リール  
NUMBER OF CONNECTORS : 2700 PIECES/REEL
  - リードテープ長さ  
LEAD TAPE LENGTH
- 
- 材料  
MATERIALS  
キャリアテープ:ポリスチレン(PS)  
CARRIER TAPE : POLYSTYRENE(PS)  
トップテープ:ポリエチレン(PE)、ポリエチレンテレフタレート(PET)  
TOP TAPE : POLYETHYLENE(PE) ,  
POLYETHYLENE TEREPHTHALATE(PET)  
リール:ポリスチレン(PS) (リサイクル材を含む)  
REEL : POLYSTYRENE(PS) (RECYCLE MATERIAL CONTAINED)
  - ELV及びRoHS適合品  
ELV AND RoHS COMPLIANT.
  - トップテープの剥離強度については、IEC 6 0 2 8 6 - 3に準拠。  
TOP TAPE PEEL FORCE IS DEFINED BY IEC60286-3.
  - 梱包仕様書 : SPK-504050-001.  
PACKING INFORMATION SPK-504050-001.



49.4	45.4	20.2	44	5040501291	12
37.4	33.4	14.2	32	5040501091	10
				5040500891	8
				5040500791	7
29.4	25.4	11.5	24	5040500691	6
				5040500591	5
				5040500491	4
H	F	E	D	発注番号 ORDER NO.	極数 CIRCUIT SIZE

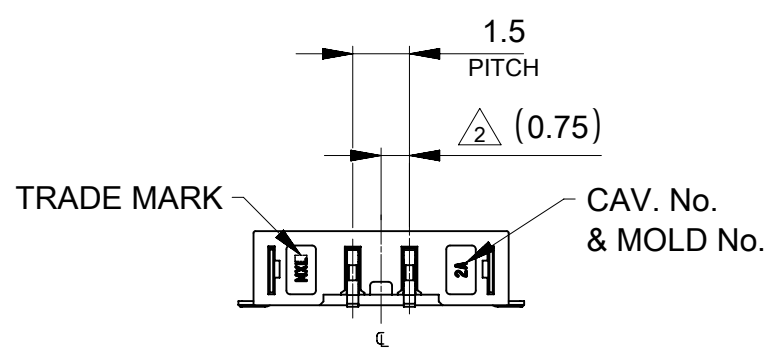
梱包状態 : エンボス梱包  
PACKAGING : EMBOSSED TAPE AND REEL

THIS DRAWING CONTAINS INFORMATION THAT IS PROPRIETARY TO MOLEX ELECTRONIC TECHNOLOGIES, LLC AND SHOULD NOT BE USED WITHOUT WRITTEN PERMISSION					
DIMENSION UNITS	SCALE	CURRENT REV DESC:			
mm	NTS				
GENERAL TOLERANCES (UNLESS SPECIFIED)					
ANGULAR TOL	± 3.0 °				
4 PLACES	± 0.2				
3 PLACES	± 0.2				
2 PLACES	± 0.2				
1 PLACE	± 0.2				
0 PLACES	± 0.2				
DRAFT WHERE APPLICABLE MUST REMAIN WITHIN DIMENSIONS		THIRD ANGLE PROJECTION	DRAWING	SERIES	MATERIAL NUMBER
			A3-SIZE	504050	SEE CHART OF SHEET 1
		EC NO: 640538		2020/07/01	
		DRWN: QHE31		2020/07/06	
		CHK'D: SAKIYAMA		2020/07/07	
		APPR: KOMURAKAMI		2020/07/07	
		INITIAL REVISION:			
		DRWN: QHE31		2018/03/14	
		APPR: KOMURAKAMI		2019/02/18	
		DOCUMENT NUMBER		DOC TYPE	
		5040500000-SD		PSD	
		CUSTOMER		REVISION	
		000		B	
		SHEET NUMBER		3 OF 3	



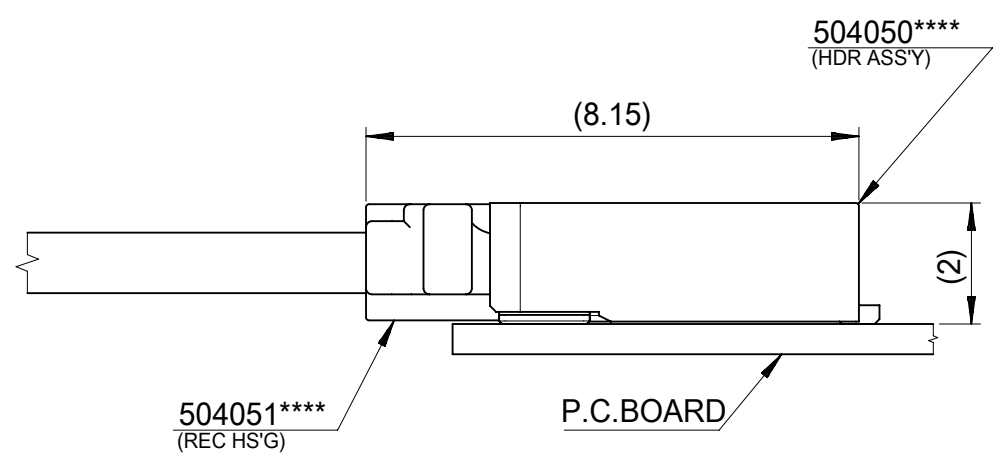
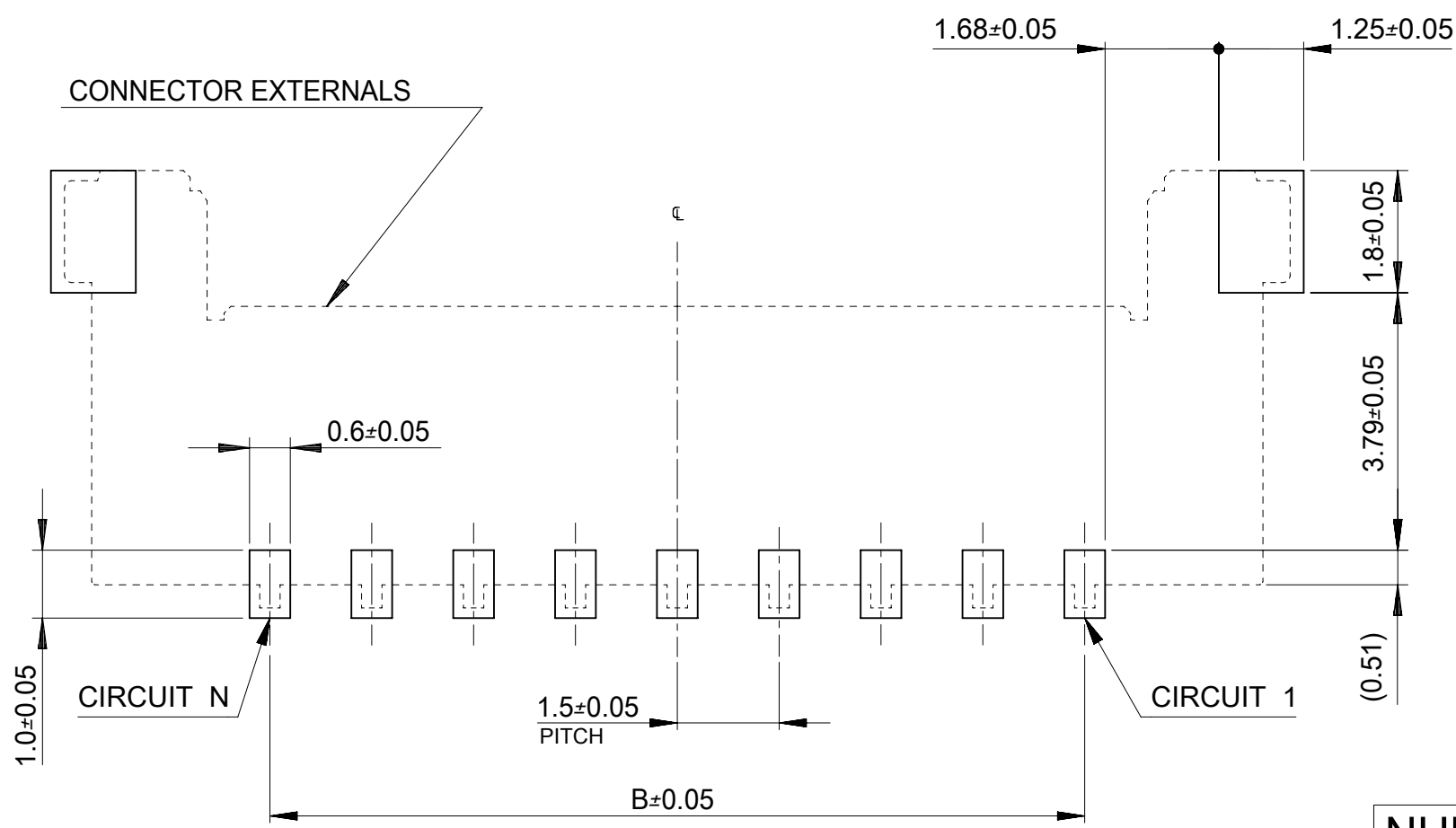
NOTE.

1. 嵌合相手 : 5 0 4 0 5 1 \* \* \* \*  
MATE WITH : 504051\*\*\*\*
- △ 2. 偶数極の製品に適用  
APPLY EVEN CIRCUIT PRODUCTS.
3. 材質  
MATERIAL  
ハウジング : ポリアミド(PA)  
UL 9 4 - V 0 BLACK  
HOUSING : POLYAMIDE(PA)  
UL94-V0 BLACK  
ターミナル、ネール : 銅合金  
TERMINAL、NAIL: COPPER ALLOY
4. めっき  
PLATING  
ターミナル : ニッケル下地めっき 1.0micro-meter MIN.、  
コンタクト : 金めっき0.1micro-meter MIN. 半田付け部 : 金めっき  
TERMINAL : UNDER NICKEL PLATING 1.0micro-meter MIN. CONTACT :  
GOLD PLATING0.1micro-meter MIN. TAIL : GOLD PLATING  
ネール : ニッケル下地めっき 1.0micro-meter MIN. 錫めっき 1.0micro-meter MIN.  
NAIL:UNDER NICKEL PLATING 1.0micro-meter MIN.  
TIN PLATING 1.0micro-meter MIN.
5. ソルダータイルとネイルの平坦度 : 0.08mm MAX.  
SOLDER TAIL AND FITTING NAIL COPLANARITY : 0.08mm MAX.
6. ELV及びRoHS適合品  
ELV AND RoHS COMPLIANT.
7. 製品仕様及び取扱いについては、製品仕様書PS-504051-001  
及びコネクタ取扱説明書AS-504051-001を参照願います。  
PLEASE REFER TO PRODUCT SPECIFICATION PS-504051-001  
AND APPLICATION SPECIFICATION AS-504051-001.
8. 梱包仕様書 : SPK-504050-001.  
PACKING INFORMATION SPK-504050-001.



16.35	15	20.25	11
13.35	12	17.25	9
4.35	3	8.25	3
2.85	1.5	6.75	2
C	B	A	極数 CIRCUIT SIZE

THIS DRAWING CONTAINS INFORMATION THAT IS PROPRIETARY TO MOLEX ELECTRONIC TECHNOLOGIES, LLC AND SHOULD NOT BE USED WITHOUT WRITTEN PERMISSION		CURRENT REV DESC:		<b>molex</b>	
DIMENSION UNITS	SCALE	EC NO: 640538			
mm	NTS	DRWN: QHE31 2020/07/01		PICO-LOCK1.5 HDRASSY SGLRW R/A ETP H=2 FOR CIRCUIT SIZE 2,3,9,11	
GENERAL TOLERANCES (UNLESS SPECIFIED)		CHK'D: SAKIYAMA 2020/07/06		PRODUCT CUSTOMER DRAWING	
ANGULAR TOL	± 3.0 °	APPR: KOMURAKAMI 2020/07/07		DOCUMENT NUMBER	
4 PLACES	± 0.2	INITIAL REVISION:		5040500000-SD	
3 PLACES	± 0.2	DRWN: QHE31 2019/01/22		DOC TYPE	
2 PLACES	± 0.2	APPR: KOMURAKAMI 2019/02/18		PSD	
1 PLACE	± 0.2	DRAFT WHERE APPLICABLE MUST REMAIN WITHIN DIMENSIONS		DOC PART	
0 PLACES	± 0.2	THIRD ANGLE PROJECTION		001	
		DRAWING		REVISION	
		A3-SIZE		B	
		SERIES		SHEET NUMBER	
		504050		1 OF 3	
		MATERIAL NUMBER		CUSTOMER	
		SEE CHART OF SHEET 1			

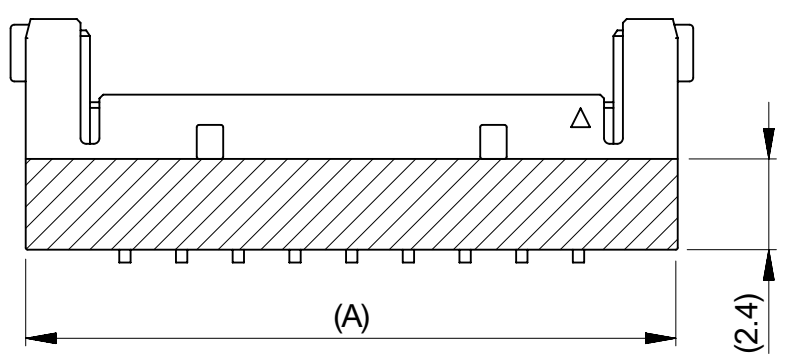


**MATED CONNECTORS**

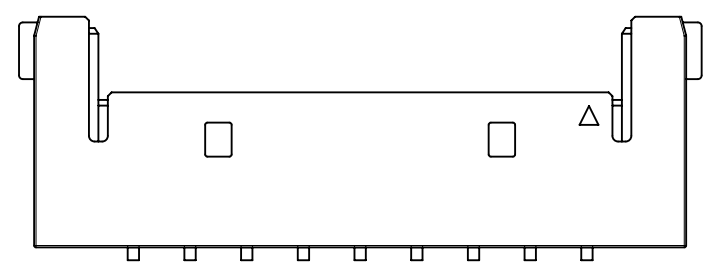
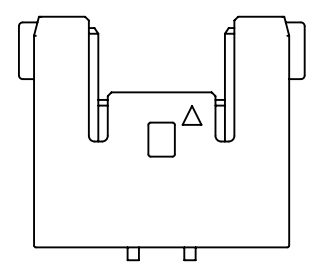
**RECOMMENDED PATTERN LAYOUT (REF.)**

推奨メタルマスク厚さ:0.1mm、開口率:100%。  
RECOMMEND STENCIL MASK THICKNESS: 0.1mm, APERTURE RATIO: 100%.

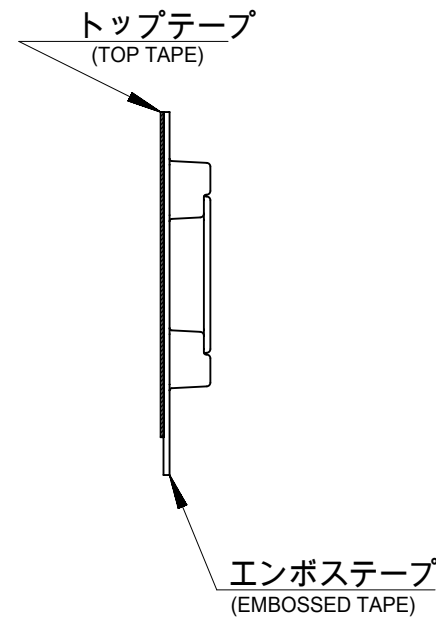
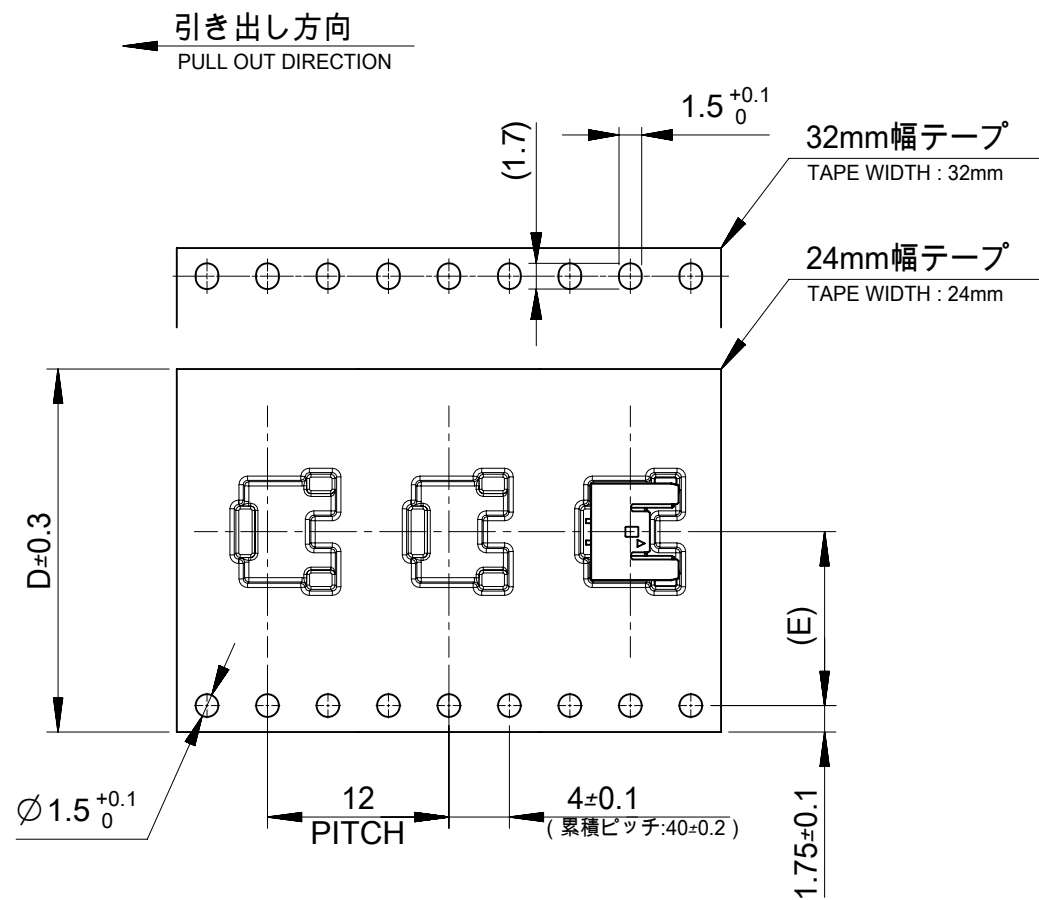
吸着エリア  
PICK-UP AREA



**NUMBER of LOCK**

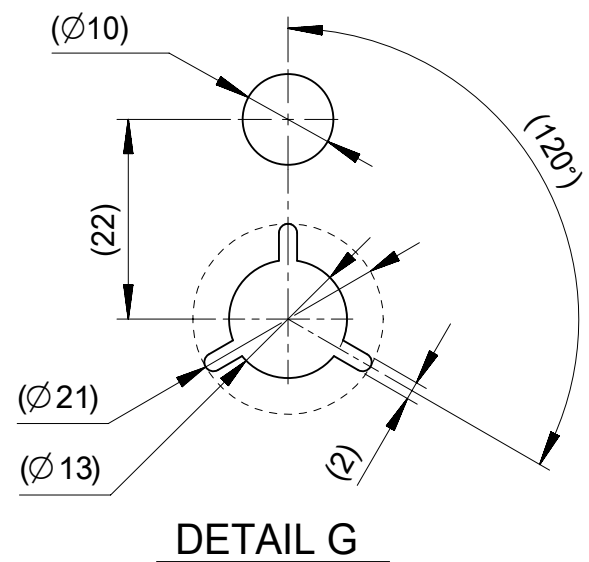
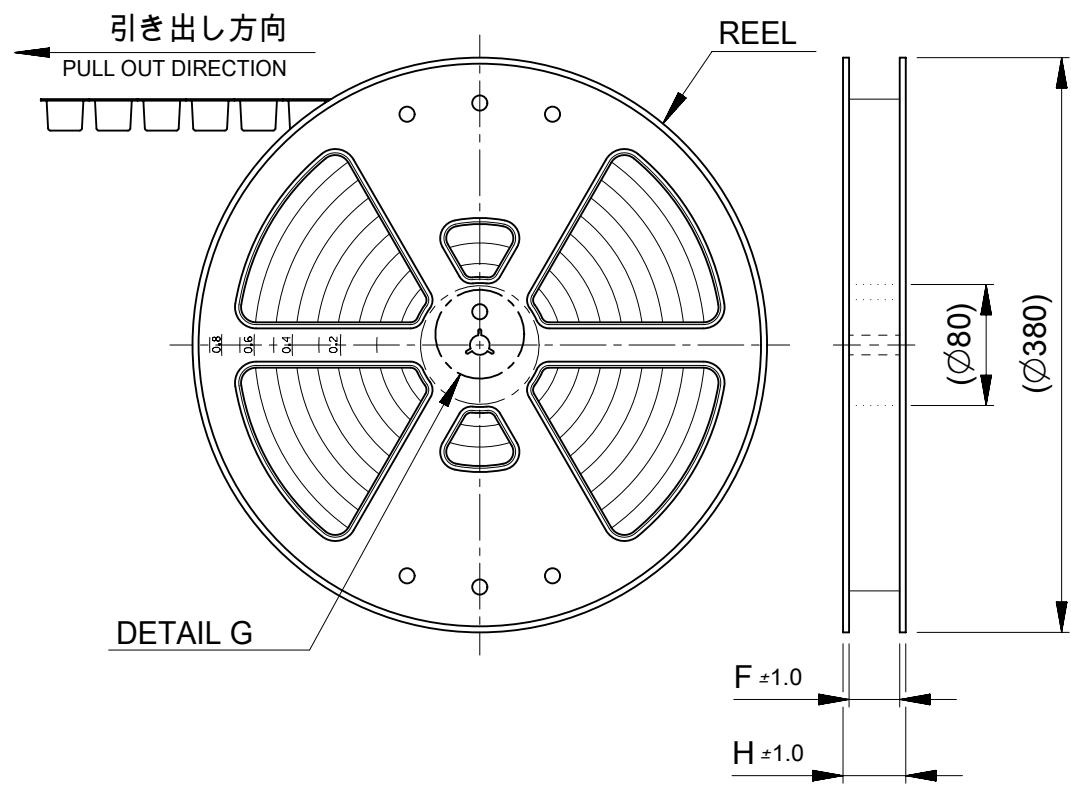
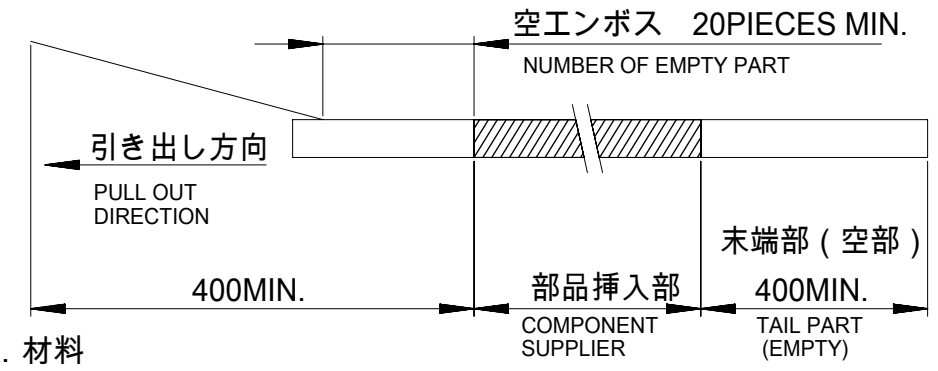


THIS DRAWING CONTAINS INFORMATION THAT IS PROPRIETARY TO MOLEX ELECTRONIC TECHNOLOGIES, LLC AND SHOULD NOT BE USED WITHOUT WRITTEN PERMISSION		CURRENT REV DESC:		<b>molex</b>	
DIMENSION UNITS	SCALE				
mm	NTS			PRODUCT CUSTOMER DRAWING	
GENERAL TOLERANCES (UNLESS SPECIFIED)		EC NO: 640538		DOCUMENT NUMBER	
ANGULAR TOL	± 3.0 °	DRWN: QHE31 2020/07/01		5040500000-SD	
4 PLACES	± 0.2	CHK'D: SAKIYAMA 2020/07/06		DOC TYPE	DOC PART
3 PLACES	± 0.2	APPR: KOMURAKAMI 2020/07/07		PSD	001
2 PLACES	± 0.2	INITIAL REVISION:		REVISION	B
1 PLACE	± 0.2	DRWN: QHE31 2019/01/22			
0 PLACES	± 0.2	APPR: KOMURAKAMI 2019/02/18			
DRAFT WHERE APPLICABLE MUST REMAIN WITHIN DIMENSIONS		THIRD ANGLE PROJECTION	DRAWING	SERIES	MATERIAL NUMBER
			A3-SIZE	504050	CUSTOMER
				SEE CHART OF SHEET 1	SHEET NUMBER
				2 OF 3	



NOTE

- 梱包数量 : 2700個 / リール  
NUMBER OF CONNECTORS : 2700 PIECES/REEL
- リードテープ長さ  
LEAD TAPE LENGTH
- 材料  
MATERIALS  
キャリアテープ:ポリスチレン(PS)  
CARRIER TAPE : POLYSTYRENE(PS)  
トップテープ:ポリエチレン(PE)、ポリエチレンテレフタレート(PET)  
TOP TAPE :POLYETHYLENE(PE) ,  
POLYETHYLENE TEREPHTHALATE(PET)  
リール:ポリスチレン(PS) (リサイクル材を含む)  
REEL : POLYSTYRENE(PS) (RECYCLE MATERIAL CONTAINED)
- ELV及びRoHS適合品  
ELV AND RoHS COMPLIANT.
- トップテープの剥離強度については、IEC 6 0 2 8 6 - 3に準拠。  
TOP TAPE PEEL FORCE IS DEFINED BY IEC60286-3.
- 梱包仕様書 : SPK-504050-001.  
PACKING INFORMATION SPK-504050-001.



37.4	33.4	14.2	32	5040501191	11
				5040500991	9
29.4	25.4	11.5	24	5040500391	3
				5040500291	2
H	F	E	D	発注番号 ORDER NO.	極数 CIRCUIT SIZE

梱包状態 : エンボス梱包  
PACKAGING : EMBOSSSED TAPE AND REEL

THIS DRAWING CONTAINS INFORMATION THAT IS PROPRIETARY TO MOLEX ELECTRONIC TECHNOLOGIES, LLC AND SHOULD NOT BE USED WITHOUT WRITTEN PERMISSION		CURRENT REV DESC:		<b>molex</b>	
DIMENSION UNITS	SCALE				
mm	NTS			PRODUCT CUSTOMER DRAWING	
GENERAL TOLERANCES (UNLESS SPECIFIED)		EC NO: 640538		DOCUMENT NUMBER	
ANGULAR TOL ± 3.0°		DRWN: QHE31 2020/07/01		5040500000-SD	
4 PLACES ± 0.2		CHK'D: SAKIYAMA 2020/07/06		DOC TYPE	
3 PLACES ± 0.2		APPR: KOMURAKAMI 2020/07/07		PSD	
2 PLACES ± 0.2		INITIAL REVISION:		DOC PART	
1 PLACE ± 0.2		DRWN: QHE31 2019/01/22		001	
0 PLACES ± 0.2		APPR: KOMURAKAMI 2019/02/18		B	
DRAFT WHERE APPLICABLE MUST REMAIN WITHIN DIMENSIONS		THIRD ANGLE PROJECTION	DRAWING	SERIES	MATERIAL NUMBER
			A3-SIZE	504050	CUSTOMER
					SEE CHART OF SHEET 1
					SHEET NUMBER
					3 OF 3