

DESCRIPTION: 21WA4 // M // COAXIAL & SIGNAL // RA PCB MOUNT

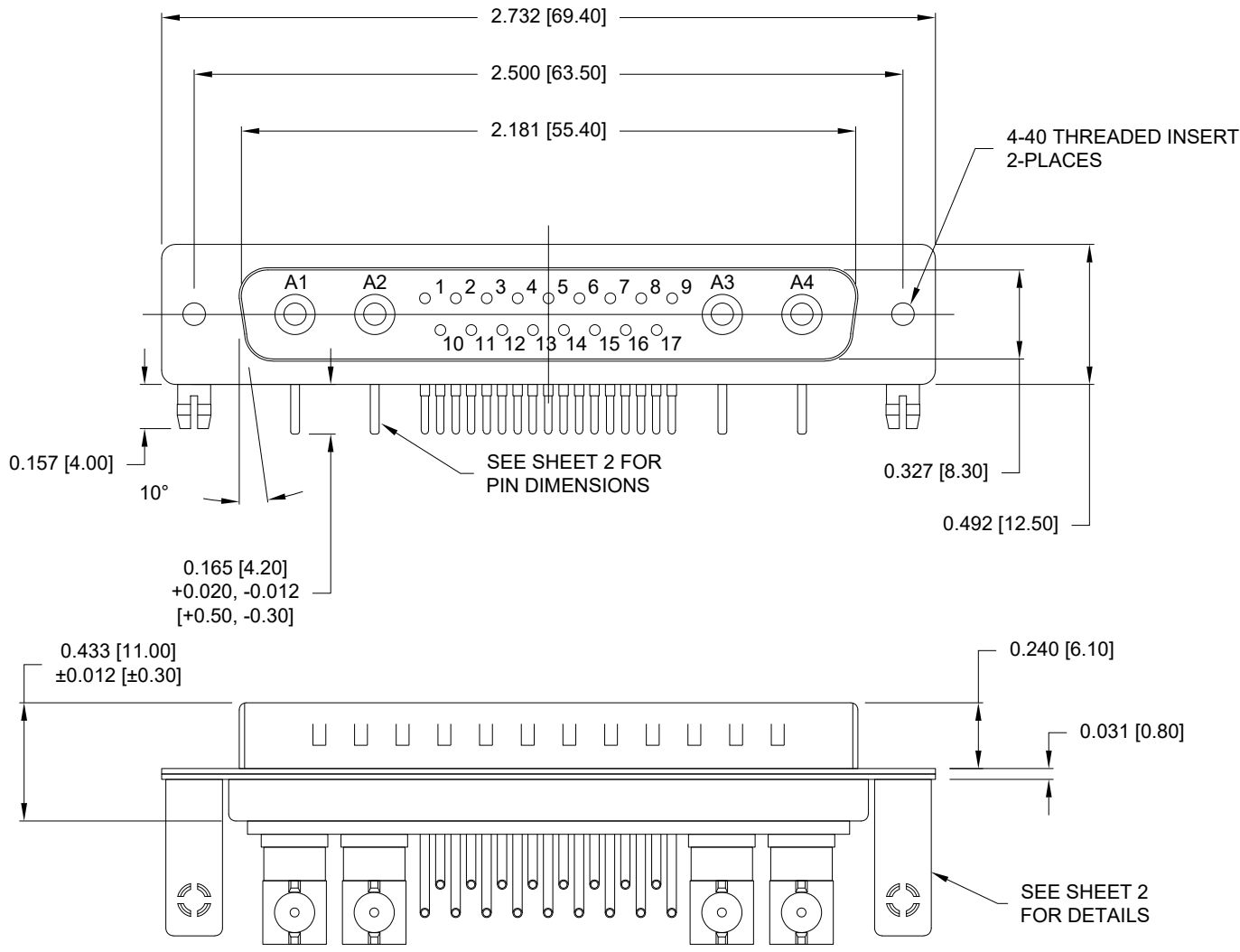
SPECIFICATIONS:

ELECTRICAL:
 INSULATOR RESISTANCE: 5 GOHMS Min.
 DIELECTRIC WITHSTANDING: 1,000VAC r.m.s.
 OPERATING TEMPERATURE: -55° C ~ +125° C
 SIGNAL CONTACT RESISTANCE: 10 MillioHMS Max.
 COAXIAL CONTACT RESISTANCE: 2.7 MillioHMS Max.
 COAXIAL IMPEDANCE: SEE P/N KEY BELOW
 SIGNAL CURRENT RATING: 5 AMPS

MECHANICAL:
 CONTACT INSERTION FORCE: 4.5 Kg Max.
 CONTACT SEPARATOR FORCE: 0.3Kg Min.

MATERIALS:
 CONTACTS: COPPER ALLOY
 INSULATOR: PBT UL94V-0 RATED, BLACK
 230°C PROCESS TEMP.
 STEEL

FINISH:
 SHELL: NICKEL
 CONTACTS: FULL GOLD FLASH



685M21WA4PLY61

1 = Gold Flash
 4 = 50 OHM
 7 = 75 OHM
 6 = 4-40 Inserts / Board Locks

RoHS COMPLIANT

UNITS = INCHES [MM] **DO NOT SCALE FROM DRAWING**

THESE DRAWINGS AND SPECIFICATIONS ARE THE PROPERTY OF NorComp AND SHALL NOT BE REPRODUCED, COPIED OR USED AS THE BASIS FOR THE MANUFACTURE OR SALE OF APPARATUS WITHOUT WRITTEN PERMISSION.

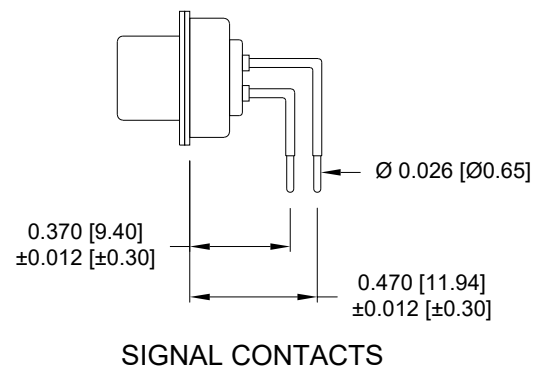
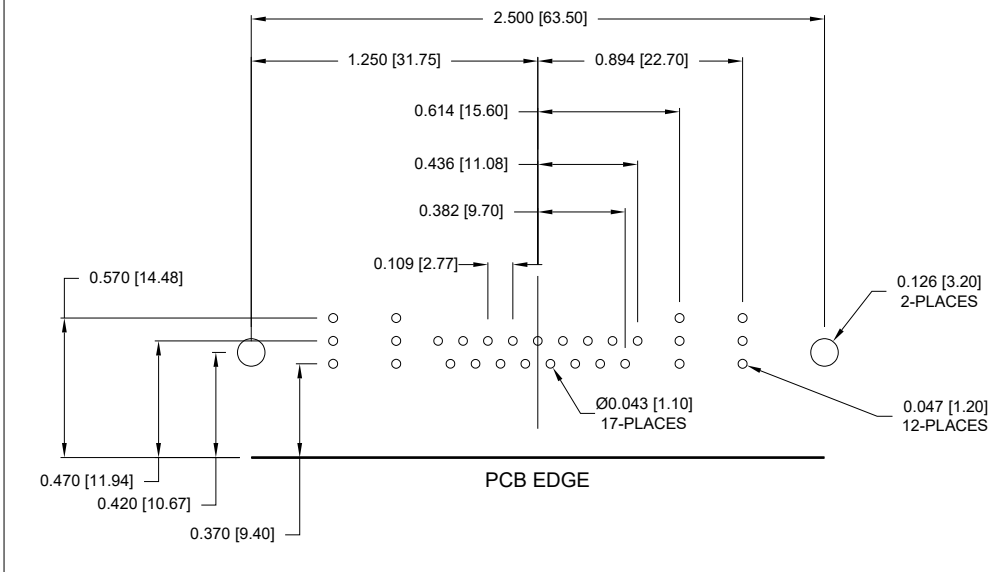
NC

DRAWN: M. SIGMON
 DATE: 02/27/2015

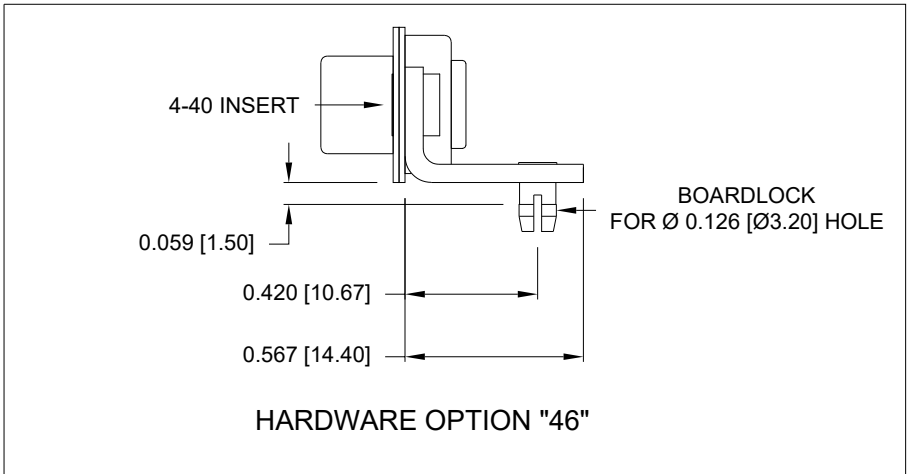
NorComp

SCALE: NTS
 SHEET 1 OF 2
 REV 3
 DWG NO: 685M21WA4PL461

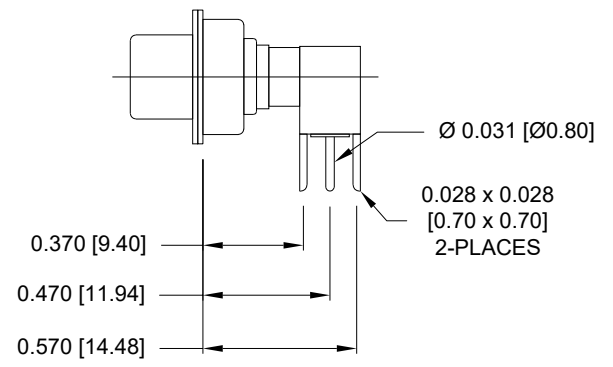
**NOTE:
COAXIAL CONTACTS COME
PRE-LOADED INTO INSULATORS**



SIGNAL CONTACTS



HARDWARE OPTION "46"



50 OHM COAXIAL CONTACT

RoHS COMPLIANT

UNITS = INCHES [MM] **DO NOT SCALE FROM DRAWING**

NC
THESE DRAWINGS AND SPECIFICATIONS ARE THE PROPERTY OF NorComp AND SHALL NOT BE REPRODUCED, COPIED OR USED AS THE BASIS FOR THE MANUFACTURE OR SALE OF APPARATUS WITHOUT WRITTEN PERMISSION.

DRAWN:
M. SIGMON
DATE:
02/27/2015

NorComp

SCALE: NTS	SHEET 2	OF 2	REV 3
DWG NO:		685M21WA4PL461	