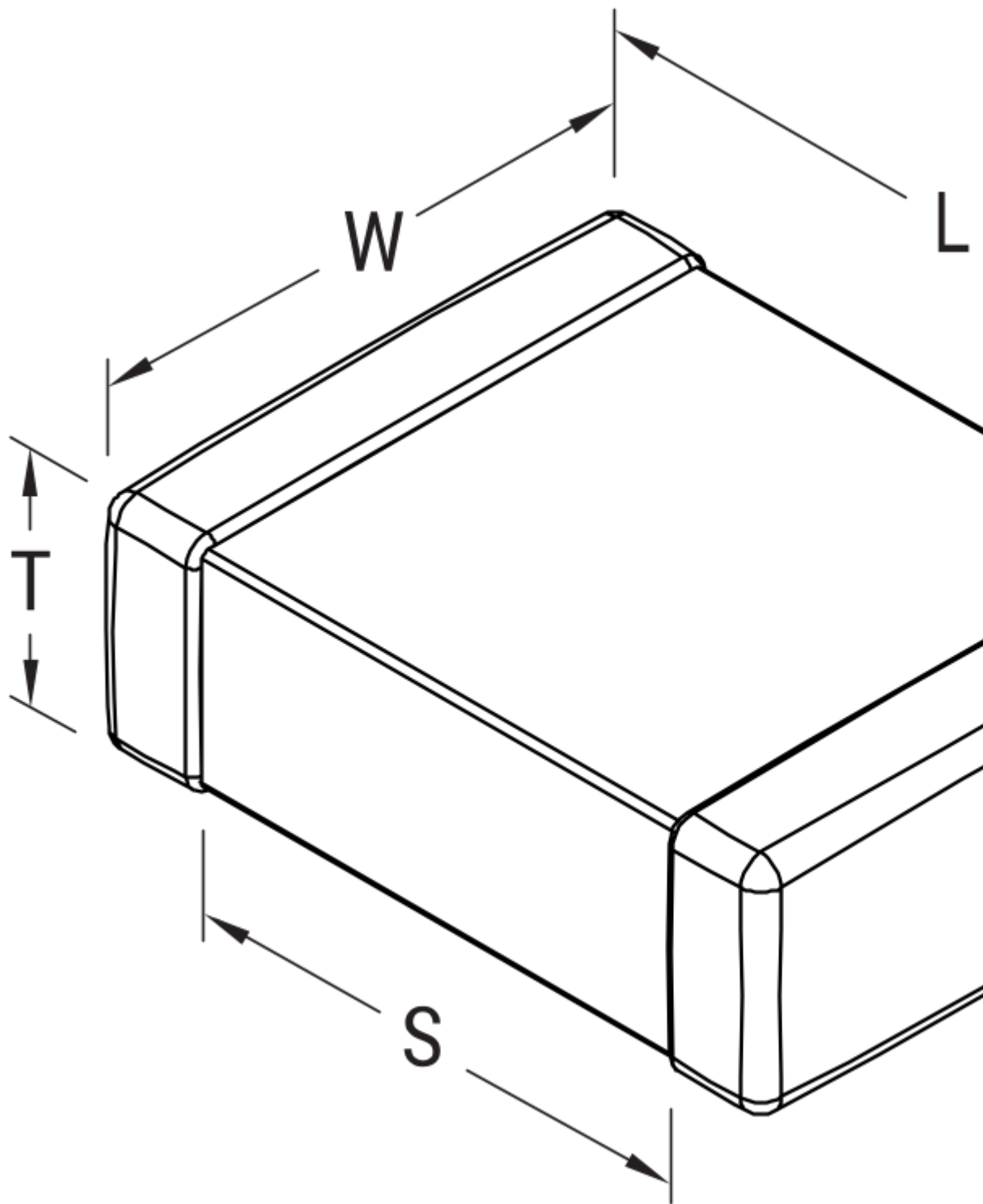


# C0402C151K4RAC7411

SMD Comm X7R, Ceramic, 150 pF, 10%, 16 VDC, X7R, SMD, MLCC, Temperature Stable, Class II, 0402



Click [here](#) for the 3D model.

## Dimensions

Chip Size 0402

L	1mm +/-0.05mm
W	0.5mm +/-0.05mm
T	0.5mm +/-0.05mm
S	0.3mm MIN

### Dimensions

B 0.3mm +/-0.1mm

### Packaging Specifications

Packaging T&R, 330mm, Paper Tape

Packaging Quantity 50000

### General Information

Series SMD Comm X7R  
Style SMD Chip  
Description SMD, MLCC, Temperature Stable, Class II  
Features Temperature Stable, Class II  
RoHS Yes  
Termination Tin  
Marking No  
AEC-Q200 No  
Component Weight 1.21 mg  
Shelf Life 78 Weeks  
MSL 1

### Specifications

Capacitance 150 pF  
Measurement Condition 1 kHz 1.0Vrms  
Capacitance Tolerance 10%  
Voltage DC 16 VDC  
Dielectric Withstanding Voltage 40 VDC  
Temperature Range -55/+125°C  
Temperature Coefficient X7R  
Capacitance Change with Reference to +25°C and 0 VDC Applied (TCC) 15%, 1kHz 1.0Vrms  
Dissipation Factor 3.5% 1 kHz 1.0Vrms  
Aging Rate 3% Loss/Decade Hour: Referee Time is 1000 Hours  
Insulation Resistance 100 GOhms

Statements of suitability for certain applications are based on our knowledge of typical operating conditions for such applications, but are not intended to constitute - and we specifically disclaim - any warranty concerning suitability for a specific customer application or use. This Information is intended for use only by customers who have the requisite experience and capability to determine the correct products for their application. Any technical advice inferred from this Information or otherwise provided by us with reference to the use of our products is given gratis, and we assume no obligation or liability for the advice given or results obtained.

Generated 5/18/2023 - 875ed682-4fcd-4098-8433-597e8e0e8187

© 2006 - 2023 KEMET

Generated 5/18/2023 - 875ed682-4fcd-4098-8433-597e8e0e8187

© 2006 - 2023 KEMET