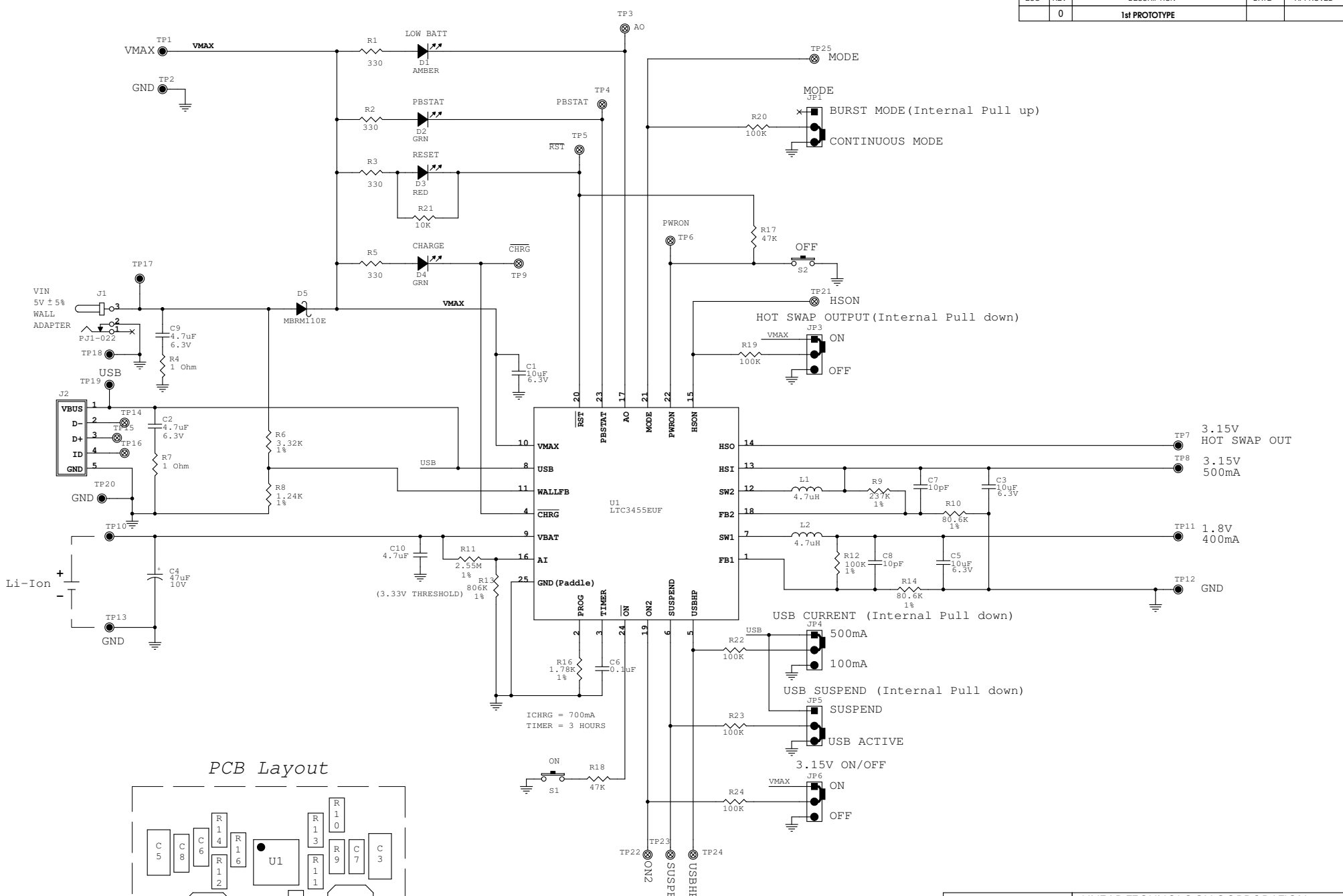
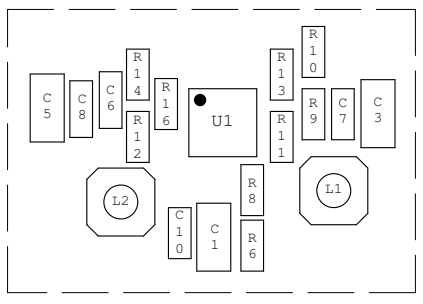


REVISION HISTORY				
ECO	REV	DESCRIPTION	DATE	APPROVED
	0	1st PROTOTYPE		



PCB Layout



This circuit is proprietary to Linear Technology and supplied for use with Linear Technology parts.
Customer Notice: Linear Technology has made a best effort to design a circuit that meets customer-supplied specifications; however, it remains the customer's responsibility to verify proper and reliable operation in the actual application. Component substitution and printed circuit board layout may significantly affect circuit performance or reliability. Contact Linear Applications Engineering for assistance.

APPROVALS		LINEAR TECHNOLOGY CORPORATION	
DRAWN: Rudy Bautista		1630 McCARTHY BLVD MILPITAS, CA. 95035 (408)432-1900 (408)434-0507 (FAX)	
ENGINEER: David Canny		www.linear.com LTC Confidential - For Customer Use Only	
APPROVED:		Rev USB Power Solution	
CHECKED:		Size Document Number	
		Date: Wednesday, November 29, 2006	
		Sheet 1 of 1	
		Demo Circuit 631B	
		Rev 0	