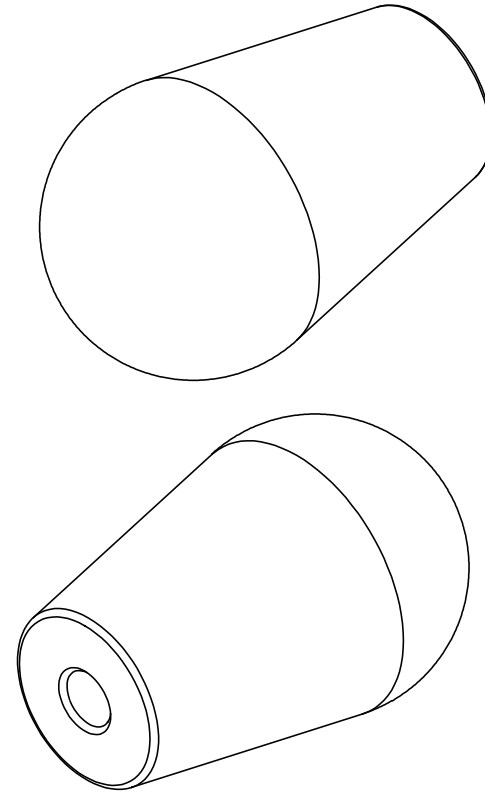
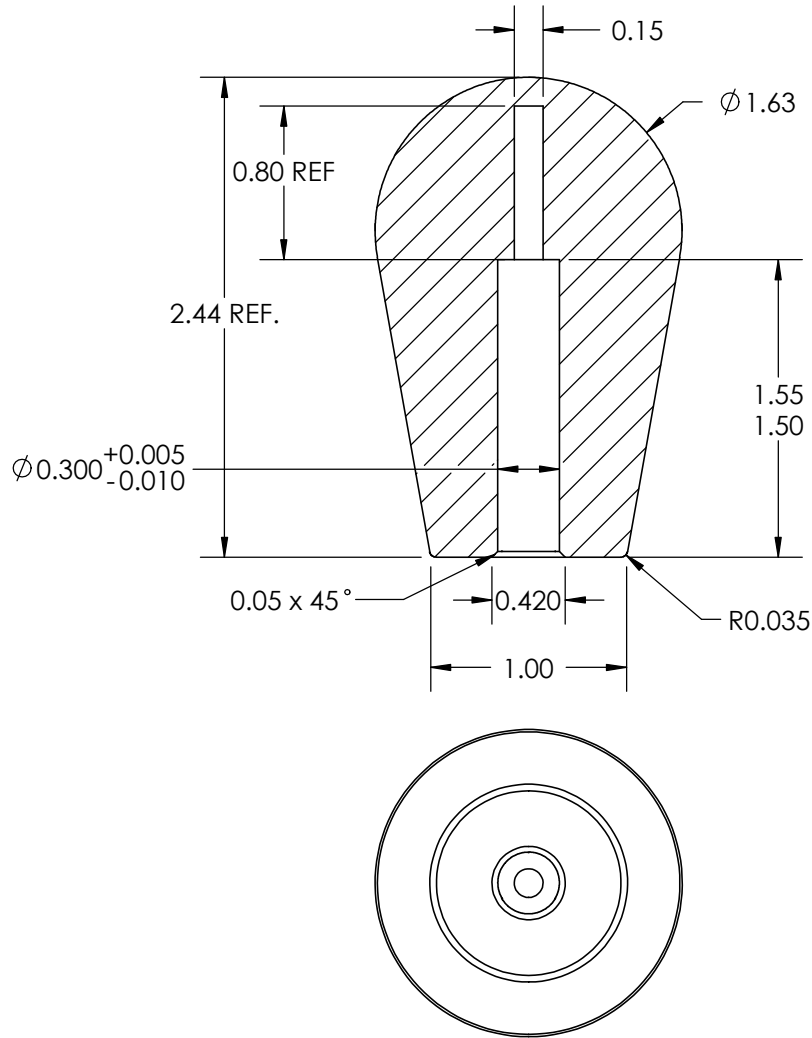


PATENT PENDING



FOR CUSTOMER APPROVAL ONLY				REV	BY	DATE	COMMENT	DIMENSIONS ARE IN INCHES TOLERANCES FRACTIONAL ± TWO PLACE DECIMAL ± 0.03 THREE PLACE DECIMAL ± 0.015 UNLESS OTHERWISE NOTED		DRAWN	COR	 INNOVATIVE COMPONENTS	
NAME:	0	LQR	03/15/11				RELEASE DATE			APPROVED	LQR		PART NAME 1.63" Press Fit Shift Knob, Black, All Soft Touch to Accept 3/8
	1	LQR	03/17/11				Added Core Out			DATE	03/30/2012	COMMENTS PART NUMBER KN6X--PFS5--S--	
TITLE:	2	JPAH	01/09/12				Added Specifications			KNOB MATERIAL TPE-48, Black			
DATE:	3	COR	03/30/12				Added Ref to 0.80 Dimension			KNOB FINISH Textured		SCALE 1:1	
SIGNATURE:	PROPRIETARY AND CONFIDENTIAL THE INFORMATION CONTAINED IN THIS DRAWING IS THE SOLE PROPERTY OF INNOVATIVE COMPONENTS. ANY REPRODUCTION IN PART OR AS A WHOLE WITHOUT THE WRITTEN PERMISSION OF INNOVATIVE COMPONENTS IS PROHIBITED.									INSERT PART NUMBER		SHEET 1 OF 1	