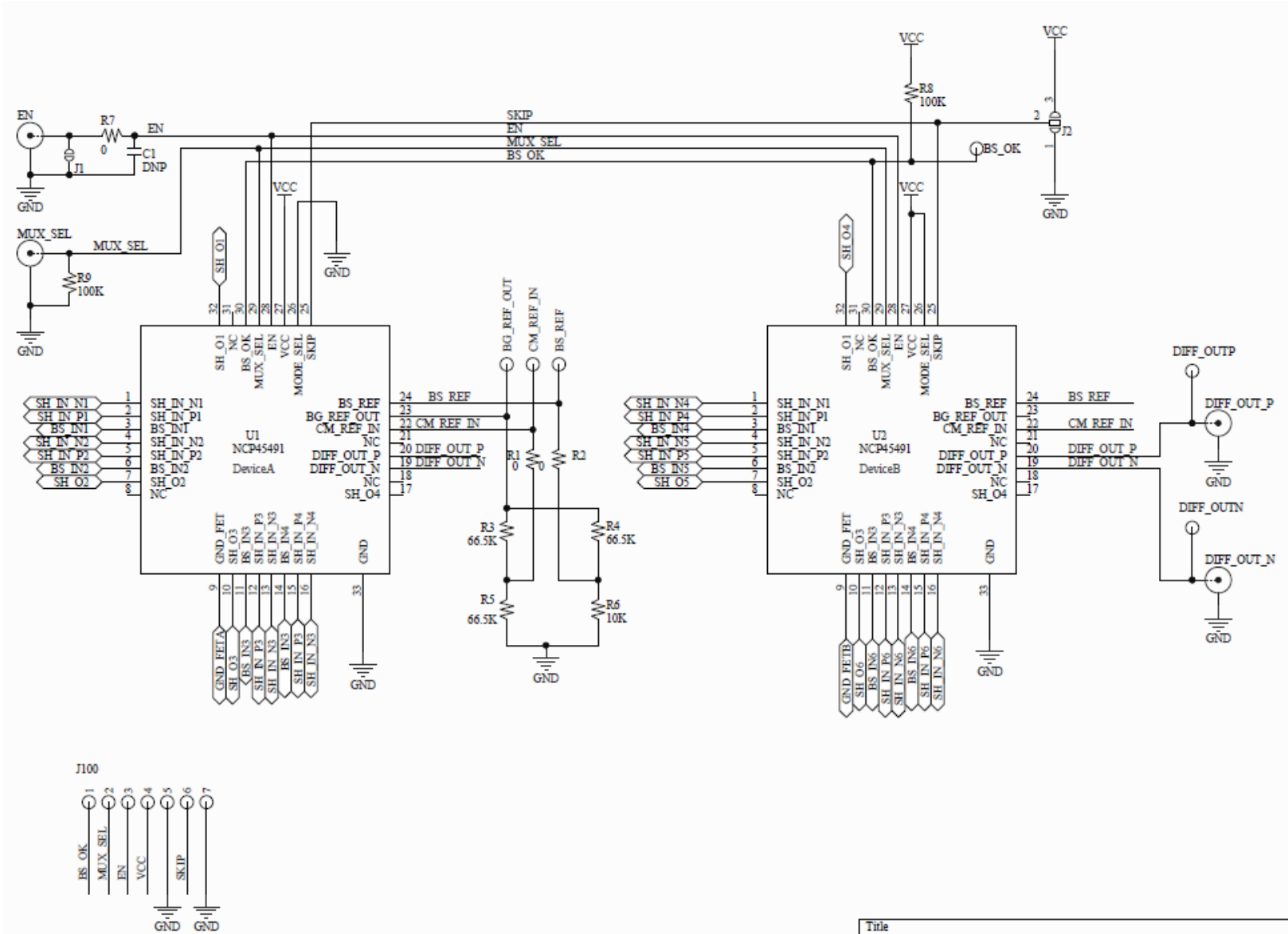
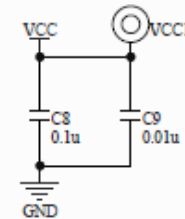
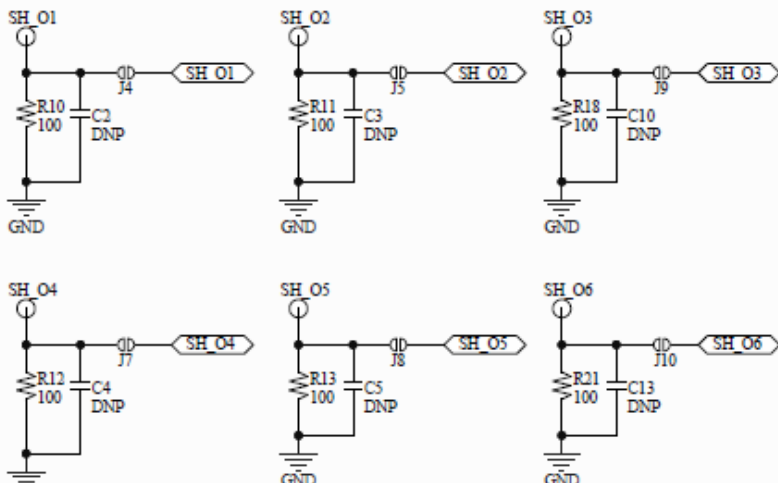
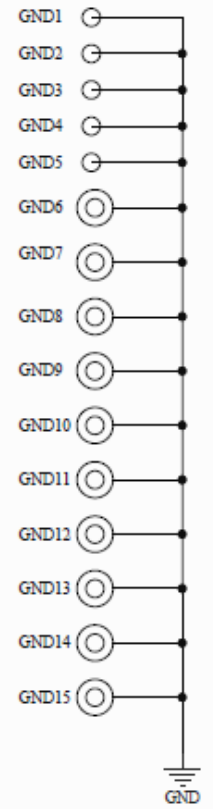
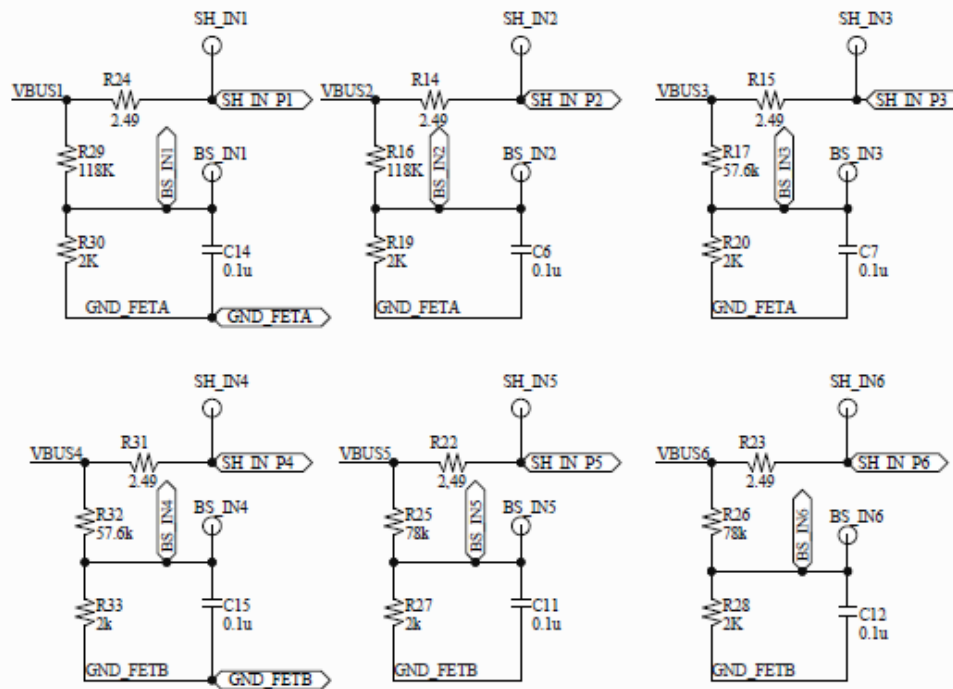
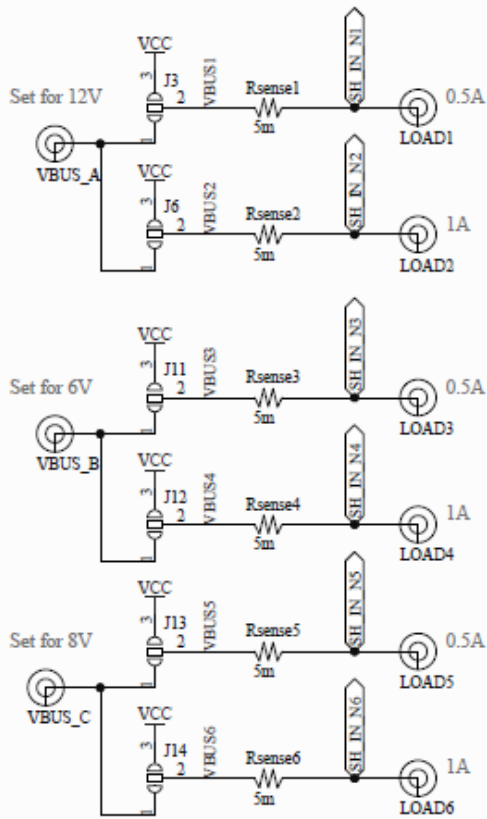


Schematic for the NCP45491PMNGEVB Evaluation Board





Title		
NCP45401PMNGEVB		
Size	Number	Revision
	NCP45401PMNGEVB	1.0