

MODELS:

# PDU3VN3L2120LV, PDU3VN10L2120LV

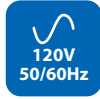
## 3-Phase Monitored Rackmount PDU



**208V  
3-Phase Input**



**L21-20P Plug**



**120V Single-Phase Output**



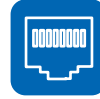
**36 Outlets**



**5.7kW Load Capacity**



**Multimode Load Meter**



**Network Interface**

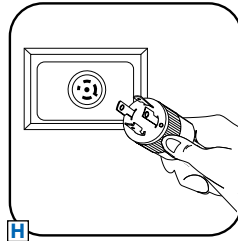


**0U Rackmount**



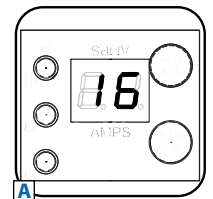
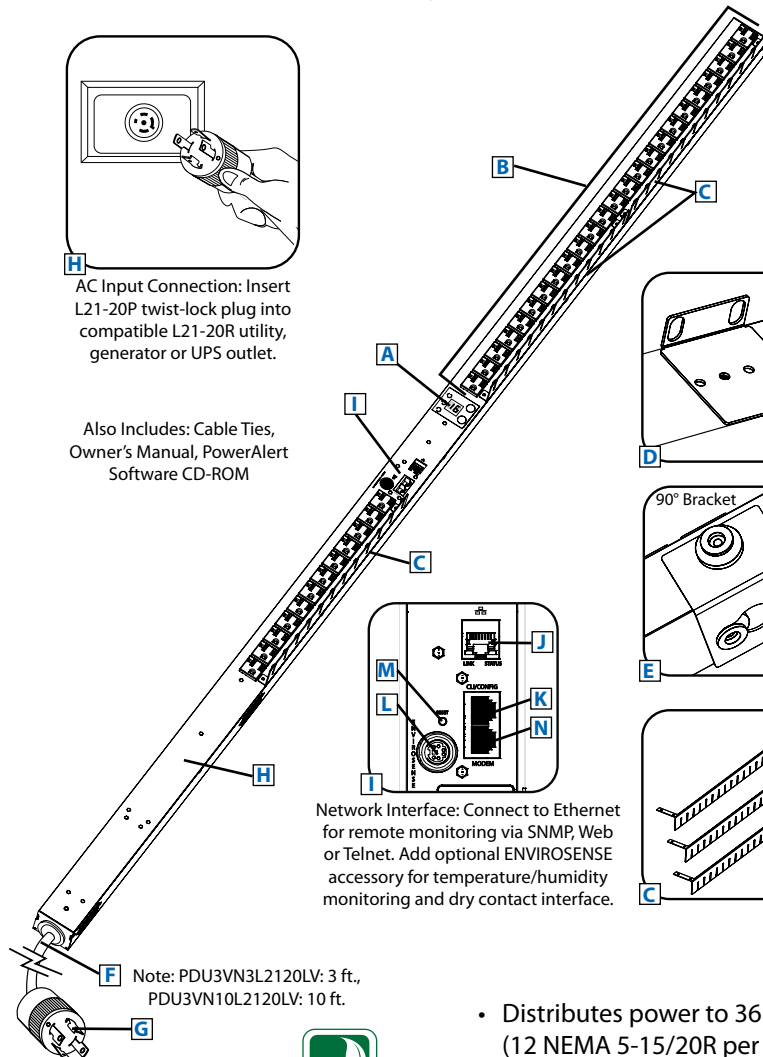
**Toolless Mounting Buttons**

- A** Digital Load Meter
- B** NEMA 5-20R Outlets
- C** Removable Cord Retention Brackets
- D** Removable Mounting Brackets
- E** Toolless Mounting Buttons with Removable 90° Rotation Brackets
- F** PDU3VN3L2120LV: 3-ft. Input Power Cord  
PDU3VN10L2120LV: 10-ft. Input Power Cord
- G** L21-20P Twist-Lock Input Plug
- H** Durable Metal Case
- I** Network Interface
- J** RJ45 Ethernet Jack
- K** Manual Configuration Port
- L** Environmental Monitoring Port
- M** Network Interface Reset Button
- N** Modem Port (For Future Use)

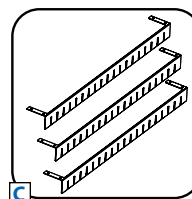
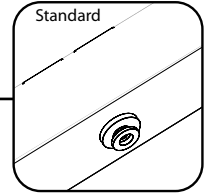
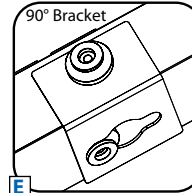
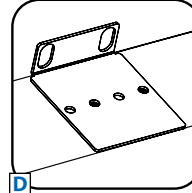


**H** AC Input Connection: Insert L21-20P twist-lock plug into compatible L21-20R utility, generator or UPS outlet.

Also Includes: Cable Ties, Owner's Manual, PowerAlert Software CD-ROM



**A** Multimode Load Meter: Display the load for any outlet or output phase, display the IP address or rotate the display 180°.



**I** Network Interface: Connect to Ethernet for remote monitoring via SNMP, Web or Telnet. Add optional ENVIROSENSE accessory for temperature/humidity monitoring and dry contact interface.

**F** Note: PDU3VN3L2120LV: 3 ft., PDU3VN10L2120LV: 10 ft.



### Specifications

<b>Models</b>	PDU3VN3L2120LV, PDU3VN10L2120LV
<b>Voltage</b>	208V 3-Phase Input/120V Single-Phase Output
<b>Frequency</b>	50/60Hz
<b>Load Capacity</b>	5.7kW
<b>Input Plug</b>	L21-20P
<b>Input Cord Length</b>	PDU3VN3L2120LV: 3 ft., PDU3VN10L2120LV: 10 ft.
<b>Outlets</b>	36 (NEMA 5-15/20R)
<b>Primary Mounting Option</b>	0U (Vertical) Rackmount
<b>Unit Weight &amp; Dimensions</b>	PDU3VN3L2120LV: 7.6 lbs / 70 x 2.19 x 3.26 in. PDU3VN10L2120LV: 10.1 lbs / 70 x 2.19 x 3.26 in. <i>See next page for detailed unit measurements.</i>
<b>Certifications</b>	Tested to UL 60950-1 (US & Canada), NOM (Mexico), FCC Class A

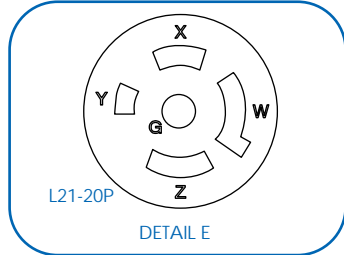
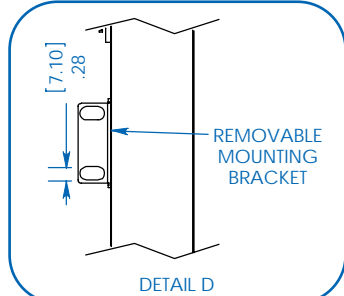
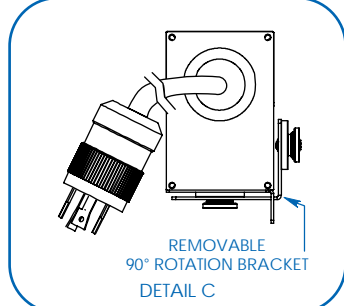
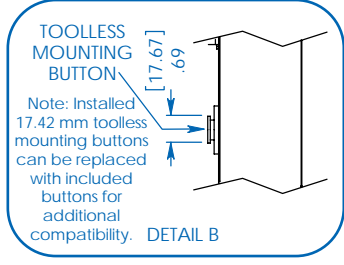
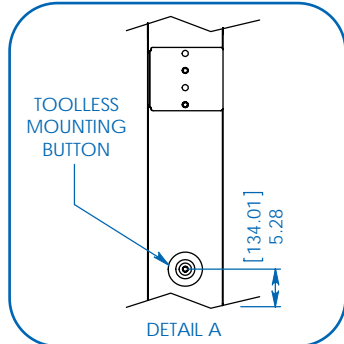
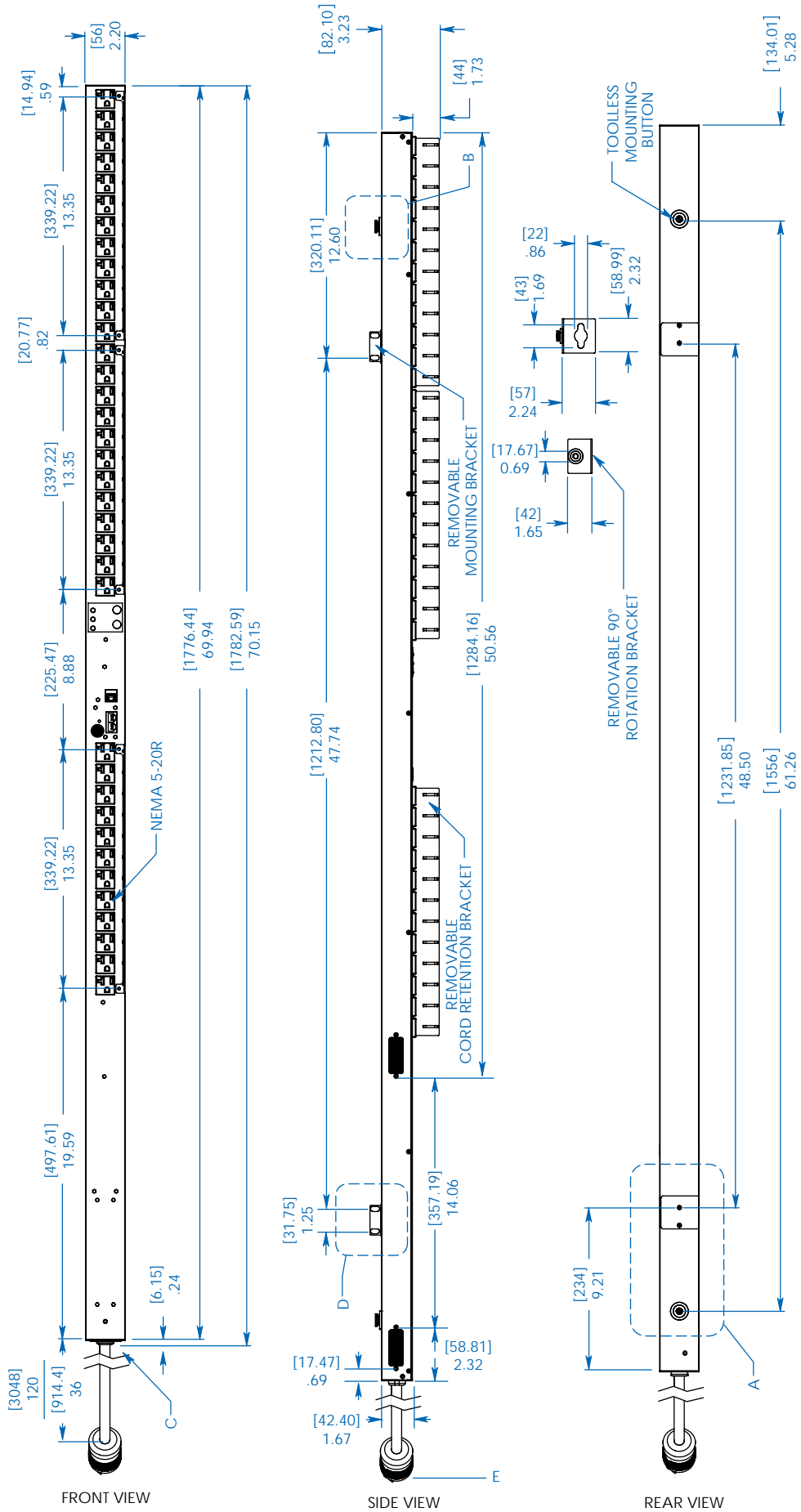
Tripp Lite has a policy of continuous improvement. Specifications are subject to change without notice.

- Distributes power to 36 outlets (12 NEMA 5-15/20R per phase)
- Remote monitoring and control via SNMP, Web or Telnet
- Displays load for any output phase in real time
- Perfect for rackmount server, network and telecom applications

**SEE NEXT PAGE FOR DETAILED UNIT MEASUREMENTS**



1111 W. 35th Street  
Chicago, IL 60609 USA  
773.869.1234  
www.tripplite.com



MODELS:  
**PDU3VN3L2120LV,**  
**PDU3VN10L2120LV**



1111 W. 35th Street  
 Chicago, IL 60609 USA  
 773.869.1234  
 www.tripplite.com

Dimensions: [mm] INCHES

Tripp Lite has a policy of continuous improvement. Specifications are subject to change without notice.