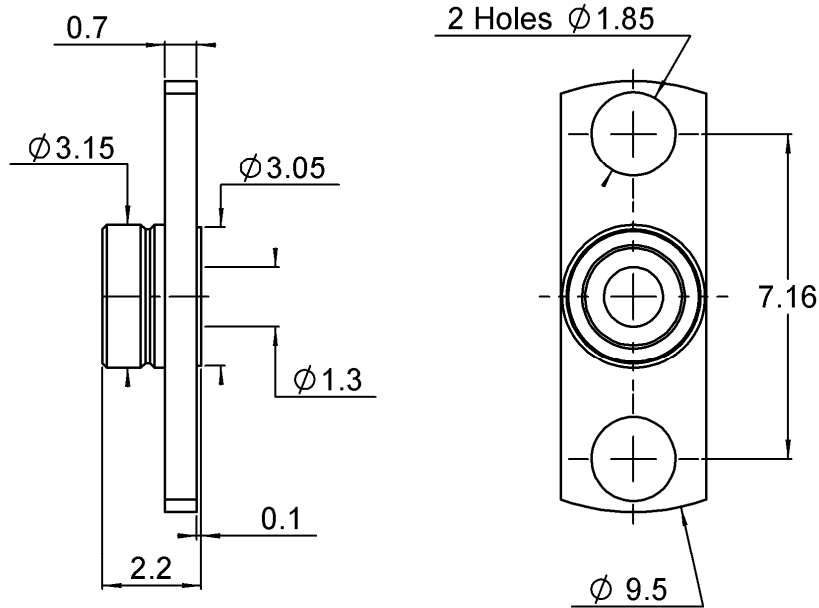


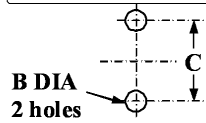
**DIRECT SOLDER 2 HOLES FLANGE**  
**FOR PIN 0.3 MM FULL DETENT**

**R201.450.001**

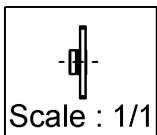
Series : SMPM



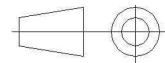
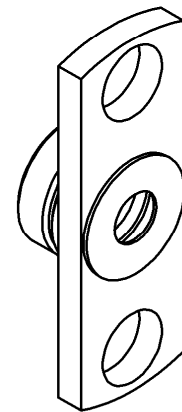
**PANEL CUT OUT**



	mm	
	Maxi	mini
B	1.9	1.8
C	7.21	7.11



All dimensions are in mm.



COMPONENTS	MATERIALS	PLATING (µm)
BODY	STAINLESS STEEL	PASSIVATED
CENTER CONTACT	-	-
OUTER CONTACT	-	-
INSULATOR	-	-
GASKET	-	-
OTHERS PARTS	-	-
-	-	-
-	-	-

Issue : 1408 A

In the effort to improve our products, we reserve the right to make changes judged to be necessary.



**DIRECT SOLDER 2 HOLES FLANGE**

**R201.450.001**

**FOR PIN 0.3 MM FULL DETENT**

Series : SMPM

**PACKAGING**

**SPECIFICATION**

Standard	Unit	Other
<b>100</b>	<b>'W' option</b>	<b>Contact us</b>

**ELECTRICAL CHARACTERISTICS**

**ENVIRONMENTAL**

Impedance	NA	$\Omega$
Frequency	NA	GHz
VSWR	NA + <b>0,0000</b>	x F(GHz) Maxi
Insertion loss	NA	$\sqrt{F}$ (GHz) dB Maxi
RF leakage	NA - (	F(GHz)) dB Maxi
Voltage rating	NA	Veff Maxi
Dielectric withstanding voltage	NA	Veff mini
Insulation resistance	NA	M $\Omega$ mini

Operating temperature	<b>-65/+165</b>	$^{\circ}$ C
Hermetic seal	NA	Atm.cm3/s
Panel leakage	NA	

**OTHER CHARACTERISTICS**

Assembly instruction

Others :

**MECHANICAL CHARACTERISTICS**

Center contact retention		
Axial force – Mating end	NA	N mini
Axial force – Opposite end	NA	N mini
Torque	NA	N.cm mini
Recommended torque		
Mating	NA	N.cm
Panel nut	NA	N.cm
Mating life	<b>100</b>	Cycles mini
Weight	<b>0,1300</b>	g

Issue : 1408 A

In the effort to improve our products, we reserve the right to make changes judged to be necessary.

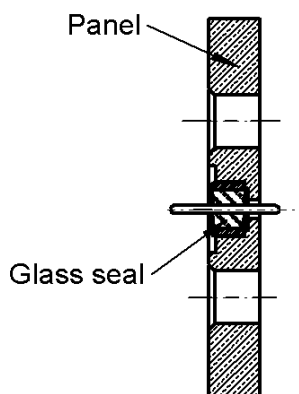


**DIRECT SOLDER 2 HOLES FLANGE****R201.450.001****FOR PIN 0.3 MM FULL DETENT**

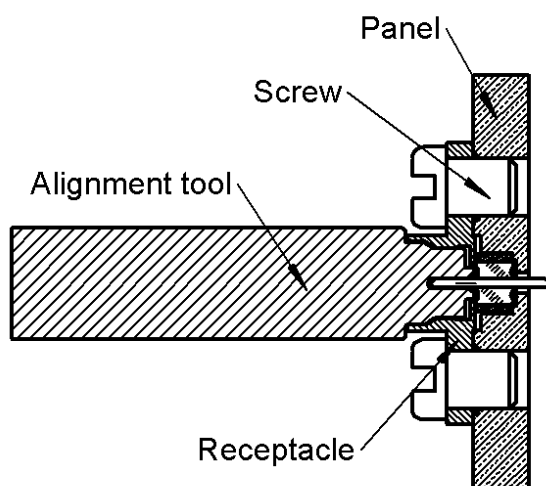
Series : SMPM

**ADDITIONAL INFORMATIONS  
MOUNTING INSTRUCTIONS**

Check the quality of the soldering, as well as the position of the glass seal in the package.



Place the receptacle and pre-assemble screw on the package.  
Mount the alignment tool R282.860.030 into the flange to ensure a good concentricity.  
Screw the receptacle on the package.  
Remove the aligning positioner.



Issue : 1408 A

In the effort to improve our products, we reserve the right to make changes judged to be necessary.

**RADIALL** 