

REVISIONS					
REV	ECO	DESCRIPTION	DATE	BY	APPR
B1	-	RELEASE NEW DWG FORMAT	08/14/14	DRACK	TOMMY
B2	-	CHANGED THE MOUNTING HOLE	01/04/15	DRACK	TOMMY
B3	-	UPDATE DRAWING	3-SEP-16	DRACK	TOMMY
B4	-	ADD PART NUMBER	Jun-25-18	FLAN	TOMMY
B5	-	UPDATE VOLTAGE	Jun-22-20	FLAN	TOMMY

NOTES:

- MATERIAL:
 - HOUSING BODY: SEE TABLE 1
 - INSULATION INSERT: PA66,UL94 V0
 - CONTACT: COPPER ALLOY, SILVER PLATED
 - SEAL: SILICONE RUBBER
- SPECIFICATIONS:
 - CURRENT RATING: 300 AMPS MAX.
 - VOLTAGE RATING: 1000 V AC/DC \triangle_{B5}
 - OPERATING TEMPERATURE: -40°C TO +125°C
 - DIELECTRIC WITHSTANDING VOLTAGE: LESS THAN 2 MILLIAMPS CURRENT IEAKAGE @ 5000 VOLTS AC
 - DEGREE OF PROTECTION: IP67 (MATED CONDITION)
 - DEGREE OF POLLUTION: 3 PER UL840
 - OVERVOLTAGE CATEGORY: III PER UL840
 - MATING CYCLE DURABILITY: >100 CYCLES
 - RoHS COMPLIANT
- ALL DIMENSIONS ARE FOR REFERENCE USE ONLY.
- *** DENOTE KEY POSTION OF "N","W","X","Y" OR "Z".
- CONTACT P/N: HPDHS

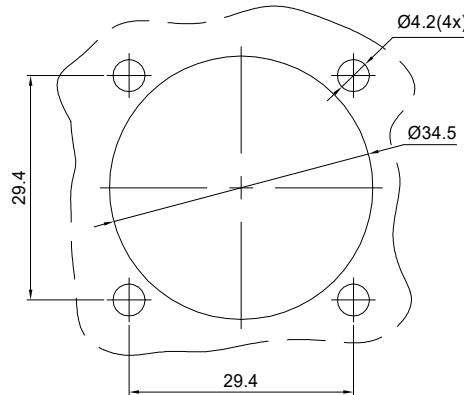
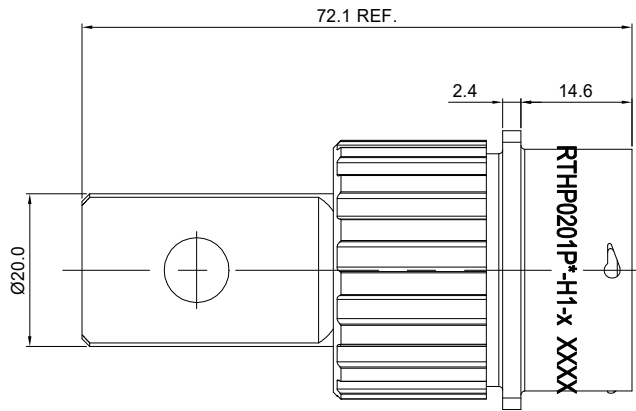
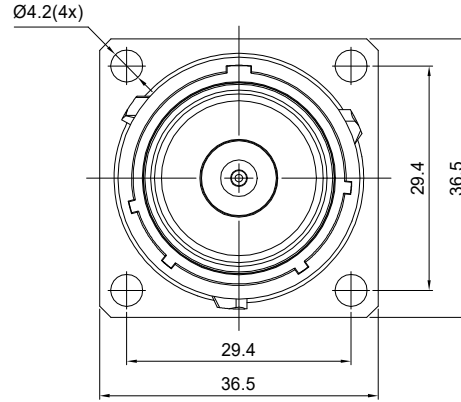
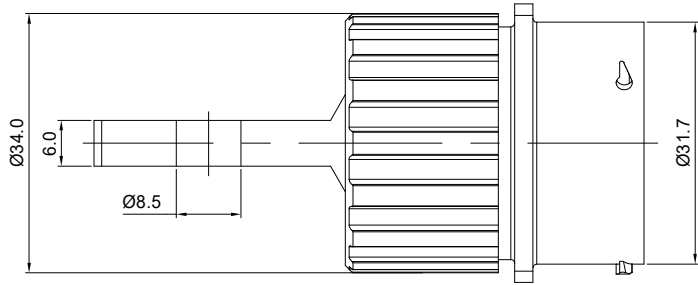
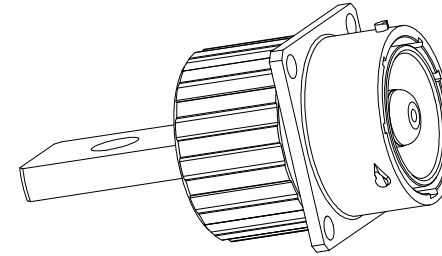


TABLE 1 \triangle_{B4}

KEY POS	PART NO.	HOUSING BODY
N	RTHP0201PN-H1	ZINC DIE CAST,NICKEL PLATED
	RTHP0201PN-H1-Z	ZINC DIE CAST,BLACK ZINC PLATED
	RTHP0201PN-H1-G	ZINC DIE CAST,GREEN ZINC PLATED
	RTHP0201PN-H1-BLK	ZINC DIE CAST,PRINT WITH BLACK INK
W	RTHP0201PW-H1	ZINC DIE CAST,NICKEL PLATED
	RTHP0201PW-H1-Z	ZINC DIE CAST,BLACK ZINC PLATED
	RTHP0201PW-H1-G	ZINC DIE CAST,GREEN ZINC PLATED
	RTHP0201PW-H1-BLK	ZINC DIE CAST,PRINT WITH BLACK INK
X	RTHP0201PX-H1	ZINC DIE CAST,NICKEL PLATED
	RTHP0201PX-H1-Z	ZINC DIE CAST,BLACK ZINC PLATED
	RTHP0201PX-H1-G	ZINC DIE CAST,GREEN ZINC PLATED
	RTHP0201PX-H1-BLK	ZINC DIE CAST,PRINT WITH BLACK INK
Y	RTHP0201PY-H1	ZINC DIE CAST,NICKEL PLATED
	RTHP0201PY-H1-Z	ZINC DIE CAST,BLACK ZINC PLATED
	RTHP0201PY-H1-G	ZINC DIE CAST,GREEN ZINC PLATED
	RTHP0201PY-H1-BLK	ZINC DIE CAST,PRINT WITH BLACK INK
Z	RTHP0201PZ-H1	ZINC DIE CAST,NICKEL PLATED
	RTHP0201PZ-H1-Z	ZINC DIE CAST,BLACK ZINC PLATED
	RTHP0201PZ-H1-G	ZINC DIE CAST,GREEN ZINC PLATED
	RTHP0201PZ-H1-BLK	ZINC DIE CAST,PRINT WITH BLACK INK

Mounting Hole

QUANTITY	SEE PART NUMBER CHART	DESCRIPTION	ITEM								
MATERIALS LIST											
UNLESS OTHERWISE SPECIFIED 1) All dimensions are in metric(mm). 2) Tolerances are as follows: 1 PL DEC ±0.30 2 PL DEC ±0.15 3 PL DEC ±0.08 3) Note reference = \triangle		SIGNATURES DRAWN: Flan CHECKED: Orion ENGINEER: APPROVAL: Tommy DATE Jun-22-20 Jun-23-20 Jun-22-20	<p style="text-align: center;">Amphenol</p> <p style="text-align: center;">Sine Systems - www.amphenol-sine.com 44724 Morley Drive Clinton Township, MI 48036</p>								
MATERIAL SPECIFICATIONS:		CUSTOMER:	ECO-MATE, RECEPTACLE, 10mm SINGLE PIN CONTACT, FLATE HOLE TYPE, FLANGE WALL MOUNTING								
PROCESS SPECIFICATIONS:		THIS DRAWING IS SUPPLIED FOR INFORMATION ONLY. DESIGN FEATURES, SPECIFICATIONS AND PERFORMANCE DATA SHOWN HEREON ARE THE PROPERTY OF THE AMPHENOL CORPORATION. NO RIGHTS OF REPRODUCTION ARE IMPLIED. ALL DIMENSIONS ARE SUBJECT TO NORMAL MANUFACTURING VARIATIONS.	<table border="1"> <tr> <td>SIZE</td> <td>TYPE</td> <td>DWG NO:</td> <td>REVISION</td> </tr> <tr> <td>B</td> <td>C-</td> <td>RTHP0201P*-H1-x</td> <td>B5</td> </tr> </table>	SIZE	TYPE	DWG NO:	REVISION	B	C-	RTHP0201P*-H1-x	B5
SIZE	TYPE	DWG NO:	REVISION								
B	C-	RTHP0201P*-H1-x	B5								
NEXT ASSY:	SCALE: 3 : 2	SHEET 1 OF 1									