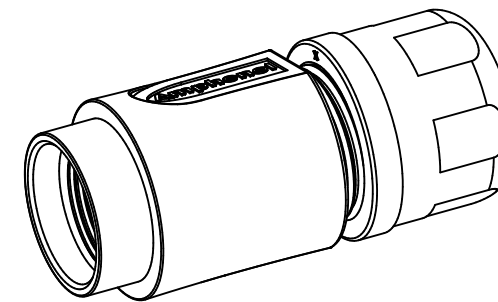
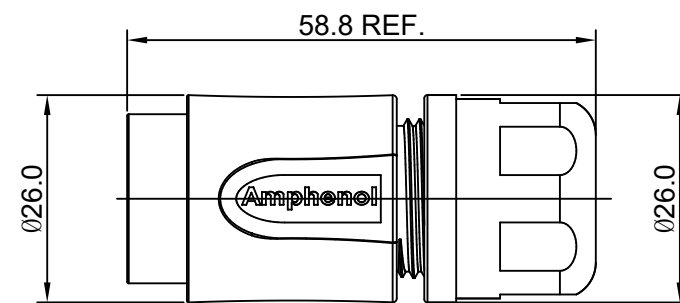
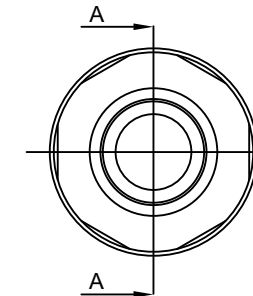
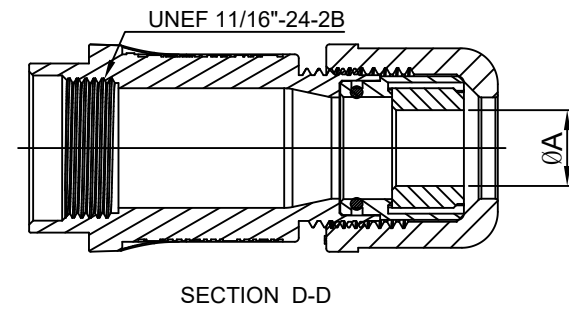


REVISIONS					
REV	ECO	DESCRIPTION	DATE	BY	APPR
01	-	RELEASED NUMBER	2017-11-09	Nick	TOMMY



DIMENSION ϕA	CABLE OD RANGE
9.5 MM	6.0~9.0MM
12.2 MM	8.5~12.0MM

NOTES: (UNLESS OTHERWISE SPECIFIED)

- MATERIAL:
O-RING: SILICONE RUBBER.
BACK SHELL: THERMOPLASTIC, UL94 V-0.
CLAMP NUT: THERMOPLASTIC, UL94 V-0.
CLAMP RING: THERMOPLASTIC, UL94 V-0.
CABLE SEAL: EPDM.
- RoHS COMPLIANT.
- ALL DIMENSIONS ARE FOR REFERENCE USE ONLY.

QUANTITY	PART NUMBER	DESCRIPTION	ITEM
MATERIALS LIST			
UNLESS OTHERWISE SPECIFIED 1) All dimensions are in metric (mm). 2) Tolerances are as follows: 1 PL DEC ± 0.30 2 PL DEC ± 0.15 3 PL DEC ± 0.08 Fractions $\pm 1/64$ Angles $\pm 1^\circ$ 3) Note reference =		SIGNATURES DRAWN: Nick CHECKED: Tod ENGINEER: APPROVAL: Tommy DATE 2017-11-09 2017-11-09 2017-11-09	<div style="text-align: center;"> <h1>Amphenol</h1> <p>Sine Systems - www.amphenol-sine.com 44724 Morley Drive Clinton Township, MI 48036</p> </div>
MATERIAL SPECIFICATIONS:		CUSTOMER: ECO-MATE, CORD GRIP, RTS, SIZE 12.	
PROCESS SPECIFICATIONS:		THIS DRAWING IS SUPPLIED FOR INFORMATION ONLY. DESIGN FEATURES, SPECIFICATIONS AND PERFORMANCE DATA SHOWN HEREON ARE THE PROPERTY OF THE AMPHENOL CORPORATION. NO RIGHTS OF REPRODUCTION ARE IMPLIED. ALL DIMENSIONS ARE SUBJECT TO NORMAL MANUFACTURING VARIATIONS.	
NEXT ASSY:		SIZE: B TYPE: C- SCALE: NONE	DWG NO: RTS0L-12CG REVISION: A1 SHEET 1 OF 1

TITLE: ECO-MATE, CORD GRIP, RTS, SIZE 12
 DWG NO: RTS0L-12CG
 REV: A1
 SH: 1
 OF: 1