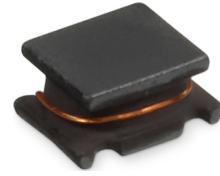
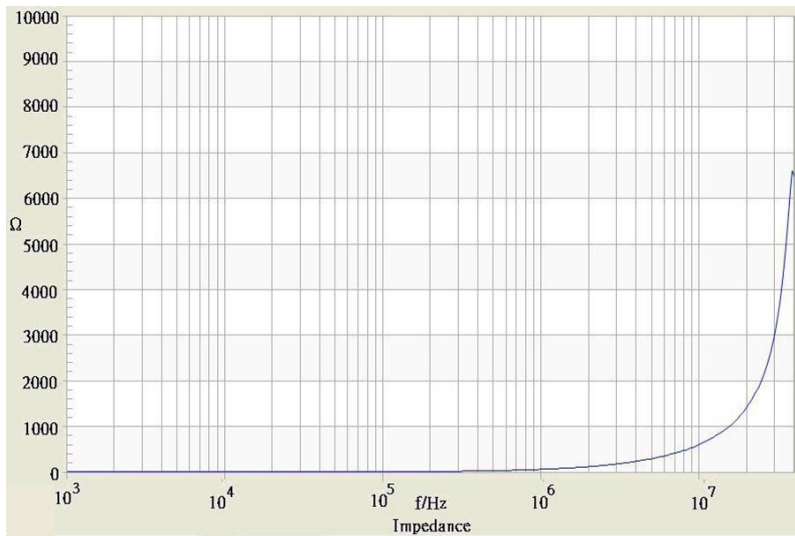


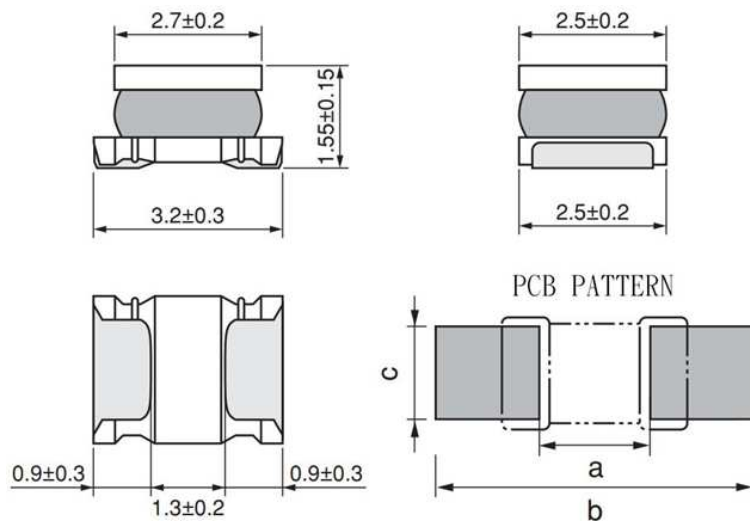
Order Code	TCK-120
Inductance	10 μ H \pm 20% (at 100 kHz / 1 V)
Impedance (DCR)	354 m Ω max.
Rated Current	0.9 A max.
Operating Temperature	-40°C to +125°C



Impedance Curve



Outline Dimensions



Dimensions [mm]

a	1.9
b	3.6
c	2.7