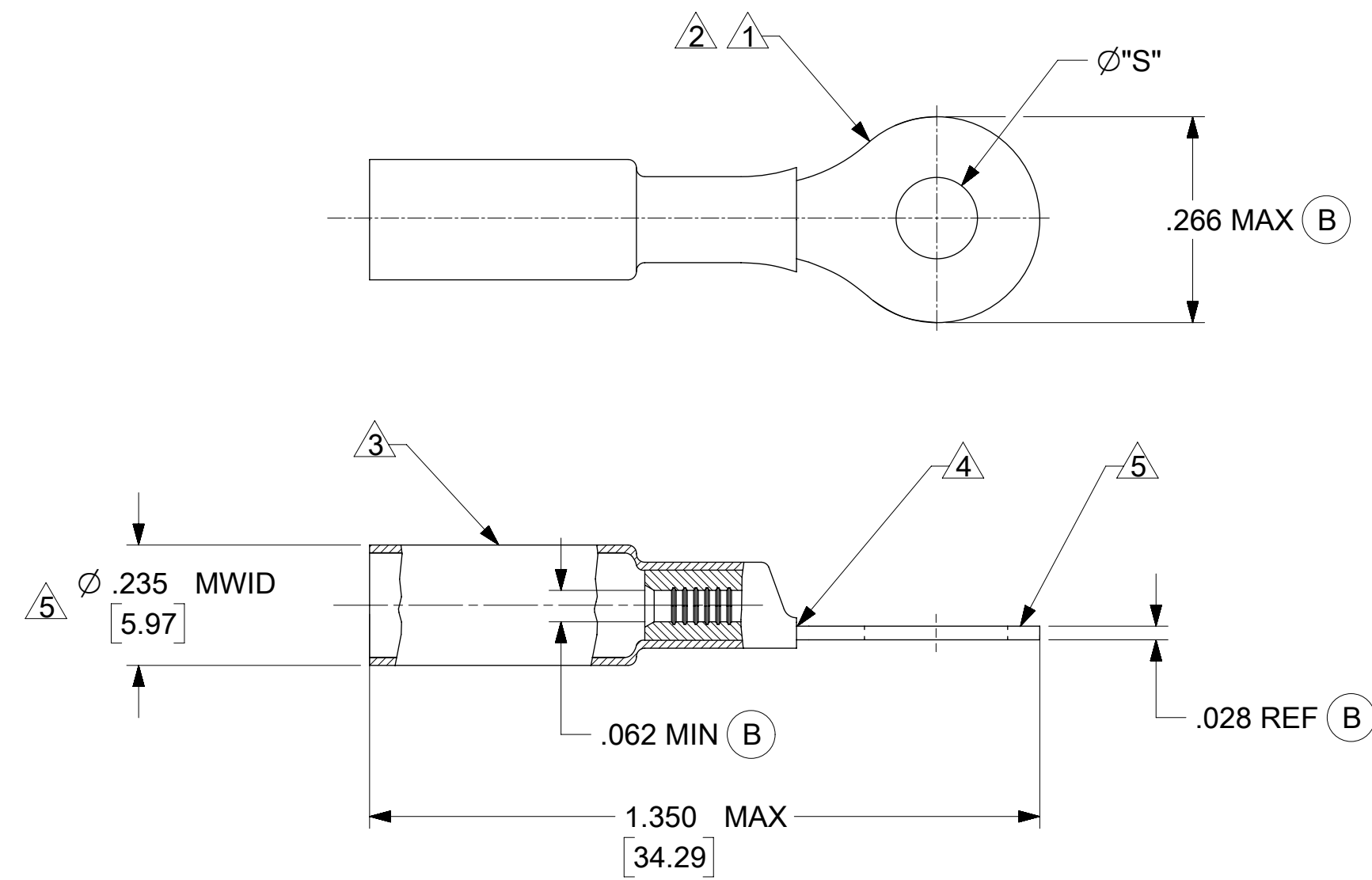


MATERIAL NO.	ENGINEERING NO.	STUD SIZE	"S"
190440283	SA-232-04	4	.119±.005 / [3.02±0.03]

(B)



- (B) NOTE:
- 1. TERMINAL MATERIAL: COPPER ALLOY
  - 2. FINISH: ELECTRO TIN PLATE.
  - 3. INSULATION MATERIAL: HEAT SHRINKABLE TUBING WITH HOTMELT ADHESIVE INNER LINER. COLOR: RED
  - 4. TUBING SHALL BE PINCHED CLOSED AS MUCH AS POSSIBLE AS SHOWN.
  - 5. MWID = MAXIMUM WIRE INSULATION DIAMETER
  - 6. PARTS ARE RoHS COMPLIANT.

THIS DRAWING CONTAINS INFORMATION THAT IS PROPRIETARY TO MOLEX ELECTRONIC TECHNOLOGIES, LLC AND SHOULD NOT BE USED WITHOUT WRITTEN PERMISSION										
SYMBOLS		DIMENSION UNITS		SCALE		CURRENT REV DESC: REVISED AND REMASTERING IN ECTR				
▽ = 0	INCH/MM	NTS		EC NO: 632188 DRWN: KSUTAR 2020/02/14 CHK'D: JMACNEIL 2020/02/20 APPR: JMACNEIL 2020/02/20 INITIAL REVISION: DRWN: ASAYDEH 2005/12/21 APPR: JPAWLICK 2005/12/21						
▽ = 0	GENERAL TOLERANCES (UNLESS SPECIFIED)									
▽ = 0	ANGULAR TOL ± °									
▽ = 0	4 PLACES ±									
▽ = 0	3 PLACES ±									
▽ = 0	2 PLACES ±			PRODUCT CUSTOMER DRAWING		DOCUMENT NUMBER				
▽ = 0	1 PLACE ±			SD-19164-050		DOC TYPE		DOC PART		REVISION
▽ = 0	0 PLACES ±			SEE TABLE		PSD		001		B
▽ = 0	DRAFT WHERE APPLICABLE MUST REMAIN WITHIN DIMENSIONS			THIRD ANGLE PROJECTION		DRAWING		SERIES		SHEET NUMBER
▽ = 0				C-SIZE		19164		GENERAL MARKET		1 OF 1

DOCUMENT STATUS	P1	RELEASE DATE	2020/02/20	14:52:14
-----------------	----	--------------	------------	----------