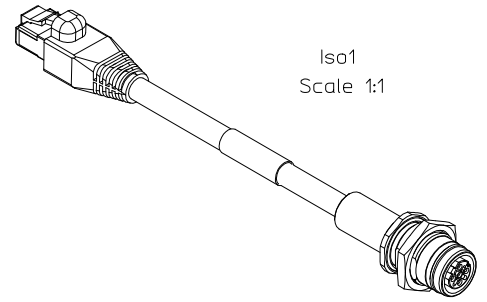
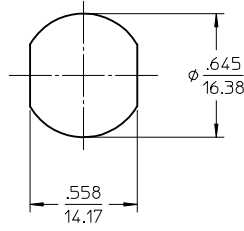
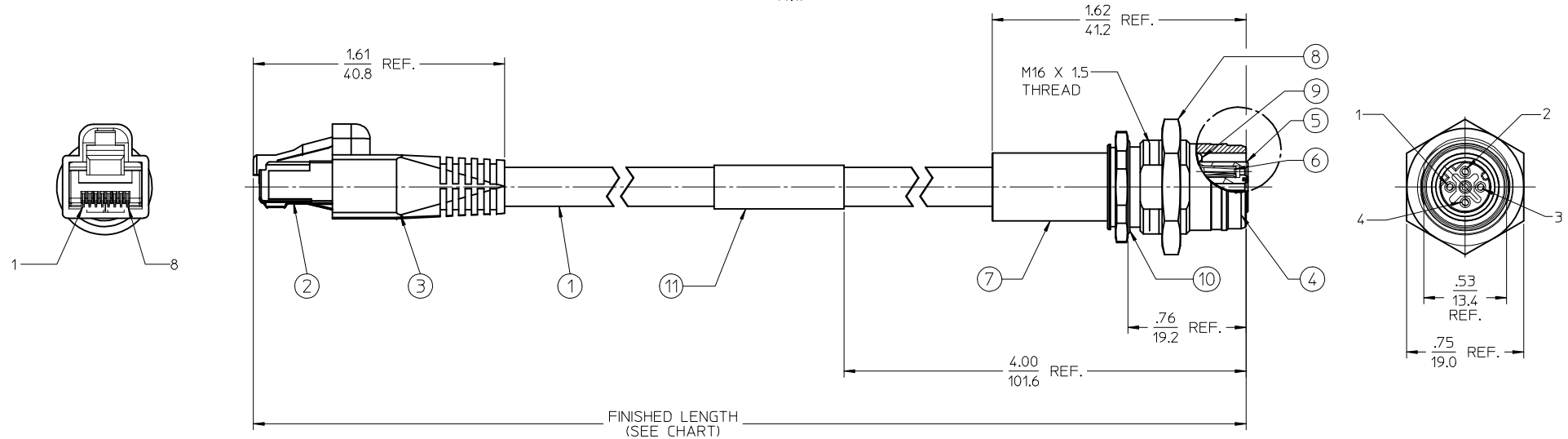


MATERIAL NO.	ENGINEERING NO.	FINISHED LENGTH
1300545003	ERWPAU7003M010	3' 3" +2.19/-0 (1M +55.6mm-0)
1201090003	ERWPAU7003M020	6' 7" +3.50/-0 (2M +88.9mm-0)

PANEL CUTOUT

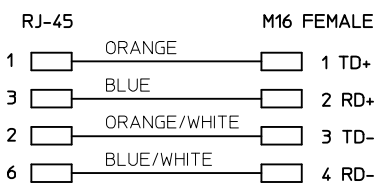


Iso1
Scale 1:1



NOTES:

1. MATERIAL: SEE TABLE
2. FINISHES: SEE TABLE
3. ELECTRICAL SPECIFICATIONS
VOLTAGE RATING: 150V AC/DC
CURRENT RATING: 1.5 AMPS
4. PROTECTION: IP67
5. ASSEMBLY IS RoHS COMPLIANT BY EXEMPTION



WIRE DIAGRAM

ITEM	QTY.	DESCRIPTION	MATERIAL	FINISH
11	1	WRAP LABEL	VINYL	BLACK/YELLOW
10	1	PANEL MOUNT O-RING	NITRIL	BLACK
9	1	MATING O-RING	VITON	RED
8	1	PANEL NUT	BRASS	NICKEL PLATED
7	1	CABLE SLEEVE	BRASS	NICKEL PLATED
6	4	CONTACT SOCKET	Cu ALLOY	GOLD PLATED
5	1	INSERT, FEMALE, 4P	PUR	BLACK
4	1	RECEPTACLE SHELL	BRASS	NICKEL PLATED
3	1	RJ-45 BOOT	POLYOLEFIN	BLACK
2	1	RJ-45 PLUG	POLYCARB/Cu ALLOY	CLEAR/GOLD PLATED
1	A/R	RJ-45 CABLE, 24/4 CAT 5E ETHERNET	PVC JACKET	TEAL

NEW SALES DOC EC NO: IPG2013-1402 DRAWN BY: DRWINRSTONE 2013/03/12 CHECKED BY: CHKDK JOZWIK 2013/03/15 APPR: JFMURPHY 2013/04/25	QUALITY SYMBOLS ▽=0 ▽=0	GENERAL TOLERANCES (UNLESS SPECIFIED) <table border="1"> <tr> <th></th> <th>mm</th> <th>INCH</th> </tr> <tr> <td>4 PLACES</td> <td>± .005</td> <td>± .0005</td> </tr> <tr> <td>3 PLACES</td> <td>± .005</td> <td>± .0005</td> </tr> <tr> <td>2 PLACES</td> <td>± .005</td> <td>± .0005</td> </tr> <tr> <td>1 PLACE</td> <td>± .005</td> <td>± .0005</td> </tr> <tr> <td>0 PLACE</td> <td>± .005</td> <td>± .0005</td> </tr> </table>		mm	INCH	4 PLACES	± .005	± .0005	3 PLACES	± .005	± .0005	2 PLACES	± .005	± .0005	1 PLACE	± .005	± .0005	0 PLACE	± .005	± .0005	DIMENSION STYLE IN/MM	SCALE 2:1	DESIGN UNITS INCH	THIRD ANGLE PROJECTION
				mm	INCH																			
4 PLACES	± .005	± .0005																						
3 PLACES	± .005	± .0005																						
2 PLACES	± .005	± .0005																						
1 PLACE	± .005	± .0005																						
0 PLACE	± .005	± .0005																						
DRAWN BY: RSTONE 2013/03/12 CHECKED BY: K JOZWIK 2013/03/15 APPROVED BY: JFMURPHY 2013/04/25	TITLE MIC ETHERNET CORDSET M16 FEMALE U-LOCK RECEPT TO RJ-45 PLUG. 24 AWG			molex		SHEET NO. 1 OF 1																		
DRAFT WHERE APPLICABLE MUST REMAIN WITHIN DIMENSIONS		MATERIAL NO. SEE CHART		DOCUMENT NO. SD-120109-013		THIS DRAWING CONTAINS INFORMATION THAT IS PROPRIETARY TO MOLEX INCORPORATED AND SHOULD NOT BE USED WITHOUT WRITTEN PERMISSION																		