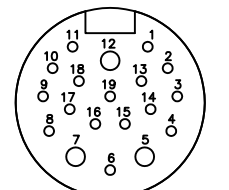
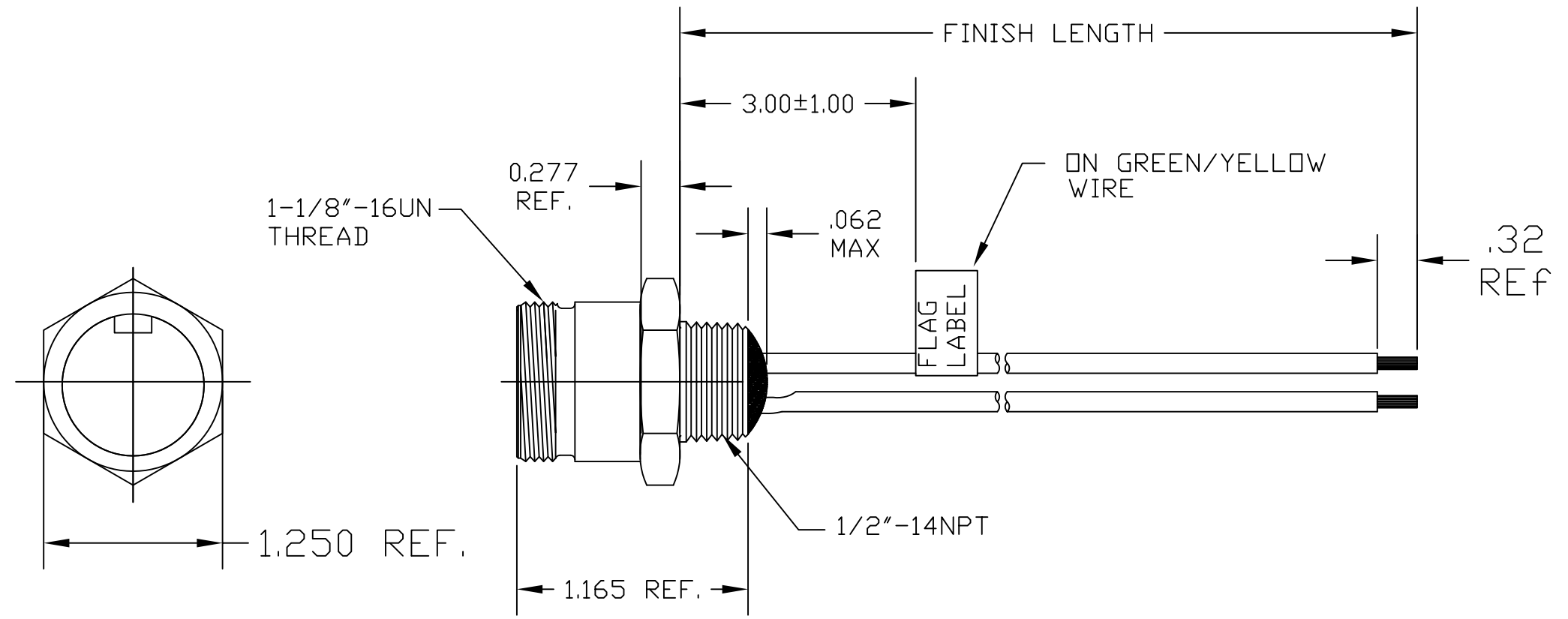


10 9 8 7 6 5 4 3 2 1

FACE VIEW-MALE INSERT



1 VIOLET  
 2 RED  
 3 GRAY  
 4 RED/BLUE  
 5 BLUE  
 6 GREEN  
 7 BROWN  
 8 WHT/GRN  
 9 WHT/YEL  
 10 WHT/GRY  
 11 BLACK  
 12 GRN/YEL  
 13 YEL/BROWN  
 14 BROWN/GRN  
 15 WHITE  
 16 YELLOW  
 17 PINK  
 18 GRY/BROWN  
 19 GRY/PINK



MATERIALS:

SHELL: STAINLESS STEEL  
 CONTACTS: GOLD/NICKEL OVER COPPER ALLOY  
 INSERTS: YELLOW PVC

WIRE: 3-#18 AWG AND 16-#22 AWG  
 GAUGE: 3-#18 AWG AND 16-#22 AWG  
 CONDUCTOR INSULATION: PVC (SEE PINOUT FOR COLORS)

ELECTRICAL:

CURRENT RATING: 3 AMP - 18 AWG  
 2 AMP - 22 AWG

VOLTAGE RATING: 300V

MECHANICAL:

INGRESS PROTECTION: IP 67

CUSTOMER PRODUCTION APPROVAL  
 APPROVED BY: \_\_\_\_\_  
 DATE: \_\_\_\_\_  
 MUST BE SIGNED AND RETURNED BEFORE  
 PRODUCTION WILL BEGIN.

RESTRICTED SALES DRAWING

PART NUMBER	ENGINEERING NO.	FINISH LENGTH
TBD	3R3006E80M0101	3.28F. +2.19IN -0IN [1M +5.56CM -0CM]

EC NO: WEU2010-0167 DRWN: TWOLDEGE 11/5/09 CHKD: --- APPR: JFMURPHY 2010/01/04	QUALITY SYMBOLS ▽=0 ▽=0	GENERAL TOLERANCES (UNLESS SPECIFIED)		DIMENSION STYLE		SCALE	DESIGN UNITS	THIRD ANGLE PROJECTION
		4 PLACES ±--- mm ±--- INCH	---	---	INCH			
		3 PLACES ±--- mm ±--- INCH	DRAWN BY: TWOLDEGE DATE: 2009/11/05	TITLE: MINICHAGE RECEPTACLE 19-POLE MALE 1/2" -14NPT 18AWG & 22AWG PVC LEADS				
		2 PLACES ±--- mm ±--- INCH	CHECKED BY: --- DATE: ---	MOLEX INCORPORATED				
1 PLACE ±--- mm ±--- INCH	APPROVED BY: JFMURPHY DATE: 2010/01/04	DOCUMENT NO. SD-130015-010						
ANGULAR ±---°		MATERIAL NO. SEE CHART		SHEET NO. 1 OF 1				
DRAFT WHERE APPLICABLE MUST REMAIN WITHIN DIMENSIONS		SIZE B		THIS DRAWING CONTAINS INFORMATION THAT IS PROPRIETARY TO MOLEX INCORPORATED AND SHOULD NOT BE USED WITHOUT WRITTEN PERMISSION				

10 9 8 7 6 5 4 3 2 1

F  
E  
D  
C  
B  
A

F  
E  
D  
C  
B  
A