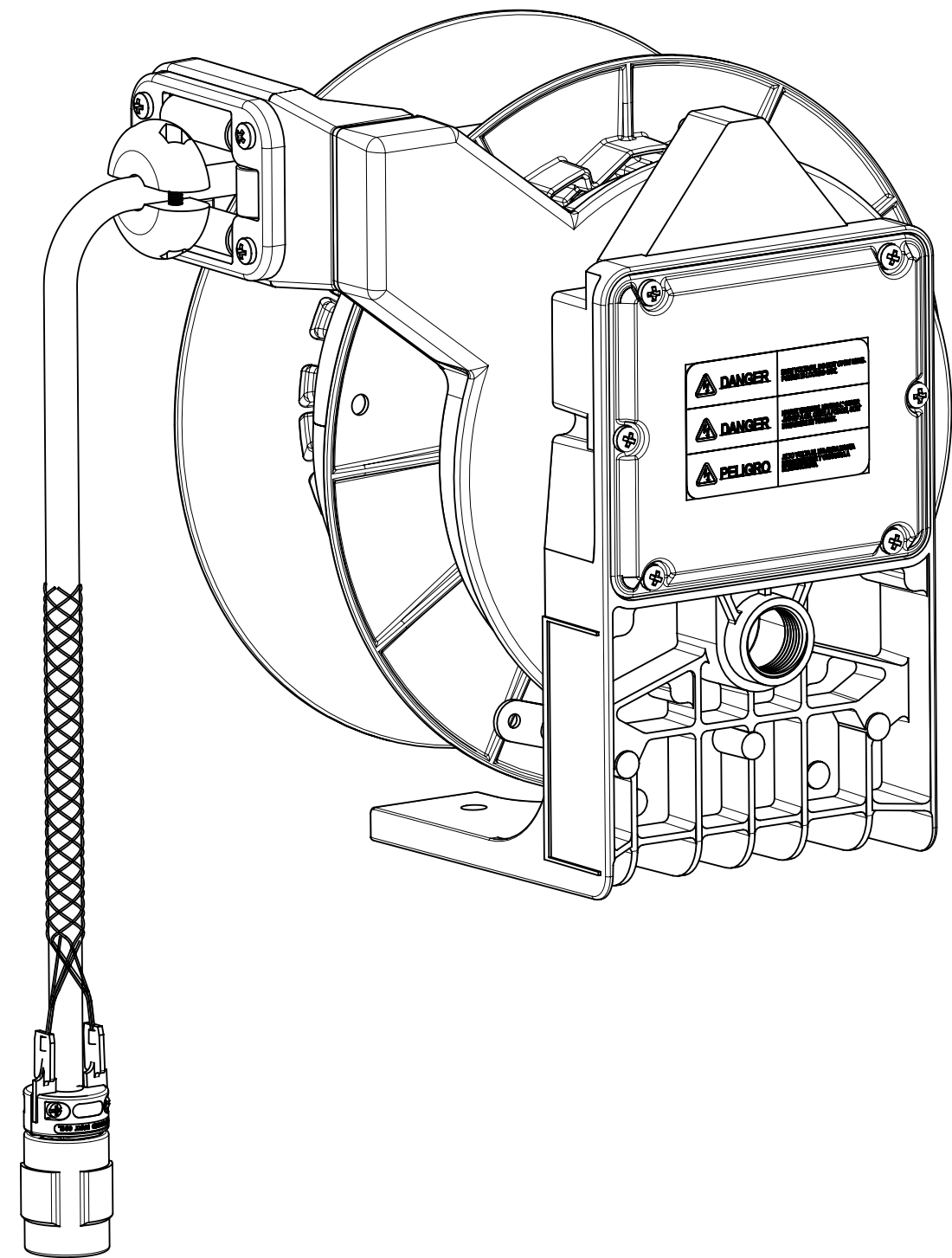
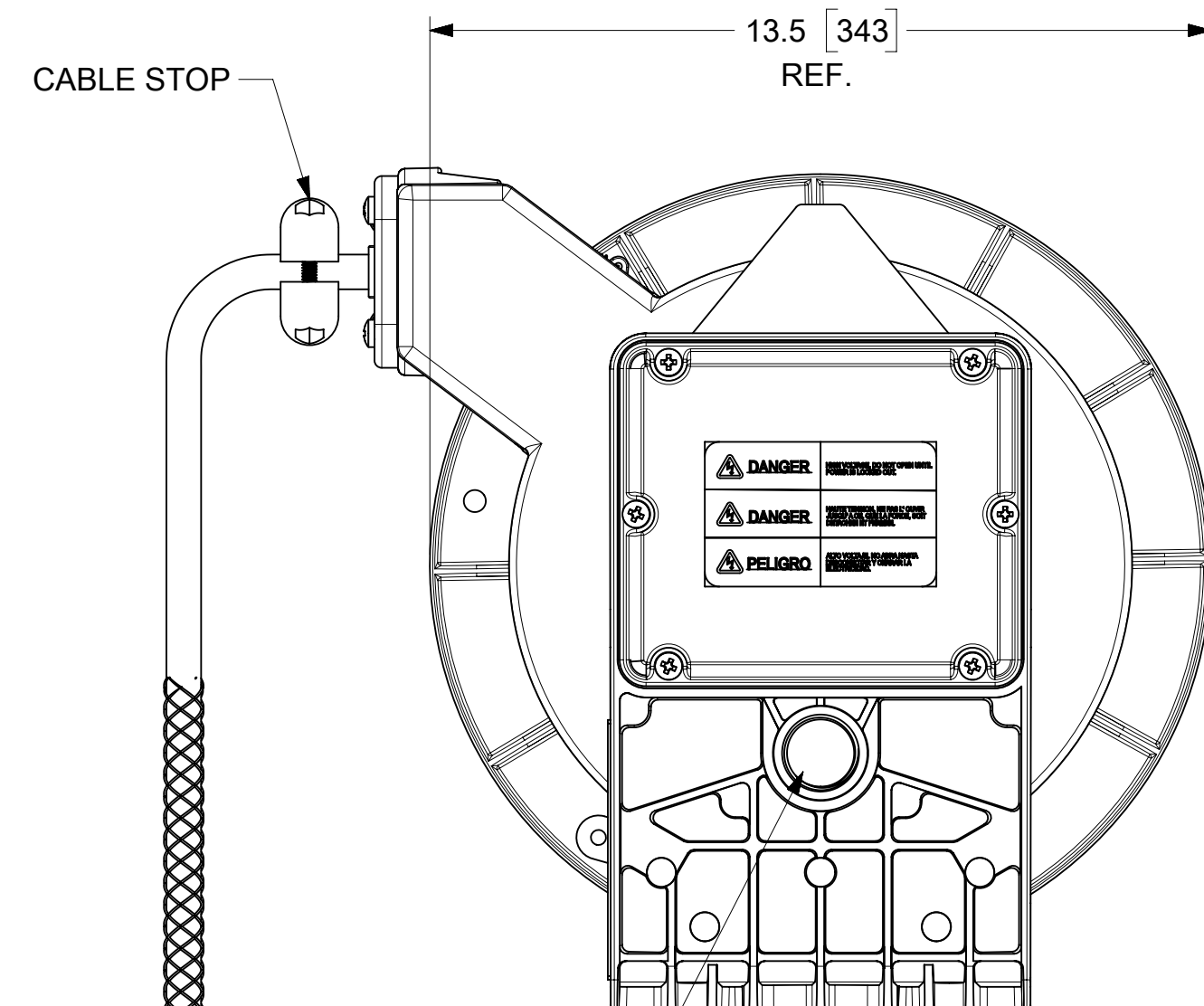
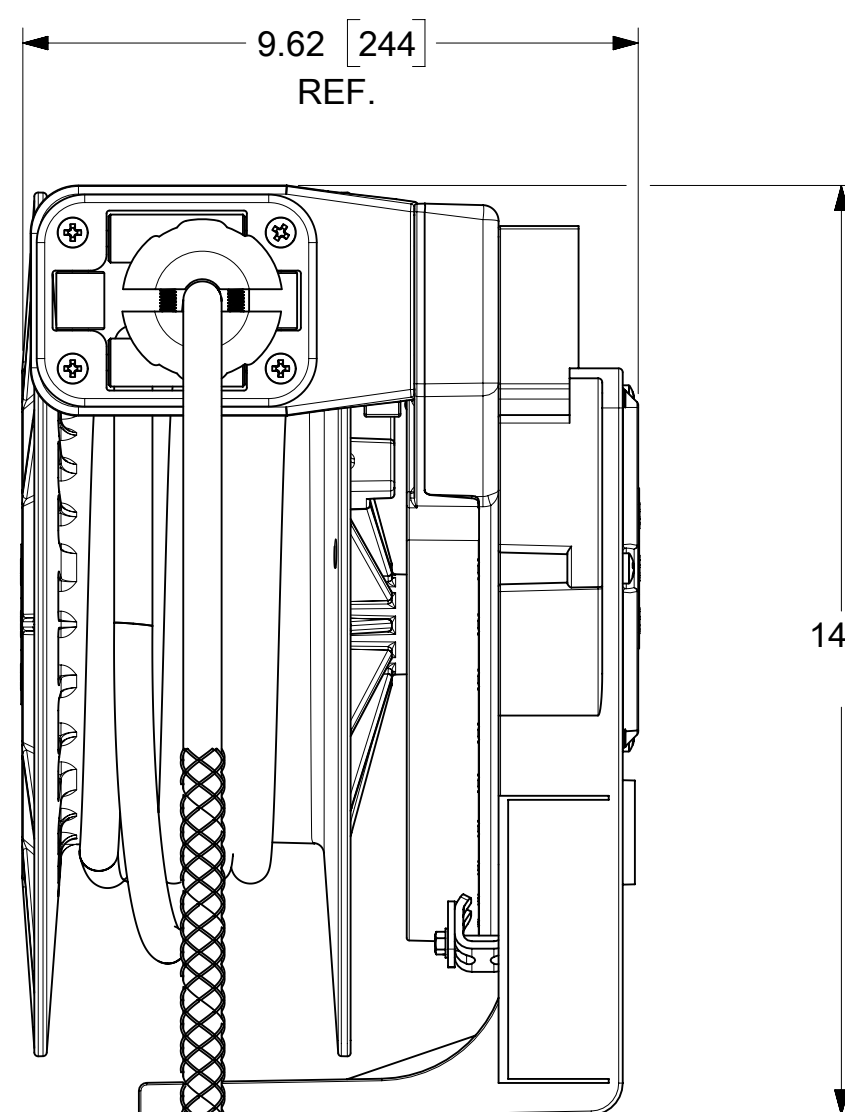
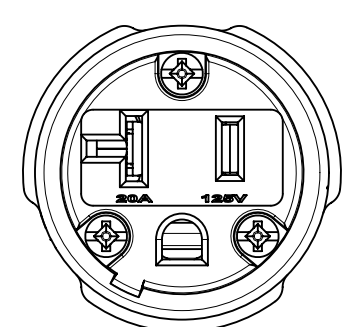


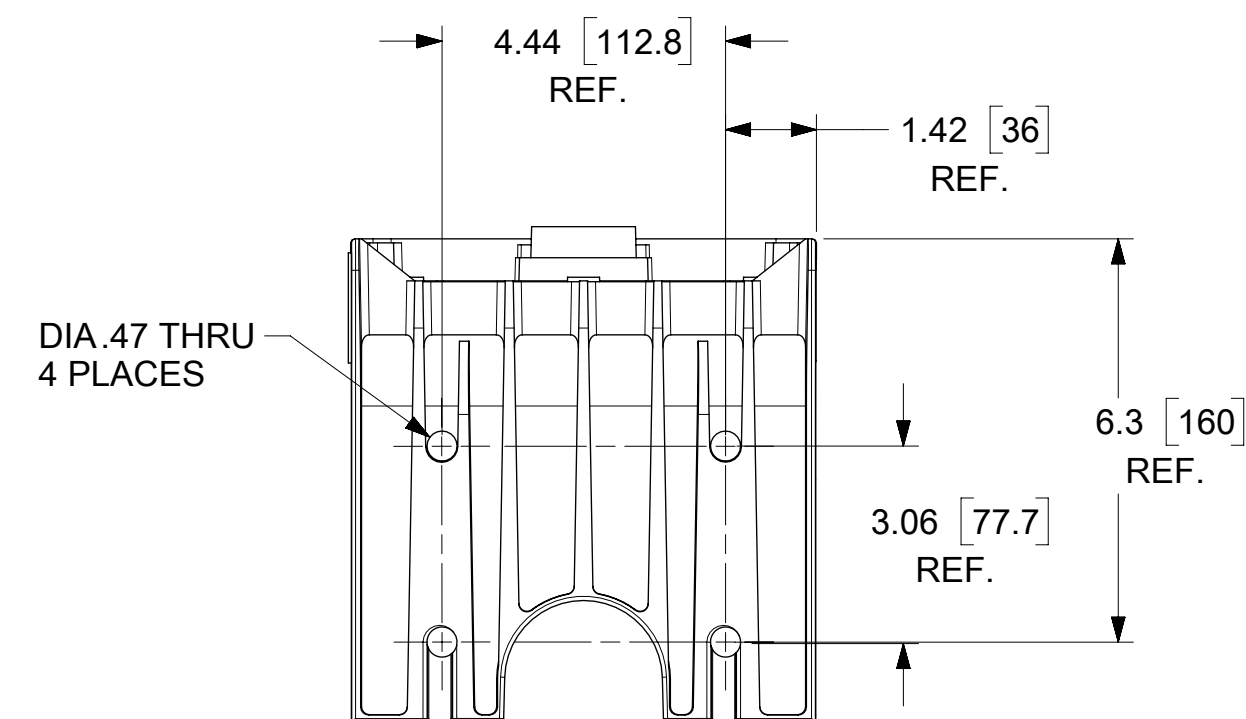
ORDER NO	130083-0781
WOODHEAD ENG. NO	92433-1533
WIRE GAUGE	12
CONDUCTORS	3
AMPERAGE	18A
WORKING CORD	50 FT. YELLOW
CORD TYPE	SOOW
CONSTRUCTION	HEAVY WALL CAST ALUMINUM
PAINT	YELLOW POWDER COAT
REEL ENCLOSURE RATING	NEMA 4 INDOOR / OUTDOOR
RETRACTION WEIGHT	4.0 LB [1.8 KG]



NEMA 5-20
ASSEMBLED CONNECTOR
COLOR YELLOW



FACE VIEW OF
THE CONNECTOR



BOTTOM VIEW

- NOTES:**
- CABLE GUIDE IS ADJUSTABLE EVERY 5 DEGREES OVER 270 DEGREE ARC.
 - RATCHET LOCK IS EASY TO DISENGAGE FOR CONSTANT TENSION.
 - REEL CANNOT BE "LOCKED OUT" AT FULL EXTENSION.
 - CABLE STOP IS ADDED.

FUNCTIONAL SYMBOLS	THIS DRAWING CONTAINS INFORMATION THAT IS PROPRIETARY TO MOLEX ELECTRONIC TECHNOLOGIES, LLC AND SHOULD NOT BE USED WITHOUT WRITTEN PERMISSION				CURRENT REV DESC: RELEASE CUSTOMER DRAWING							
	DIMENSION UNITS		SCALE									
$F_A = 0$	INCH/MM		NTS		GENERAL TOLERANCES (UNLESS SPECIFIED)				EC NO: 674826 DRWN: VHANDI 2020/07/27 CHK'D: DSOPPIN 2022/05/24 APPR: HKNEELAND 2022/06/01			
$F_C = 0$												
$F_D = 0$					DIVISIONAL SYMBOLS 4 PLACES ± ± 3 PLACES ± ± 0.005 2 PLACES ± 0.13 ± 0.01 1 PLACE ± 0.25 ± 0.02 0 PLACES ± ±				PRODUCT CUSTOMER DRAWING DOCUMENT NUMBER: 1300830781 DOC TYPE: PSD DOC PART: 000 REVISION: A			
				INITIAL REVISION: DRWN: VHANDI 2020/07/27 APPR: HKNEELAND 2022/06/01								
ANGULAR TOL ± 0.5°				THIRD ANGLE PROJECTION				DRAWING C-SIZE				
DRAFT WHERE APPLICABLE MUST REMAIN WITHIN DIMENSIONS				SERIES 130083				MATERIAL NUMBER SEE TABLE				
				CUSTOMER GENERAL MARKET				SHEET NUMBER 1 OF 1				