

M.943 Bridge handles

Technopolymer



MATERIAL

Glass-fibre reinforced polyamide based (PA) technopolymer, black colour, matte finish.

STANDARD EXECUTIONS

- **M.943-B**: brass bosses, threaded blind holes.
- **M.943-AF**: blind holes for self-tapping screws Ø 4.8 (UNI ISO 7049). Maximum torque recommended 5 Nm.

FEATURES AND APPLICATIONS

Suitable for applications on a 19" rack and instruments in general. In the column HE of the table below the height units of the front panel are contained: 1 HE = 44.45 mm (1 6/8") to enable you to choose the correct handles.

TECHNICAL DATA

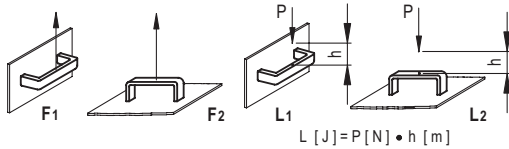
Tensile stress and impact strength: F1, F2, L1 and L2 values reported in the table are the result of breaking tests carried out with the appropriate dynamometric equipment under the test conditions shown in the figure with ambient temperature.

SPECIAL EXECUTIONS ON REQUEST

- RAL 7031 grey colour handle, matte finish.
- Chrome-plated handle, matte finish.

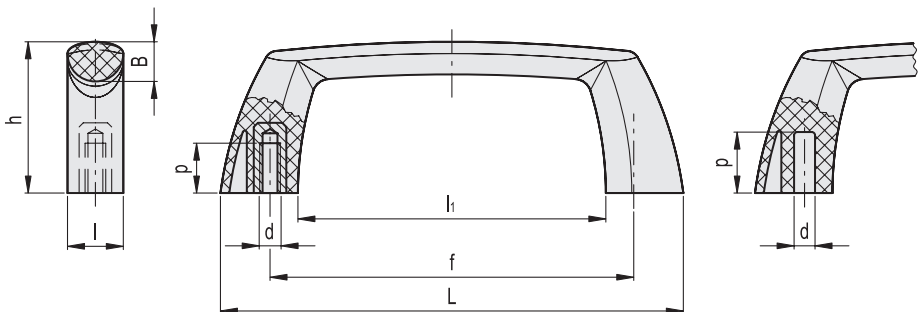


ELESA Original design



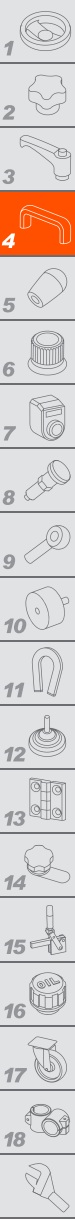
M.943-B

M.943-AF



Conversion Table 1 mm = 0.039 inch			
L		d	
mm	inch	mm	inch
112	4.41	4.5	0.18
144	5.67		

Code	Description	L	f	d	h	B	l	li	p	HE	F1 [N]	F2 [N]	L1 [J]	L2 [J]	⚖️
137901	M.943-112-B-M5	112	88±0.5	M5	36.5	9	13.5	74.5	10	3	2000	2200	11	9	26
137921	M.943-144-B-M5	144	120±0.5	M5	42	11	15	105	10	4	2000	2200	11	9	34
137906	M.943-112-AF-4.8	112	88±0.5	4.5	36.5	9	13.5	74.5	14	3	2000	2200	11	9	21
137926	M.943-144-AF-4.8	144	120±0.5	4.5	42	11	15	105	14	4	2000	2200	11	9	29



Lift & Pull handles

