

## Distributor - SAC-ASI-J-Y-B-M12FS - 1405621


Please be informed that the data shown in this PDF Document is generated from our Online Catalog. Please find the complete data in the user's documentation. Our General Terms of Use for Downloads are valid (<http://phoenixcontact.com/download>)



AS-Interface distributor with a high degree of protection, for a branch from two flat-ribbon conductors to one straight, A-coded, 4-pos. M12 socket



### Key Commercial Data

Packing unit	1 pc
GTIN	 4 046356 754941
GTIN	4046356754941

### Technical data

#### Ambient conditions

Degree of protection	IP65
	IP67
Ambient temperature (operation)	-25 °C ... 75 °C
Ambient temperature (storage/transport)	-25 °C ... 85 °C

#### General data

Rated current at 40°C	4 A
Rated voltage	≤ 32 V DC
Number of positions	4
Standards/regulations	M12 connector IEC 61076-2-101
Overvoltage category	III
Degree of pollution	3
Connection method	AS-i penetration technique

#### Characteristics head 1

Head type	Load center AS-i Screw locking
No. of positions (pin connector pattern)	4
Material (component)	CuSn (Contact)
	Ni/Au (Contact surface)

## Distributor - SAC-ASI-J-Y-B-M12FS - 1405621

### Technical data

#### Characteristics head 1

	PBT (Contact carriers)
	PBT (Housing)
	Stainless steel (Screw connection)
Torque	1.65 Nm (Locking screw)

#### Characteristics head 2

Head type	Socket straight M12
No. of positions (pin connector pattern)	4 (5)
Color	black
Material (component)	CuSn (Contact)
	Ni/Au (Contact surface)
	TPE-U (Contact carriers)
	Zinc die-cast, nickel-plated (Screw connection)
Insertion/withdrawal cycles	≥ 100
Torque	0.4 Nm

#### Standards and Regulations

Standard designation	M12 connector
Standards/regulations	IEC 61076-2-101

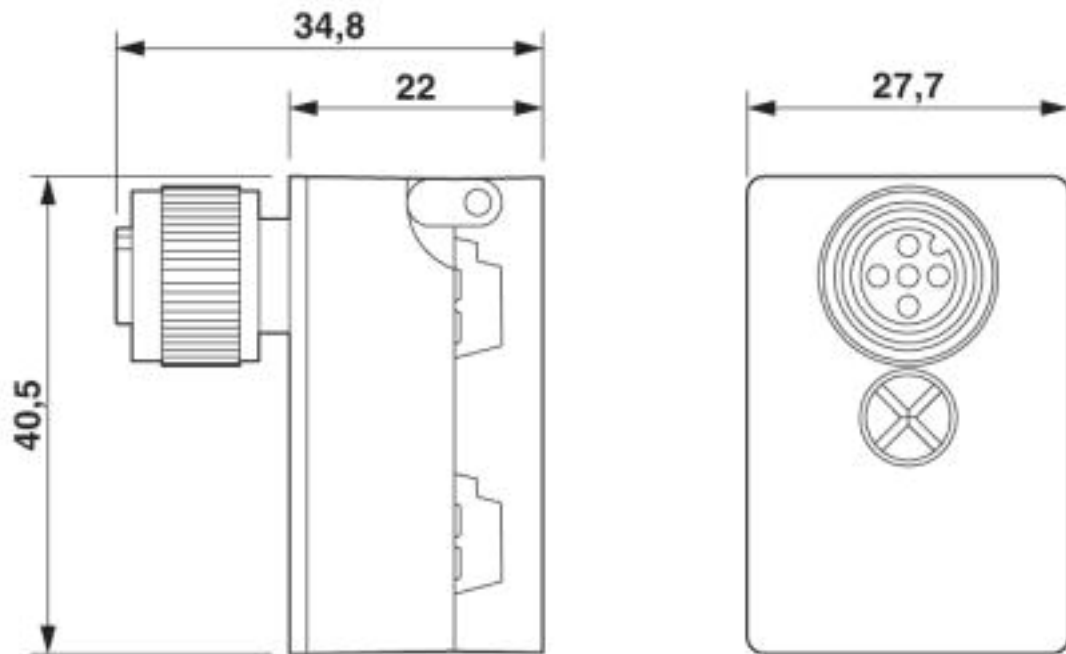
#### Environmental Product Compliance

China RoHS	Environmentally friendly use period: unlimited = EFUP-e
	No hazardous substances above threshold values

### Drawings

## Distributor - SAC-ASI-J-Y-B-M12FS - 1405621

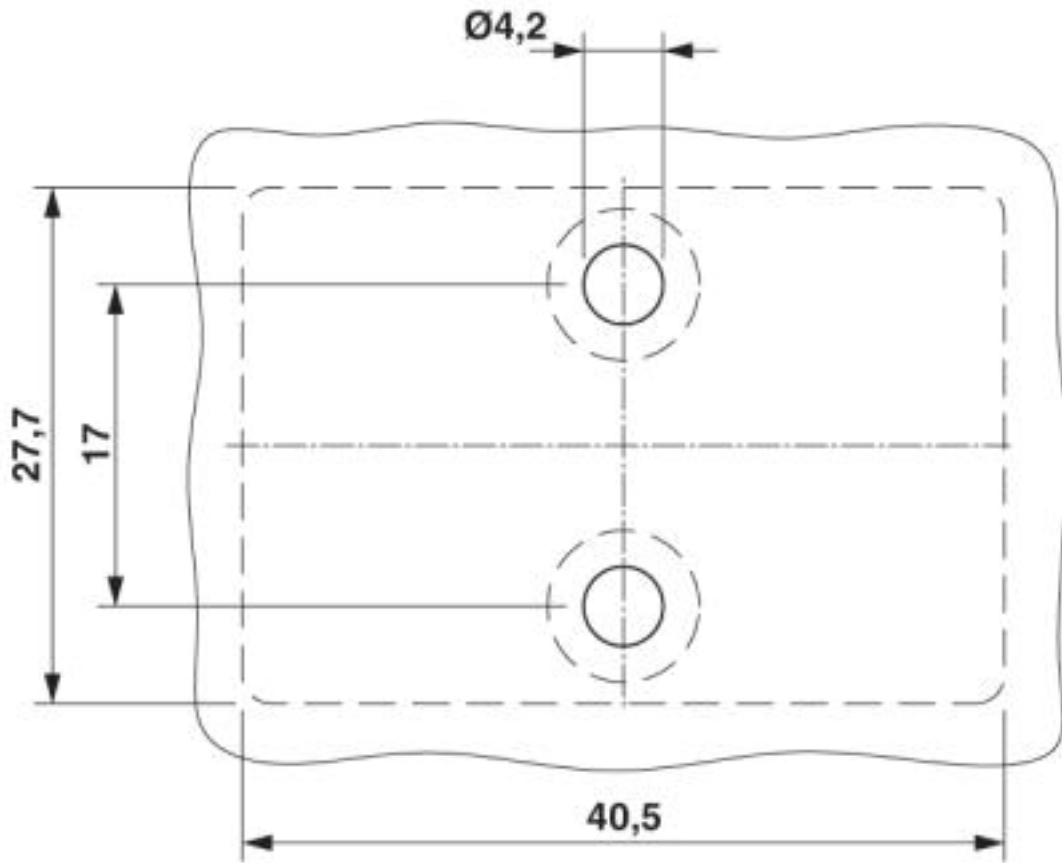
Dimensional drawing



Distributor, AS-Interface

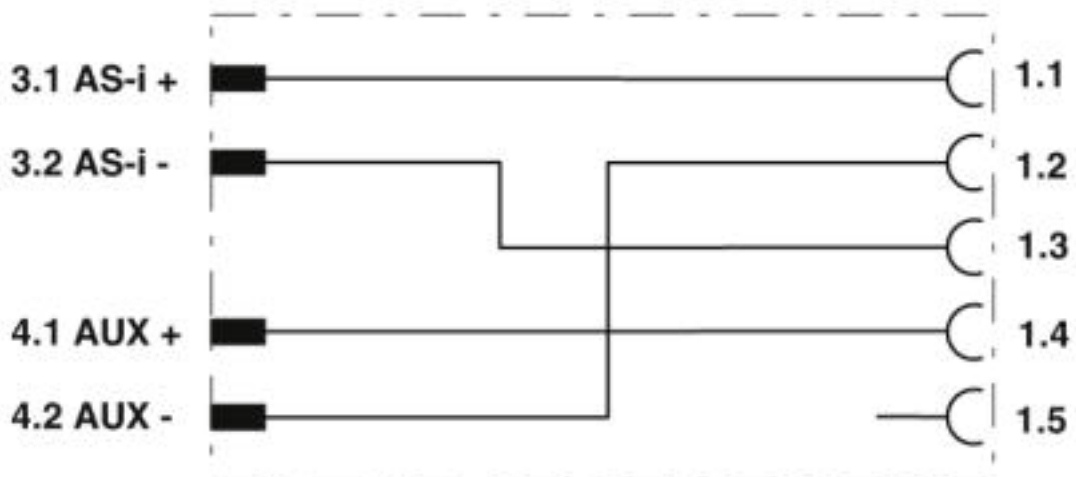
# Distributor - SAC-ASI-J-Y-B-M12FS - 1405621

Dimensional drawing



Distance and position of the mounting holes

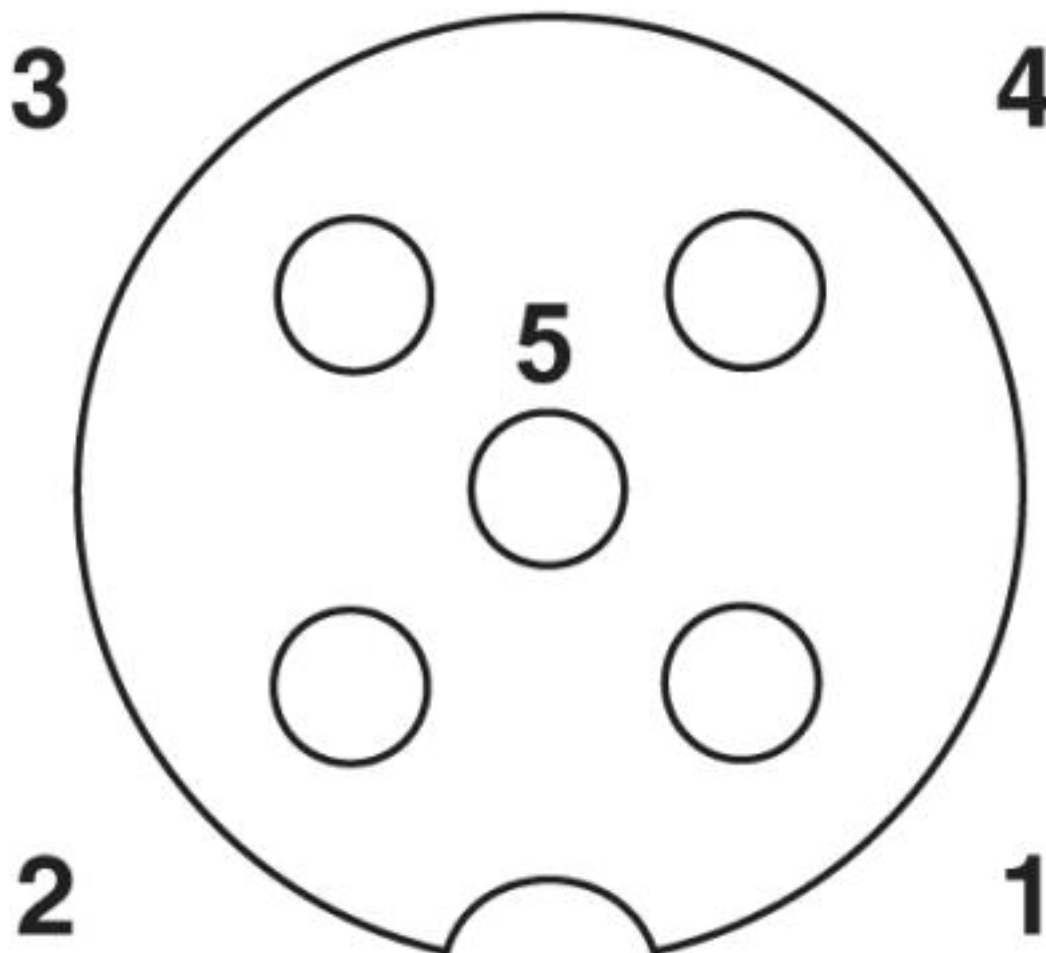
Circuit diagram



Contact assignment of the AS-Interface distributor

## Distributor - SAC-ASI-J-Y-B-M12FS - 1405621

Schematic diagram



Pin assignment M12, PIN 1: AS-i +, PIN 2: AUX -, PIN 3: AS-i -, PIN 4: AUX +, PIN 5: Not used

Phoenix Contact 2019 © - all rights reserved  
<http://www.phoenixcontact.com>

PHOENIX CONTACT GmbH & Co. KG  
Flachsmarktstr. 8  
32825 Blomberg  
Germany  
Tel. +49 5235 300  
Fax +49 5235 3 41200  
<http://www.phoenixcontact.com>