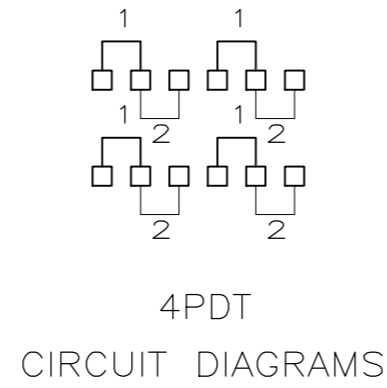
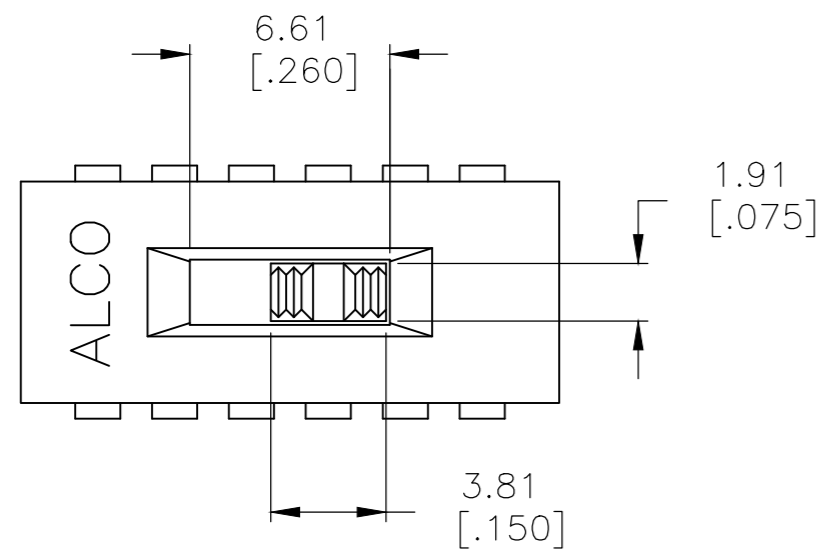


THIS DRAWING IS UNPUBLISHED. RELEASED FOR PUBLICATION
 © COPYRIGHT - TE Connectivity ALL RIGHTS RESERVED.

REVISIONS					
P	LTR	DESCRIPTION	DATE	DWN	APVD
A		REVISED PER ECO-05-013279	07DEC07	HMR	SSM
B		REVISED PER ECO-16-018096	28JUN2017	RK	PO



SPECIFICATIONS:

4PDT
MAKE-BEFORE-BREAK

MATERIALS:

- BASE/COVER - PCT UL94V-0, BLACK
- ACTUATOR - NYLON PA46 UL94V-0, NATURAL
- MOVING CONTACT - COPPER ALLOY, GOLD OVER NICKEL
- FIXED CONTACT - COPPER ALLOY, GOLD OVER NICKEL
- TERMINAL - COPPER ALLOY, TIN/LEAD OVER NICKEL OR TIN OVER NICKEL

ELECTRICAL:

- CONTACT RATING, 300 MILLIAMPS @ 115V AC PER EIA-448, METHOD 6
- CONTACT RESISTANCE, 40 MILLIOHMS MAX @ 100MA 2-4V DC, PER EIA-364-23B, EACH POSITION
- INSULATION RESISTANCE, 1000 MEGOHM MIN @ 500V DC, PER EIA-364-21C EACH POSITION
- DIELECTRIC STRENGTH, 1,000 V RMS @ SEA LEVEL, PER EIA-364-20B, CONDITION 1, EACH POSITION
- LIFE EXPECTANCY, ELECTRICAL, 15,000 CYCLES @ FULL LOAD

MECHANICAL:

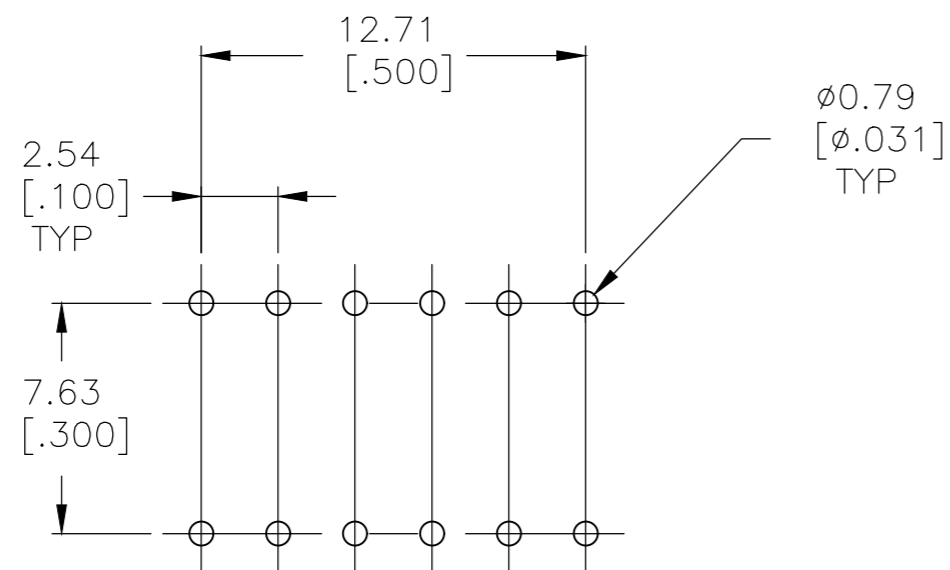
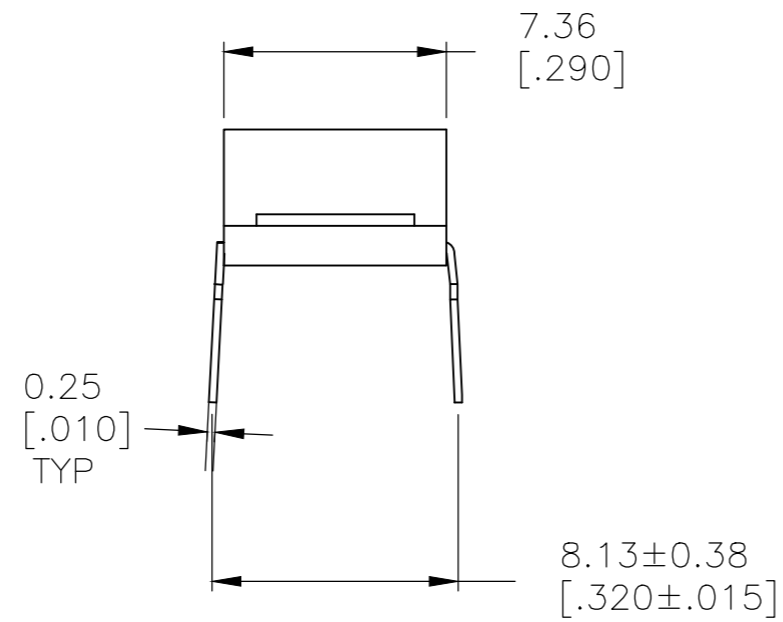
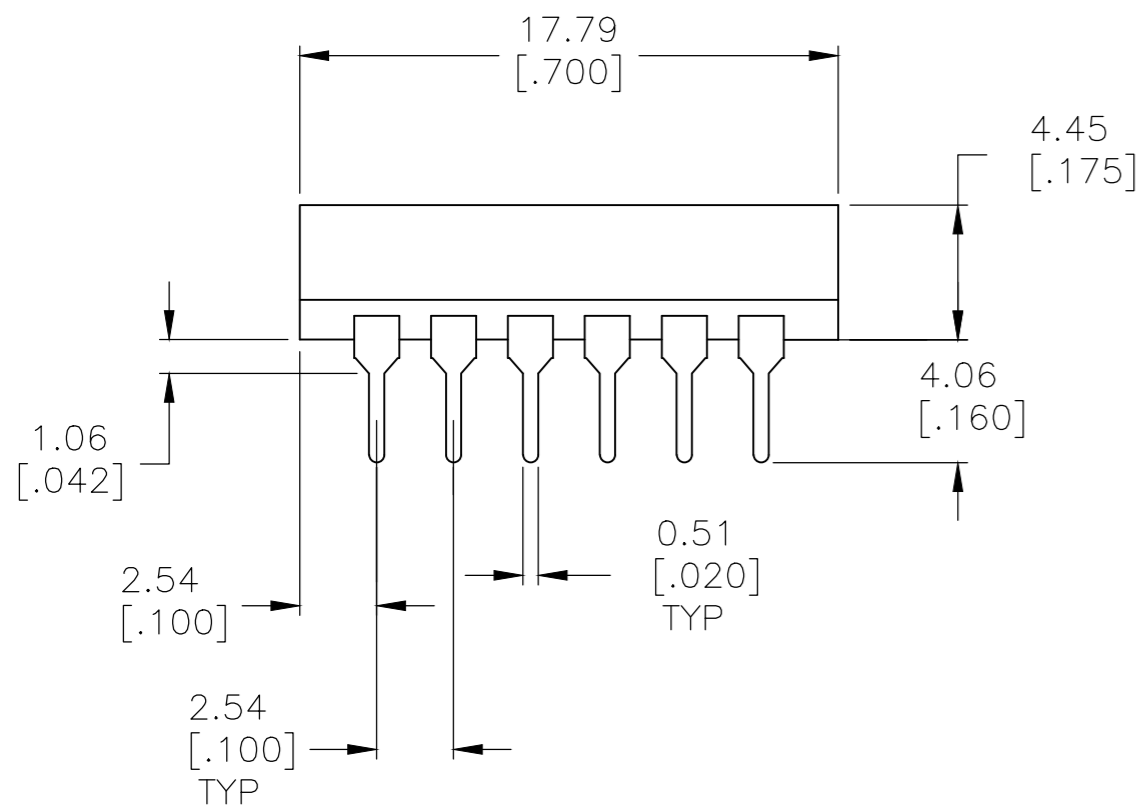
- ACTUATION FORCE, 800 GRAMS MAX
- ACTUATION TRAVEL, 2.54±0.25 [.100±.010]
- LIFE EXPECTANCY, 15,000 CYCLES

ENVIRONMENTAL:

- OPERATING TEMPERATURE, -40 TO +80 DEGREES C, PER EIA 448, METHOD 10
- STORAGE TEMPERATURE, -40 TO +80 DEGREES C
- HUMIDITY AND TEMPERATURE CYCLING PER EIA-364-31B, METHOD III
- SOLDERABILITY, PER EIA-364-52, CLASS 2, CATEGORY 1, 95% MINIMUM COVERAGE
- RESISTANCE TO SOLDER HEAT, PER 109-202, CONDITION B

NOTES:

- PARTS TO BE PACKAGED IN 22 INCH TUBES
- ALL MATERIALS AND FINISHES SHALL COMPLY WITH EU DIRECTIVE 2002/95/EC OF 27JAN2003 (ROHS)
- PART HAS CLOSED ENDS AND COMES STANDARD WITH TAPE SEAL



	2	ASF7121304	1825469-1
OBSOLETE		ASF71213	1437582-2
NOTES	T&B P/N	TE P/N	

THIS DRAWING IS A CONTROLLED DOCUMENT.		DWN RAGHAVENDRA 07DEC2007	TE Connectivity	
DIMENSIONS: mm [INCHES]		CHK M.S.SARVER 07DEC2007	NAME AUTO SLIDE SWITCH, ASF42 SPECIAL (ASE71213)	
TOLERANCES UNLESS OTHERWISE SPECIFIED:		APVD M.S.SARVER 07DEC2007	SIZE A2	
0 PLC ± -		PRODUCT SPEC	CAGE CODE 00779	DRAWING NO 1437582-2
1 PLC ± -		APPLICATION SPEC	SCALE 4:1	SHEET 1 of 1
2 PLC ± 0.25 [.010]		WEIGHT	REV B	
3 PLC ± -		CUSTOMER DRAWING		
4 PLC ± -				
ANGLES ± 1°				
FINISH				
MATERIAL SEE SPECIFICATIONS				