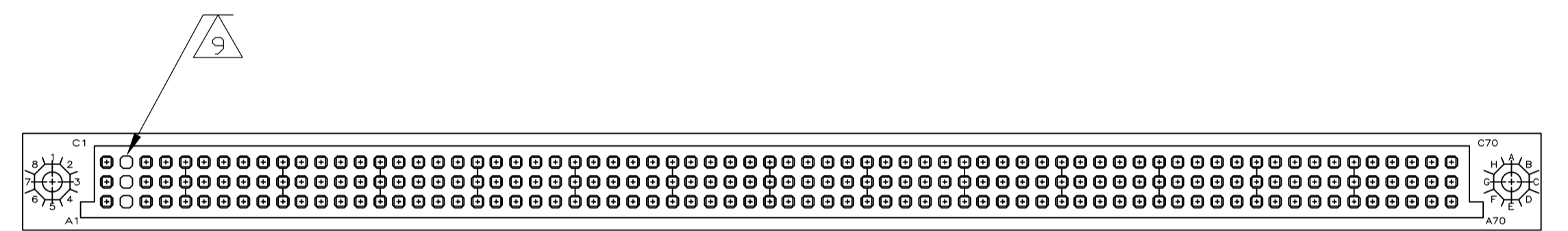
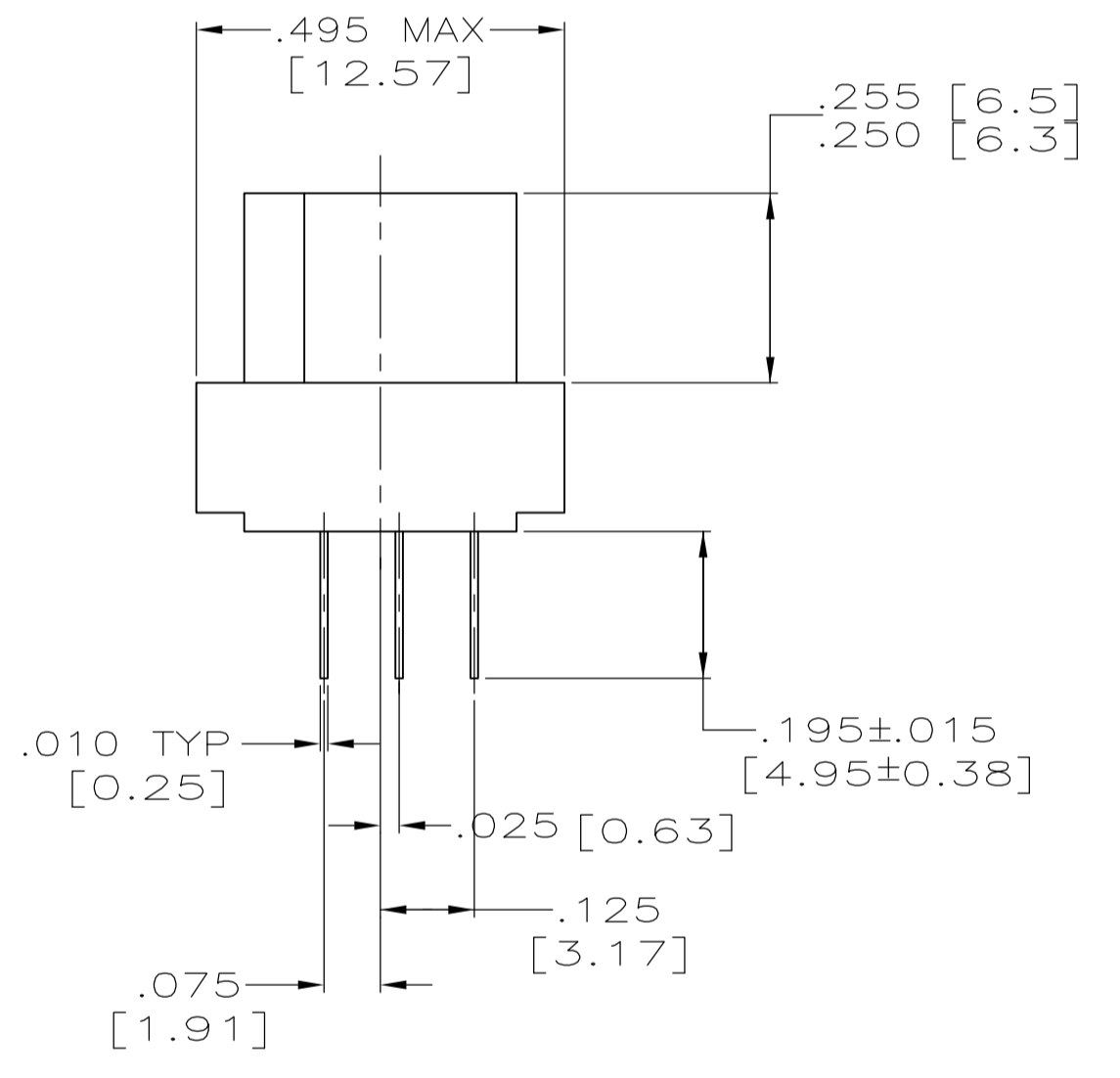
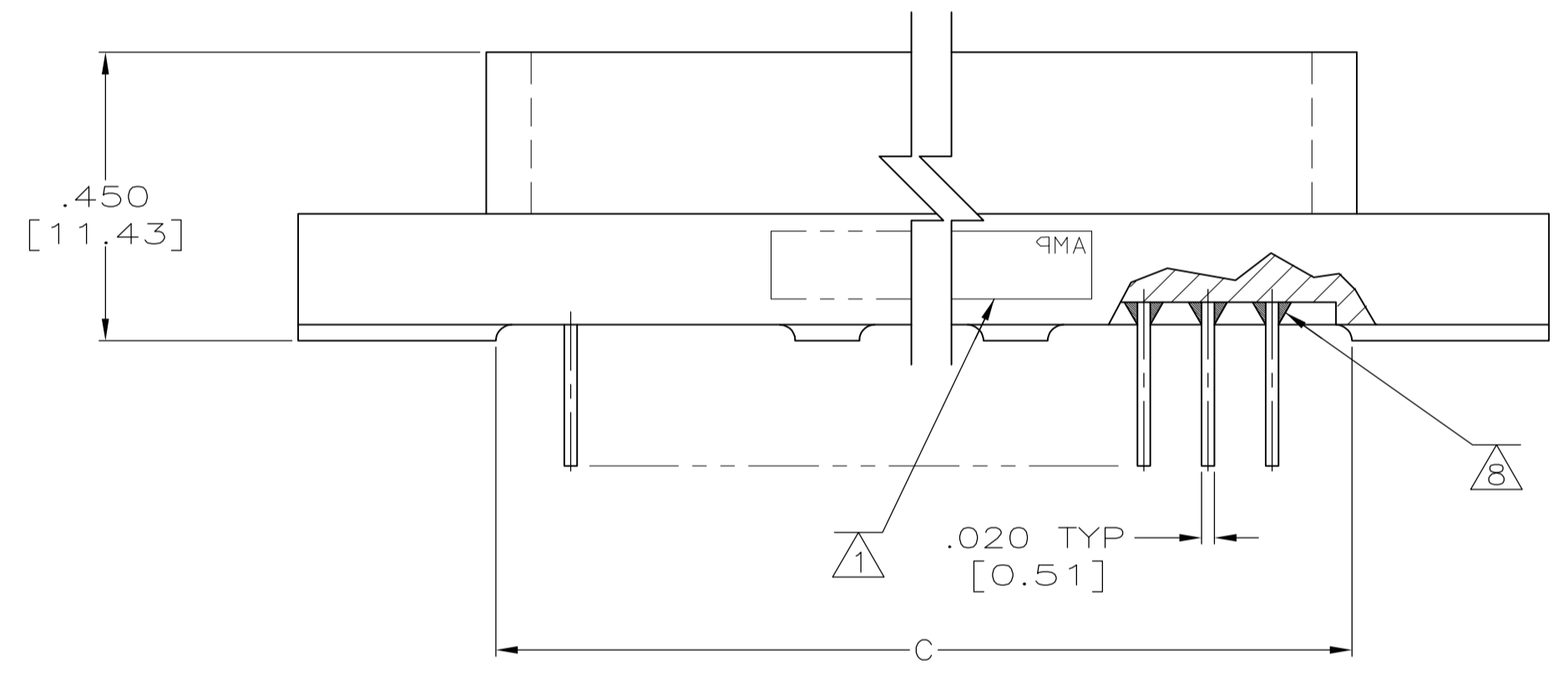
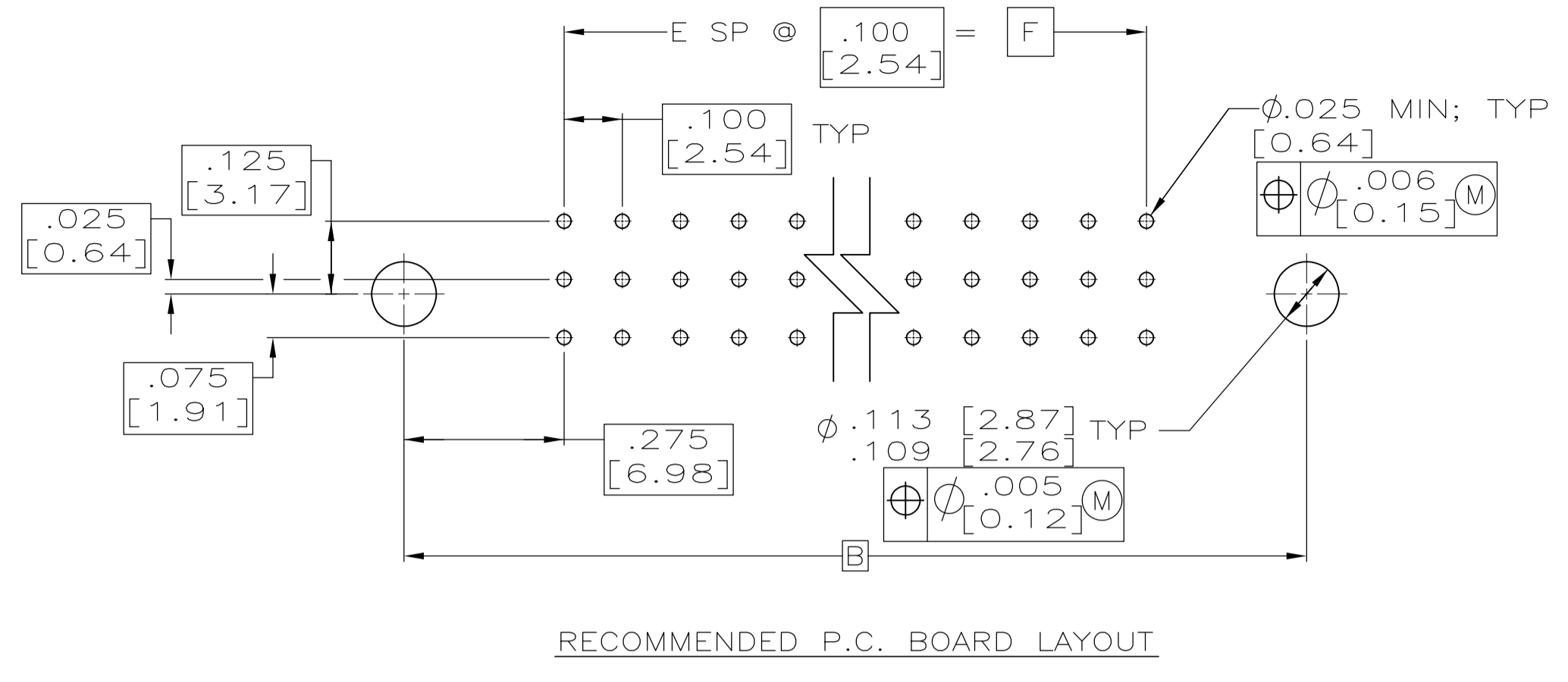
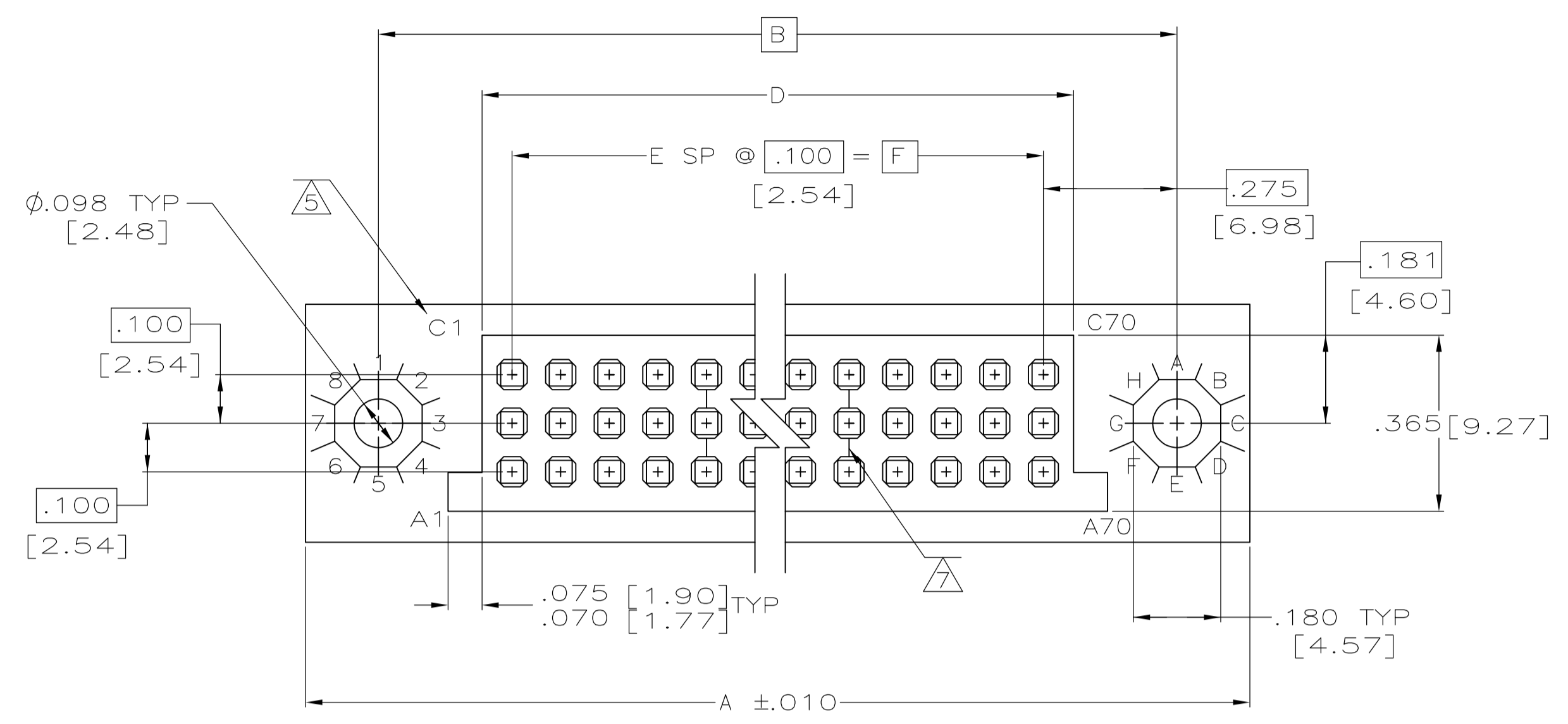
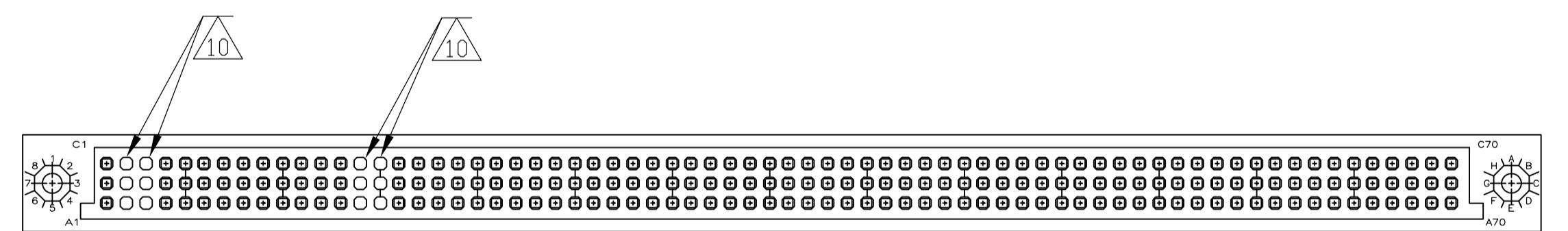


LOC		DIST		REVISIONS			
P	LTR	DESCRIPTION	DATE	DMN	APVD		
E	REV	PER ECO	10-009372	6-22-10	CT	DM	



1996169-1



1996169-2

- 1 CUSTOMER CAGE CODE AND PART NO.(SEE TABLE), 00779, DATE CODE, TE PART NO. AND AMP MARKED ON OPPOSITE SIDE.
- 2 HOUSING MAT'L: POLYPHENYLENE SULFIDE, GST-40F PER MIL-M-24519. COLOR: BROWN.
- 3 CONTACT MAT'L: BERYLLIUM COPPER PER ASTM B194 OR COPPER-NICKEL-SILICON PER UNS-C70260.
- 4 CONTACT FINISH: .000050" [0.00127] GOLD IN CONTACT AREA, .000100" [0.0025] TIN-LEAD ON SOLDER TAILS OVER .000030 [0.00076] NICKEL ON ENTIRE CONTACT.
- 5 LETTERS INDICATING OUTSIDE ROWS AND NUMBERS INDICATING END CAVITIES MARKED ON THIS SURFACE.
- 6. MEETS ALL REQUIREMENTS OF MIL-C-55302.
- 7 LINES INDICATING EVERY FIVE CAVITIES MARKED ON MATING FACE EXCEPT END CAVITIES STARTING AT POSN. #1.
- 8 EPOXY SEALANT ADDED TO PREVENT WICKING OF FLUX OR CONFORMAL COATING INTO THE CONTACT ENGAGEMENT AREA.
- 9 CONTACT REMOVED FROM POSITION A2, B2 & C2 FOR 1996169-1 ONLY. EMPTY CAVITIES ARE SEALED WITH EPOXY.
- 10 CONTACT REMOVED FROM POSITION A2, B2, C2, A3, B3, C3, A14, B14, C14, A15, B15 & C15 FOR 1996169-2 ONLY. EMPTY CAVITIES ARE SEALED WITH EPOXY.

REMARKS	CUSTOMER P/N	F	E	D	C	B	A	POSN	PART NO
10	04804-4A48273H04	6.900 [175.26]	69	7.024 [178.41]	7.125 [180.97]	7.450 [189.23]	7.750 [196.85]	198	1996169-2
9	04804-4A48273H03	6.900 [175.26]	69	7.024 [178.41]	7.125 [180.97]	7.450 [189.23]	7.750 [196.85]	207	1996169-1

THIS DRAWING IS A CONTROLLED DOCUMENT.

DIMENSIONS: INCHES [mm]	TOLERANCES UNLESS OTHERWISE SPECIFIED:	DIN C.C.THOMAS 2-6-08	APVD J.WEAVER 2-6-08	NAME J.WEAVER	PRODUCT SPEC
0. PLC ± -	1. PLC ± -	2. PLC ± -	3. PLC ± .005 [0.13]	4. PLC ± -	ANGLES ± -
MATERIAL -	FINISH -	WEIGHT -	SCALE 4:1	SHEET 1 OF 1	REV E

Customer Drawing: 1996169