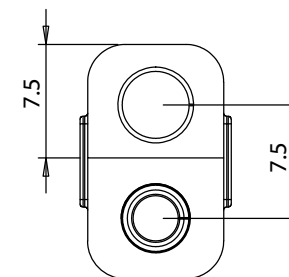
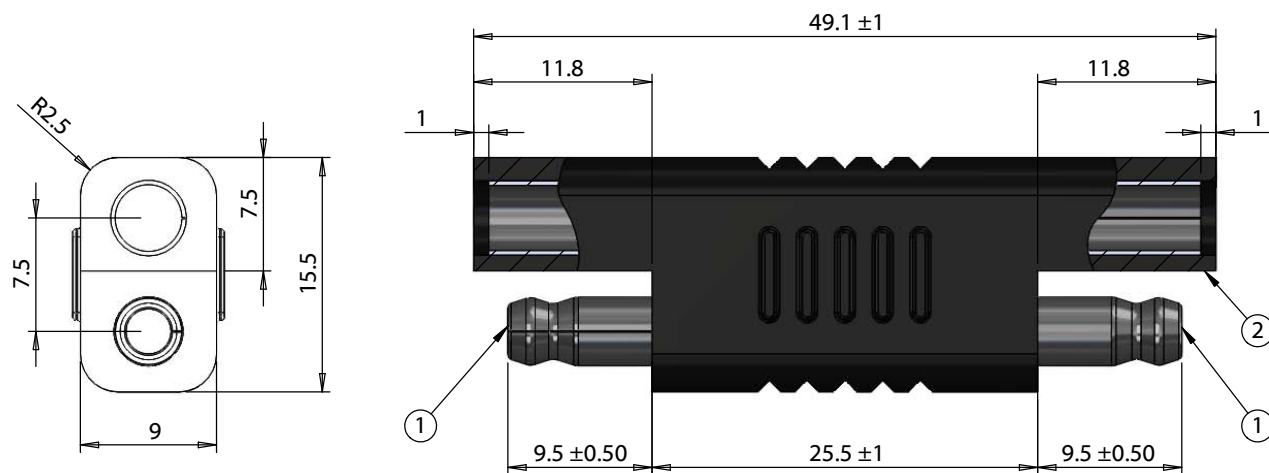
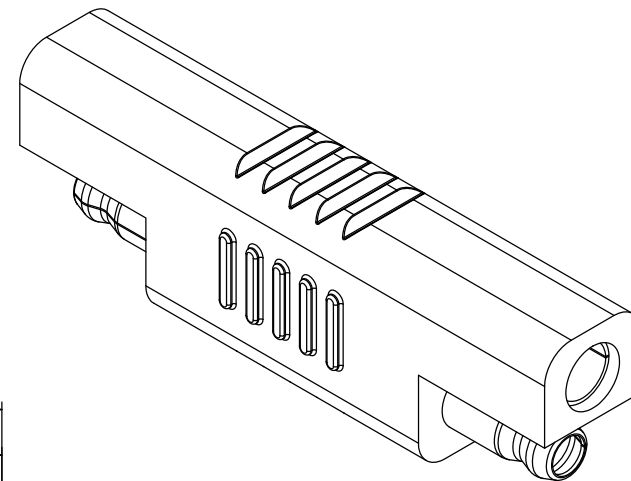



ITEM NO.	PART NUMBER	DESCRIPTION	Default/ QTY.	COMPONENT NOTES
1	50-00550	Connector, 4.75x10.2mm SAE, brass nickel plated, molding type	2	
2	24-00194	Overmold, SAE connector to SAE connector, 49 mm, polarity converter	1	black, 105° C



Wiring Diagram	
50-00550	50-00550
sleeve	sleeve
pin	pin

Notes:
Functionally equivalent components may be substituted

Revision:	Date:	Description:	Prepared:	Notes: RoHS and REACH compliant	<h1>TENSILITY</h1> <p>tel 1.541.323.3228 800 877.670.7118 fax 1.541.323.4202 web tensility.com</p>
A	1/6/2017	Initial release	Verified:		
			Dimensions are in millimeters. Tolerances: X: ± 0.5 mm X.X: ± 0.3 mm X.XX: ± 0.05 mm	Description: Adapter, SAE connector polarity converter, 50-00550 to 50-00550, 49 mm	Size: A
					Part number: 55-00058
					Scale: 2:1
					
					Sheet 1 of 1