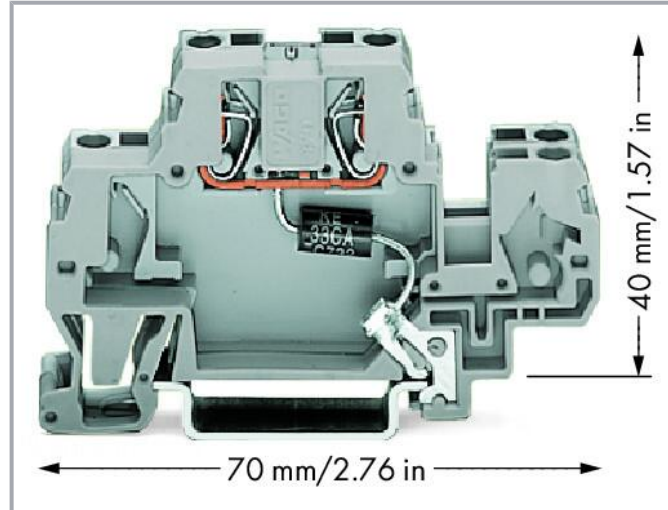
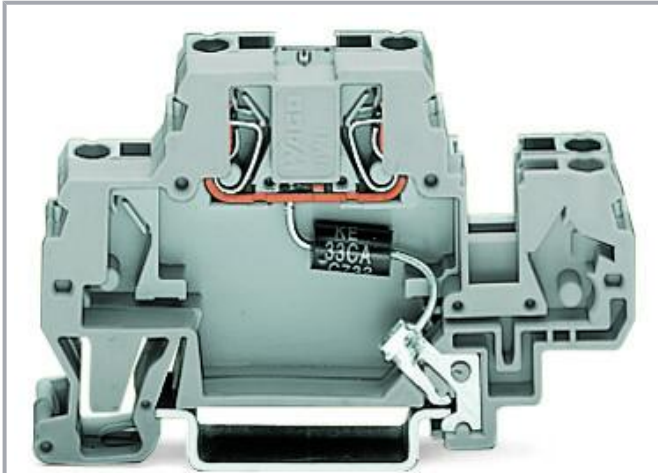


Data sheet | Item number: 870-523/281-594

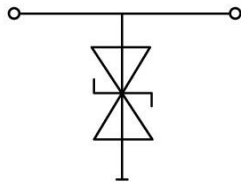
Component terminal block; double-deck; with suppressor diode; AC 115 V;
for DIN-rail 35 x 15 and 35 x 7.5; 2.5 mm²; CAGE CLAMP®; 2,50 mm²; gray

www.wago.com/870-523/281-594



i Picture differs from the item.

Color: —



Data

Electrical data

Nominal operating voltage	AC 115 V
Highest continuous voltage	AC 133 V
Rated continuous current	20 A
Nominal discharge current (8/20 μs) (line)	26 A
Protection level (8/20 μs)	≤ AC 388 V
Capacitance	≤ 630 pF

Subject to changes. Please also observe the further product documentation!

WAGO GmbH & Co. KG
Hansastr. 27
32423 Minden
Phone: +49571 887-0 | Fax: +49571 887-169
Email: info.de@wago.com | Web: www.wago.com

Do you have any questions about our products?
We are always happy to take your call at +49 (571) 887-44222.



Connection data

Connections (number)	2
Connection technology	CAGE CLAMP®
Solid conductor	0.08 ... 2.5 mm ² / 28 ... 14 AWG
Fine-stranded conductor	0.08 ... 4 mm ² / 28 ... 12 AWG
Fine-stranded conductor; with insulated ferrule	0.08 ... 1.5 mm ² / 28 ... 14 AWG
Strip length	6 ... 7 mm / 0.24 ... 0.28 inches

Physical data

Width	10 mm / 0.394 inches
Height from upper-edge of DIN-rail	40 mm / 1.575 inches
Depth	70 mm / 2.756 inches

Mechanical Data

Mounting type	DIN-35 rail
---------------	-------------

Material Data

Color	gray
Insulation material	Polyamide (PA66)
Material group	I
Flammability class per UL94	V0
Fire load	0.271 MJ
Weight	11.7 g

Environmental requirements

Processing temperature	-35 ... +85 °C
------------------------	----------------

Commercial data

Product Group	16 (Rail Mounted Terminal Blocks with CCC)
eCl@ss 10.0	27-14-11-27
eCl@ss 9.0	27-14-11-27
ETIM 8.0	EC000903
ETIM 7.0	EC000903
PU (SPU)	25 pcs
Packaging type	box

Subject to changes. Please also observe the further product documentation!



Country of origin	DE
GTIN	4045454516093
Customs tariff number	85369010000

Environmental Product Compliance

RoHS Compliance Status	Compliant,With Exemption
RoHS Exemption	7(a) 7(c)-I 7(c)-II
SCIP notification number (Bulgaria)	f750029a-ceb7-400d-a58a-134c1aaa3027
SCIP notification number (Czech Republic)	01d8a73d-74a2-437c-8c42-db272a22302c

Optional accessories



Marking accessories

Marker	
	<p>Item no.: 2009-145 Mini-WSB Inline; for Smart Printer; 1700 pieces on roll; stretchable 5 - 5.2 mm; plain; snap-on type; white</p> <p>www.wago.com/2009-145</p>
	<p>Item no.: 248-501 Mini-WSB marking card; as card; not stretchable; plain; snap-on type; white</p> <p>www.wago.com/248-501</p>



Jumpers

Jumper	
	<p>Item no.: 280-492 Jumper; 2-way; insulated; gray</p> <p>www.wago.com/280-492</p>

End plate

End plate	
	<p>Item no.: 870-518 End and intermediate plate; 2 mm thick; gray</p> <p>www.wago.com/870-518</p>
	<p>Item no.: 870-519 End and intermediate plate; 2 mm thick; orange</p> <p>www.wago.com/870-519</p>

Insulation stop

Insulation stop	
	<p>Item no.: 280-472 Insulation stop; 0.75 - 1 mm²; 5 pieces/strip; black</p> <p>www.wago.com/280-472</p>
	<p>Item no.: 280-470 Insulation stop; 0.08 - 0.2 mm² "s" (0.14 mm² "f-st"); 5 pieces/strip; white</p> <p>www.wago.com/280-470</p>

Subject to changes. Please also observe the further product documentation!



Item no.: 280-471
Insulation stop; 0.25 - 0.5 mm²; 5 pieces/strip; light gray

Tool

Operating tool



Item no.: 210-720
Operating tool; Blade: 3.5 x 0.5 mm; with a partially insulated shaft; multicoloured

Downloads

Documentation

Bid Text

870-523/281-594 X81 - Datei	2019 Feb 19	xml 3.4 kB	Download
870-523/281-594 doc - Datei	2015 Feb 11	doc 26.1 kB	Download

Additional Information

Disposal and Recycling Electrical and electronic equipment, Batteries, Packaging	V 1.1.0 2022 Aug 18	pdf 2.2 MB	Download
---	------------------------	---------------	----------

CAD/CAE-Data

CAD data

2D/3D Models 870-523/281-594	URL	Download
------------------------------	-----	----------

CAE data

EPLAN Data Portal 870-523/281-594	URL	Download
WSCAD Universe 870-523/281-594	URL	Download
ZUKEN Portal 870-523/281-594	URL	Download
WSCAD Universe 870-523/281-594	URL	Download
EPLAN Data Portal 870-523/281-594	URL	Download

Subject to changes. Please also observe the further product documentation!



Environmental Product Compliance

Compliance Search

Environmental Product Compliance 870-523/281-594

URL

Download

Component terminal block; double-deck; with suppressor diode; AC 115 V; for DIN-rail 35 x 15 and 35 x 7.5; 2.5 mm²; CAGE CLAMP®; 2,50 mm²; gray

Installation Notes

Subject to changes. Please also observe the further product documentation!

WAGO GmbH & Co. KG

Hansastr. 27

32423 Minden

Phone: +49571 887-0 | Fax: +49571 887-169

Email: info.de@wago.com | Web: www.wago.com

Do you have any questions about our products?

We are always happy to take your call at +49 (571) 887-44222.