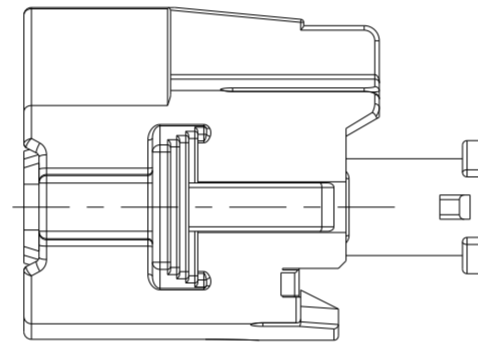
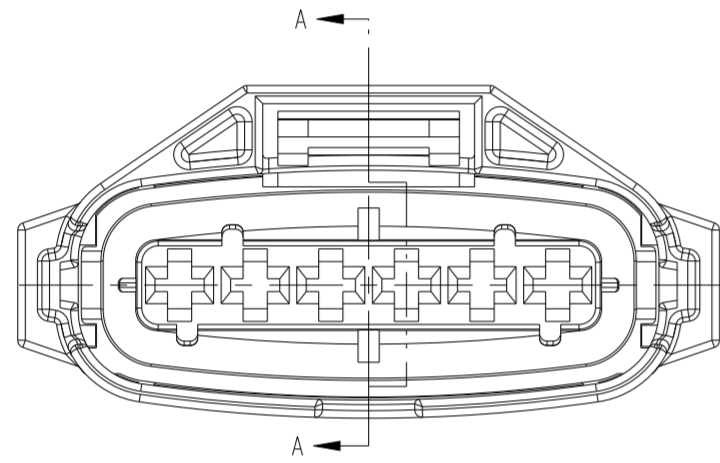
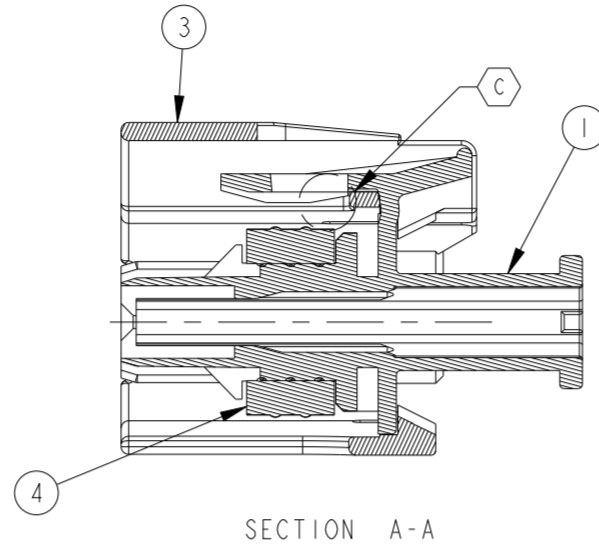
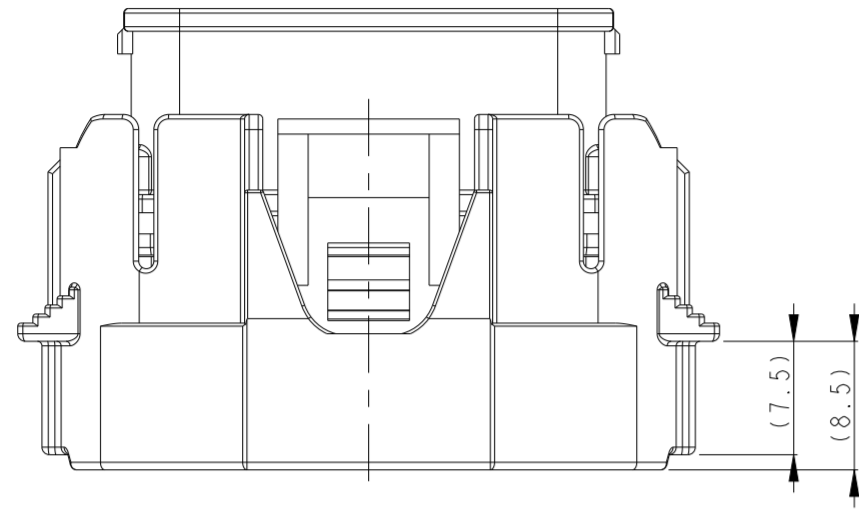
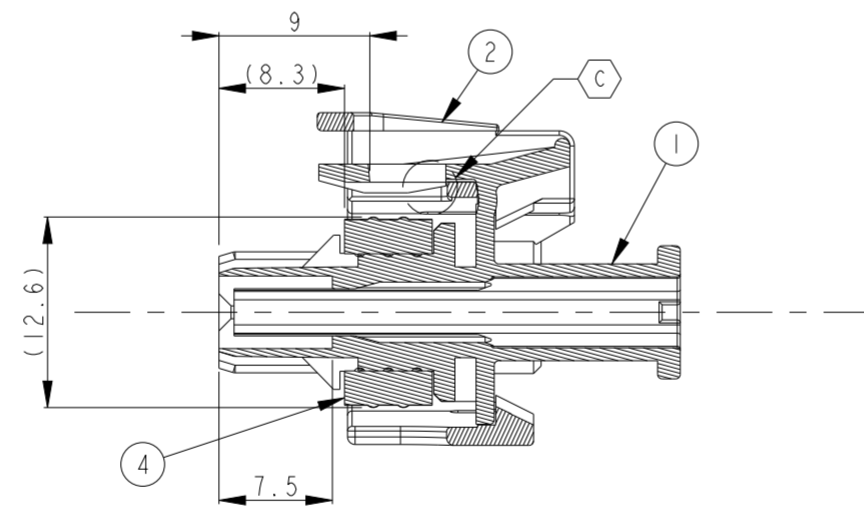
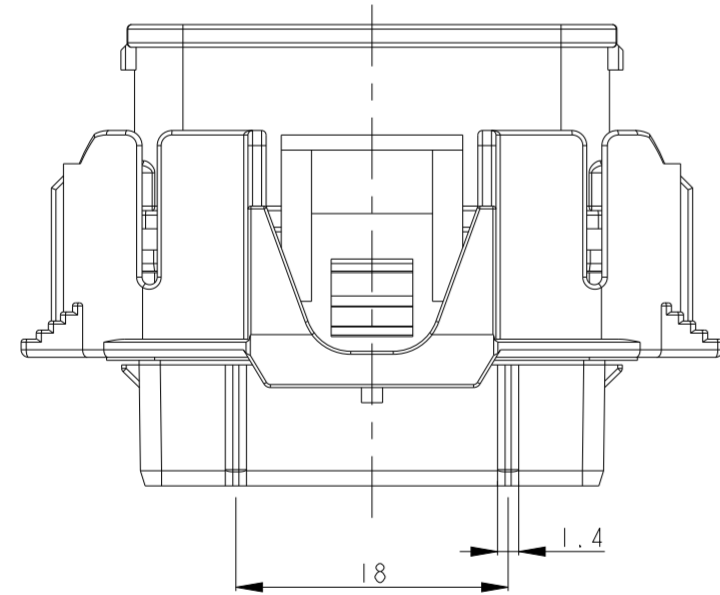


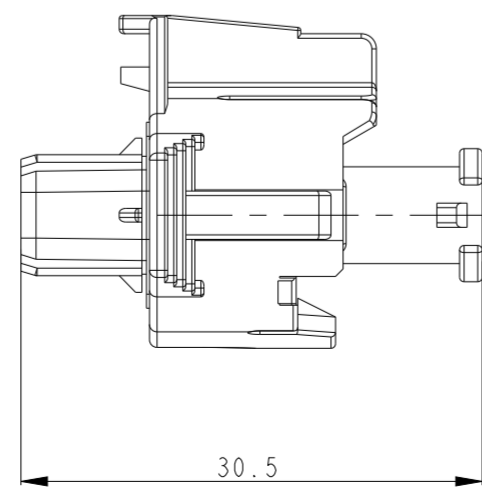
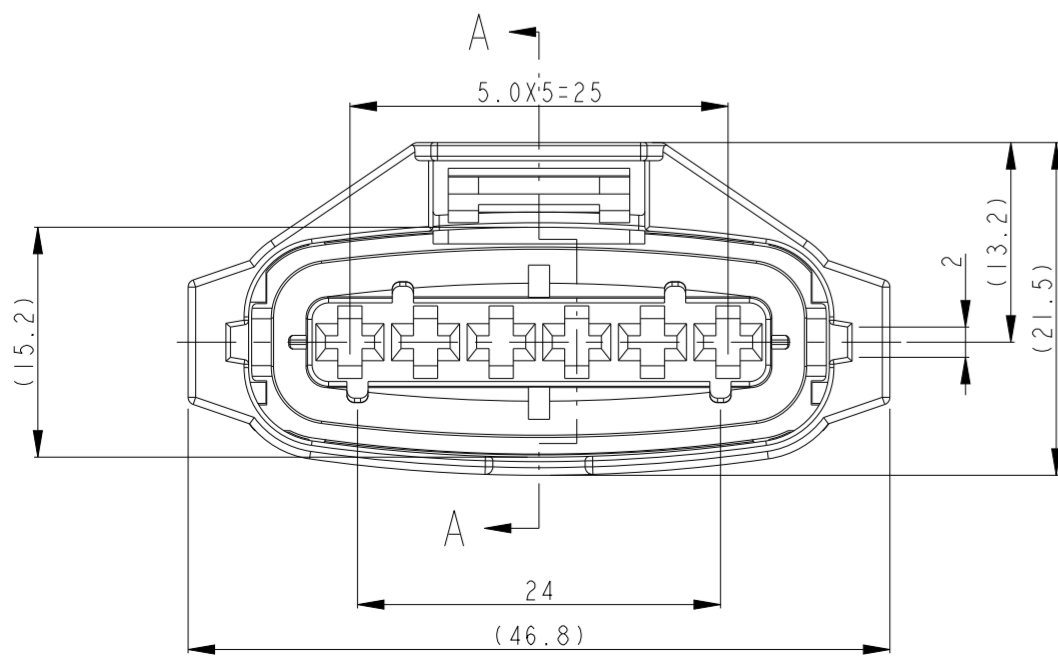
1-936394-3



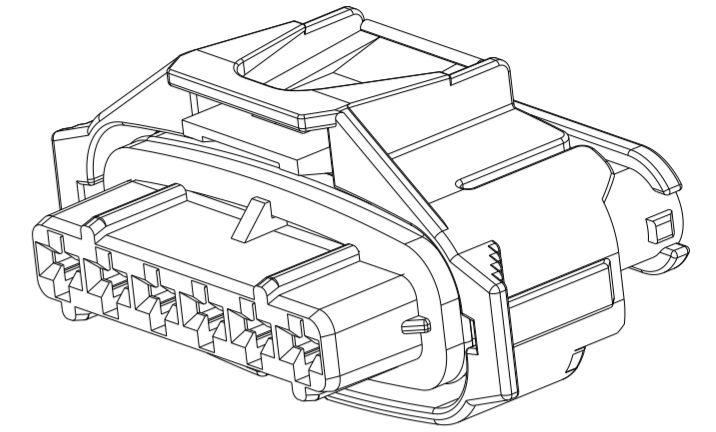
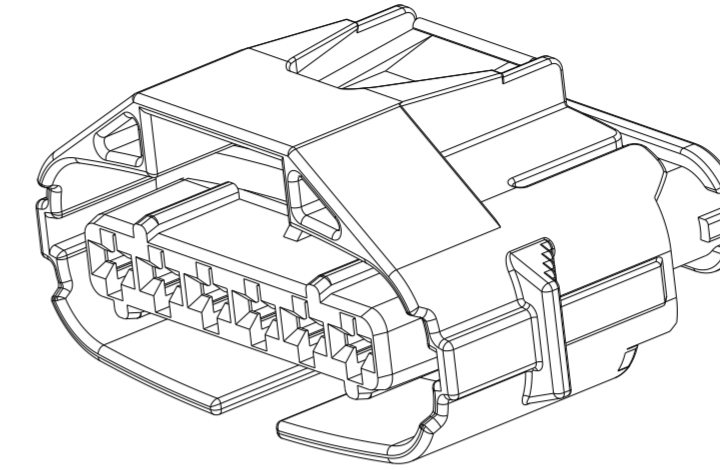
0-936394-2



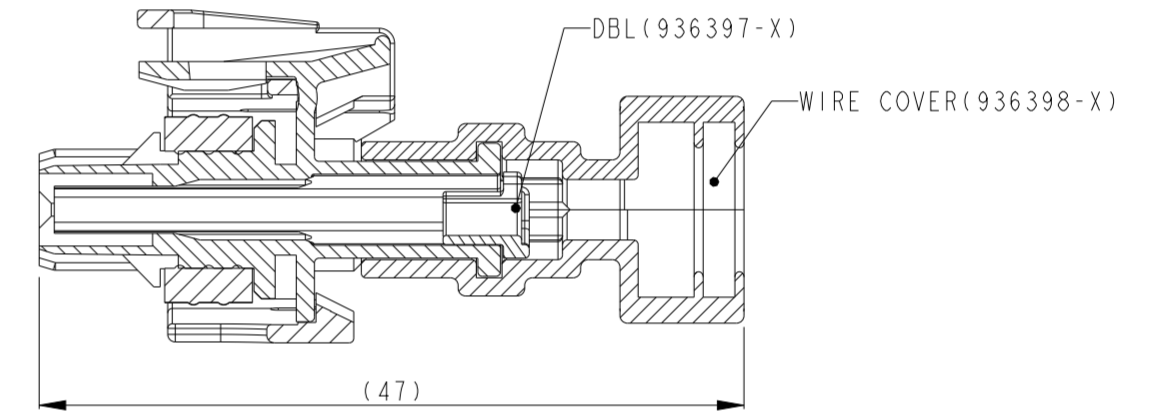
SECTION A-A  
SCALE 2:1



REVISIONS					
P	LTR	DESCRIPTION	DATE	DWN	APVD
B1		REVISED(ECR-15-008999)	06JUL2015	SJ	HG
B2		REVISED(ECR-20-011402)	02SEP2020	CI	YJ
B3		REVISED(ECR-20-014410)	01DEC2020	CI	YJ
C		REVISED(ECR-21-103133)	17SEP2021	EW	YD.



[ISO VIEW]



SECTION A-A

⊕ [WIRE COVER, DBL ASSY VIEW]  
X-936394-X COMMON

- NOTE
1. GENERAL TOLERANCE :  $\pm 0.3$ ,  $\pm 3^\circ$
  2. 0.15 MAX. WARPAGE AND 0.2 MAX. FLASH PERMISSIBLE
  3. SURFACE DEFECTS ARE NOT ACCEPTABLE AS FOLLOW:  
SINK, WELD LINES, HAIRCRACKS, SATIN & SCORES
  4. APPLIED RECEPTACLE CONTACT P/N:

DESCRIPTION	2.8mm SENSOR-FLAT RECEPTACLE
PART NO.	967542      967543
WIRE SIZE (mm2)	0.5-1.0      1.25-2.5

5. APPLIED WIRE SEAL P/N:

DESCRIPTION	SINGLE-WIRE SEAL (5mm HOLE)
PART NO.	828904      828905
WIRE SIZE (∅)	1.2-2.1mm      2.2-3.0mm

NO.	P/N	DESCRIPTION	COLOR	MATERIAL	QTY
4	936855-1	INNER SEAL	RED ORANGE	SILICONE (LSR)	1
3	1-936396-3	PROTECTOR HSG	GRAY	PA66-GF15	1
2	936396-2	PROTECTOR HSG	BLACK	PA66-GF15	1
1	936395-2	PLUG HSG	BLACK	PA66-GF15	1

P/N	DESCRIPTION
1-936394-3	2.8mm SEALED 6P PLUG ASSEMBLY
0-936394-2	2.8mm SEALED 6P PLUG ASSEMBLY

THIS DRAWING IS A CONTROLLED DOCUMENT.

DWN: S.J. CHOI  
 CHK: J.W. JUNG  
 APVD: H.G. CHO  
 PRODUCT SPEC



NAME: 2.8mm SEALED 6P PLUG ASSEMBLY

DIMENSIONS: mm  
 TOLERANCES UNLESS OTHERWISE SPECIFIED:  
 0 PLC ±  
 1 PLC ±  
 2 PLC ±  
 3 PLC ±  
 4 PLC ±  
 ANGLES ±  
 FINISH

APPLICATION SPEC  
 WEIGHT

SIZE	CAGE CODE	DRAWING NO	RESTRICTED TO
A2	00779	C-936394	-

MATERIAL: SEE TABLE

CUSTOMER DRAWING

SCALE: 2:1 SHEET 1 OF 1 REV C