

Product Phase-out Notice

This statement is to announce the phase-out of Advantech's Remote IO module, ADAM-6024-A1E. A last-buy period of 2 months is provided to make sure necessary stock is reserved.

Last-buy Period

Jul.3, 2020 ~ Sep.15,2020

Suggested Replacement

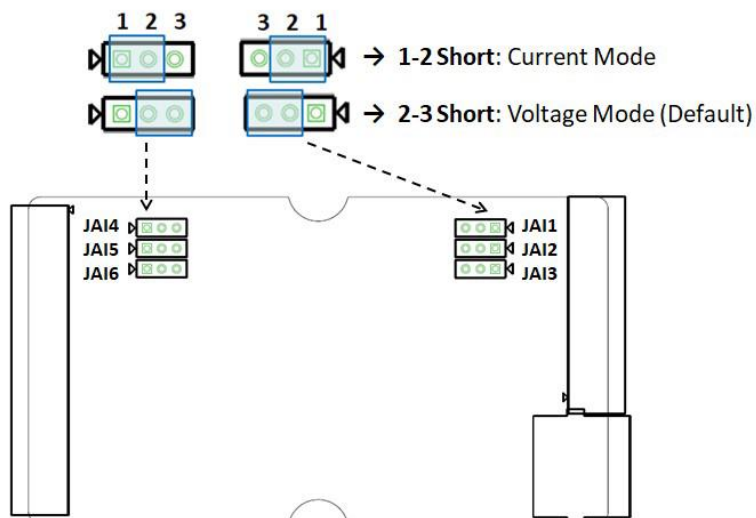
ADAM-6024-D

Comparison Table

ADAM-6024-D is designed to be compatible with ADAM-6024-A1E in pin assignment and functions. Furthermore, some specifications are enhanced and new features are added. The main enhancements are listed in the following comparison table

	ADAM-6024-A1E	ADAM-6024-D
Operation Temperature	-10 ~ 70°C	-40 ~ 70°C
Storage Temperature	-20 ~ 80°C	-40 ~ 80°C
Current/Voltage input range switch of Analog Input	Jumper setting (open the case the set up)	Jumper setting (open the case the set up, please refer below picture)
RTC(Real-Time Clock)	N/A	UTC (ISO 8601 format)

Jump Settings



Channel	Jumper	Current Mode	Voltage Mode (Default)
AI0	JAI1	1-2 Short	2-3 Short
AI1	JAI2	1-2 Short	2-3 Short
AI2	JAI3	1-2 Short	2-3 Short
AI3	JAI4	1-2 Short	2-3 Short
AI4	JAI5	1-2 Short	2-3 Short
AI5	JAI6	1-2 Short	2-3 Short

Adam/Apax .NET Utility version

The new functions of ADAM-6024-D can be used with Adam/Apax .NET Utility v2.05.12 or later version

Product Division of iSensing Devices
Advantech IIoT Solution Group
