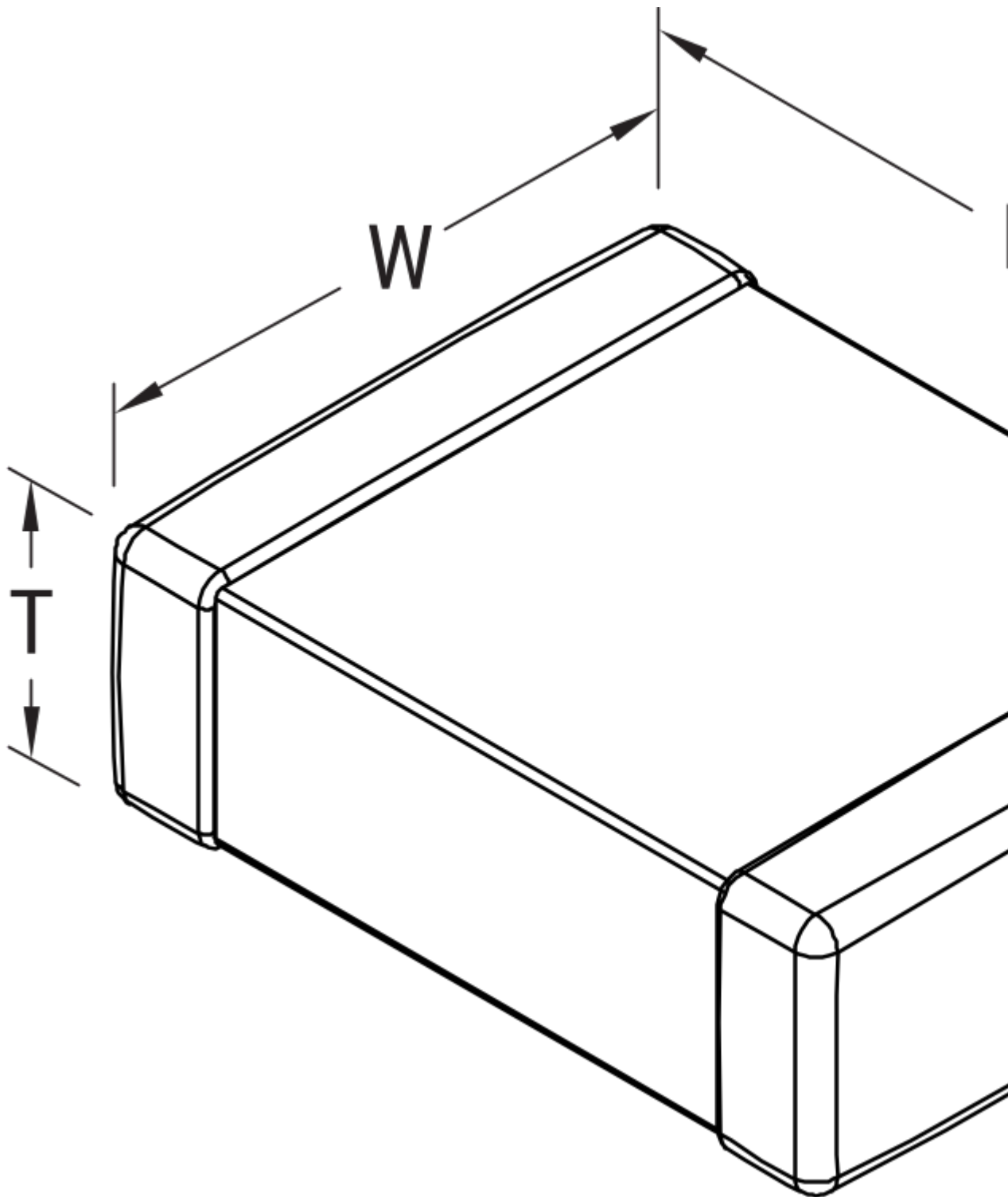


C1206Q102F1GAL7189

GR900 SMD Space, Ceramic, 1000 pF, 1%, 100 VDC, BP, N/A, 1206



Click [here](#) for the 3D model.

Dimensions

Chip Size 1206

L	3.07mm +/-0.38mm (0.121 in +/-0.015 in)
W	1.52mm +/-0.38mm (0.06 in +/-0.015 in)
T	1.6mm MAX (0.063 in MAX)
B	0.51mm +/-0.25mm (0.02 in +/-0.01 in)

Packaging Specifications

Packaging T&R, Plastic Tape

General Information

Series	GR900 SMD Space
Style	SMD Chip
RoHS	No
Prop 65	WARNING: Cancer and reproductive harm - http://www.p65warnings.ca.gov .
SCIP Number	1ad5a336-6d42-4be4-8c77-6a49b97cd931
Termination	Lead (SnPb)
Failure Rate	N/A
Testing and Reliability	Mil-PRF-123 Group A
Qualifications	MIL-PRF-123 Group A
AEC-Q200	No
Shelf Life	78 Weeks
MSL	1

Specifications

Capacitance	1000 pF
Capacitance Tolerance	1%
Voltage DC	100 VDC
Temperature Range	-55/+125°C
Temperature Coefficient	BP

Statements of suitability for certain applications are based on our knowledge of typical operating conditions for such applications, but are not intended to constitute - and we specifically disclaim - any warranty concerning suitability for a specific customer application or use. This Information is intended for use only by customers who have the requisite experience and capability to determine the correct products for their application. Any technical advice inferred from this Information or otherwise provided by us with reference to the use of our products is given gratis, and we assume no obligation or liability for the advice given or results obtained.

Generated 5/18/2023 - 3a360a5b-022c-4653-a97f-c79c4f358611

© 2006 - 2023 KEMET

Generated 5/18/2023 - 3a360a5b-022c-4653-a97f-c79c4f358611

© 2006 - 2023 KEMET