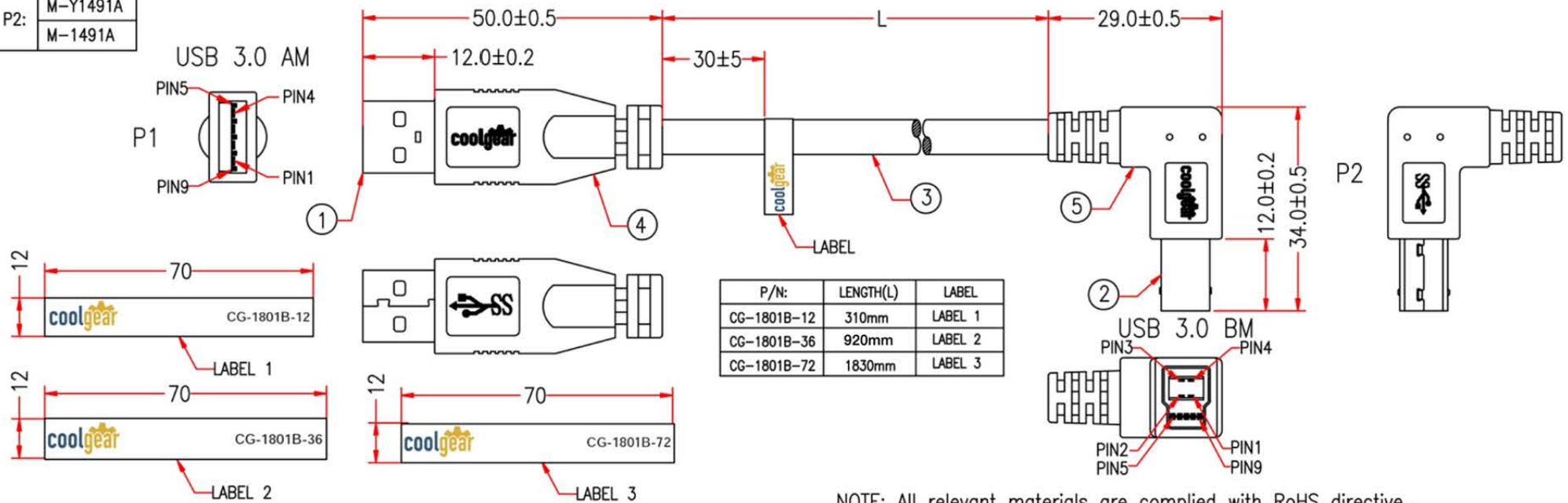


P1: M-780A  
 P2: M-Y1491A  
 M-1491A

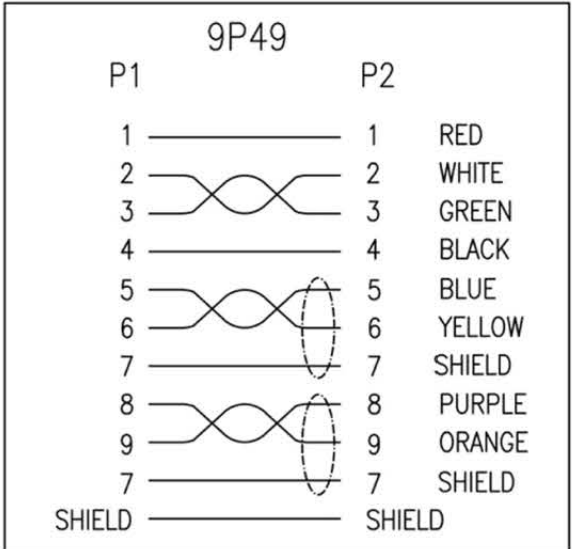
Customer No.: No. 4



P/N:	LENGTH(L)	LABEL
CG-1801B-12	310mm	LABEL 1
CG-1801B-36	920mm	LABEL 2
CG-1801B-72	1830mm	LABEL 3

**CABLE MARKING:**

E300060 兪 AWM 2725 80°C 30V VW-1 CSA 204790 AWM  
 I/II A/B 80°C 30V FT1 MSL USB3.0 www.coolgear.com



NOTE: All relevant materials are complied with RoHS directive .

5	BLACK HEAT SHRINK TUBE $\phi 1.0 \times 4\text{mm}$ & $\phi 1.0 \times 10\text{mm}$	A4HA23-0959	1	M959
	BLACK HEAT SHRINK TUBE $\phi 2.0 \times 8\text{mm}$	A4HA10-0959	2	M959
	MOLDED PE COLOR TRANSPARENT	A5BA14-0325		M325
	MOLDED PVC BLACK	H1BF01-0304U28		M304
4	BLACK HEAT SHRINK TUBE $\phi 1.0 \times 4\text{mm}$	A4HA23-0959	1	M959
	BLACK HEAT SHRINK TUBE $\phi 2.0 \times 8\text{mm}$	A4HA10-0959	2	M959
3	MOLDED PVC BLACK	H1BF01-0304K09		M304
	USB 3.0 CABLE, 28AWG*1PAIR+(28AWG*1PAIR+D+F-AL)*2PCS+24AWG*2C+COPPER BRAID(65%), OD 5.8mm, JACKET BLACK, DRAWING NO. EUAB2801P2802P2402C-1026	H5KS29-0304K09	L+70mm	M304
2	USB B MALE 3.0, GOLD PLATING 30u" ON CONTACTS BLUE INSULATOR, SHORT SOLDER ONE PIECE TYPE(P/N:ZT-3UBBM010-100)	A1HB53-0846	1	M846
1	USB A MALE 3.0, GOLD PLATING 30u" ON CONTACTS BLUE INSULATOR, SHORT FOUR PIECES TYPE	A1HA97-0454	1SET	M454
No.	DESCRIPTION		Q'TY	Supplier

APPROVED			Cable Length Unless Other Spec. Tolerances: 0 ~200mm $\pm 10\text{mm}$ 201~1000mm $\pm 20\text{mm}$ 1001 ~1500mm $\pm 25\text{mm}$ 1501~2100mm $\pm 30\text{mm}$ 2100mm $\uparrow$ $\pm 40\text{mm}$
CHECKED	HU		
DRAWING	JIANG		
DATE	18/DEC/19		
ITEM NO.	CG-1801B-xx	UNIT:mm	

CHECKED