

CGA5L2X7R2A474M160AE

TDK Item Description : CGA5L2X7R2A474MT***S



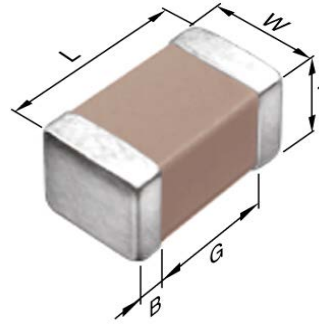
Equivalent C3216X7R2A474M for Automotive

Application & Main Feature

Automotive Grade (Soft Termination)

Series

CGA5(3216) [EIA CC1206]



Dimensions

L	3.20mm +0.4,-0.2mm
W	1.60mm +0.3,-0.2mm
T	1.60mm +0.3,-0.2mm
B	0.20mm Min.
G	1.00mm Min.

Temperature Characteristic

X7R (-55 to 125 degC +/-15%)

Rated Voltage

2A (100Vdc)

Capacitance

470nF

Capacitance Tolerance

M (+/-20%)

Dissipation Factor

3% Max.

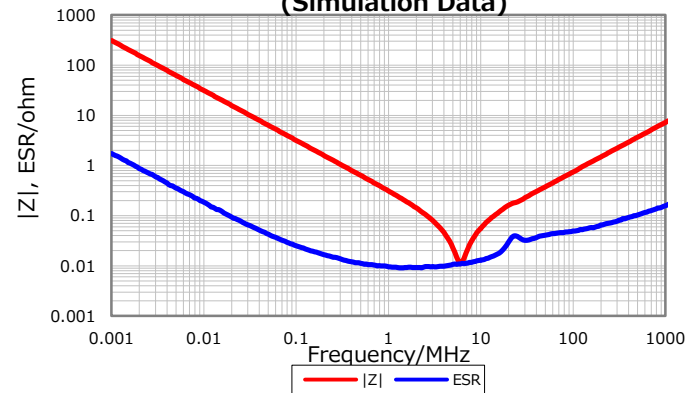
Insulation Resistance

1.063Gohm Min

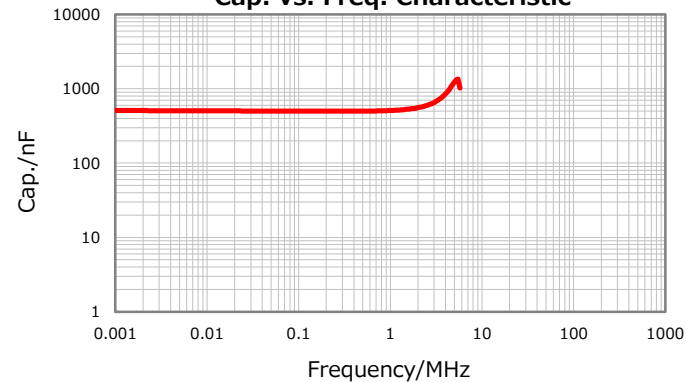
AEC-Q200

Yes

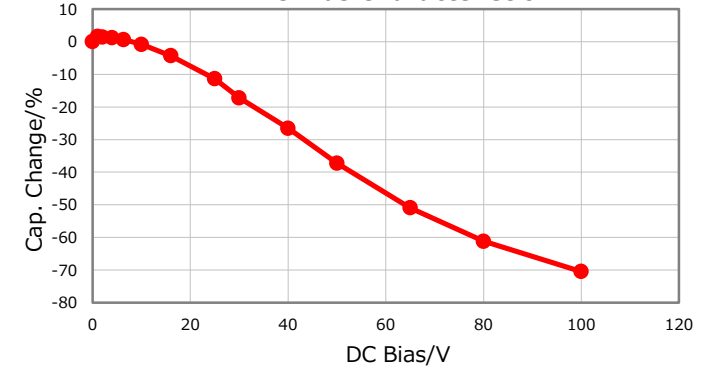
**|Z|, ESR vs. Freq. Characteristics
(Simulation Data)**



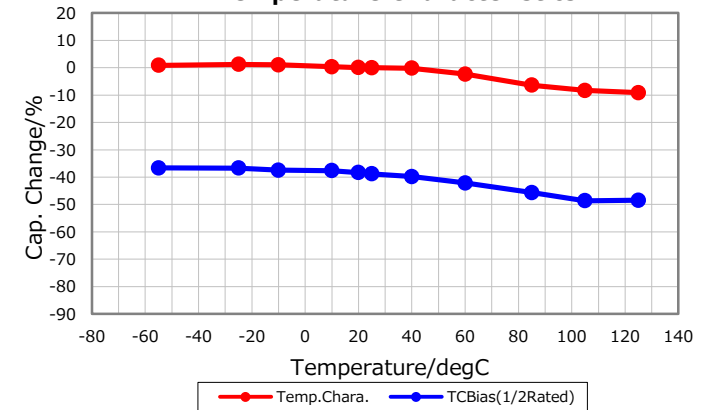
Cap. vs. Freq. Characteristic



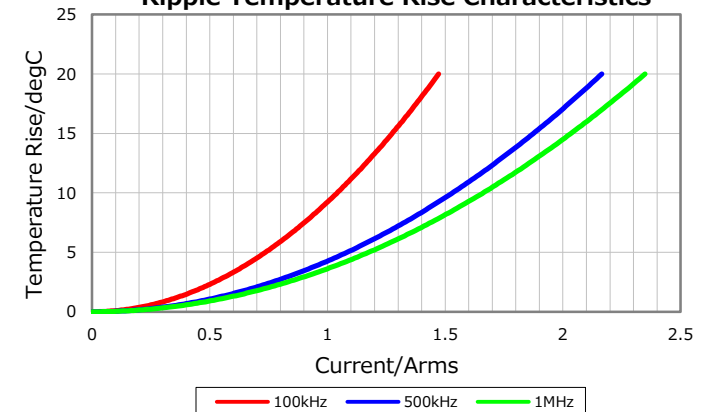
DC Bias Characteristic



Temperature Characteristics



Ripple Temperature Rise Characteristics



Characterization Sheet (Multilayer Ceramic Chip Capacitors)



All specifications are subject to change without notice.

March 17, 2017