

REV.	DATE	DESCRIPTION
01	Sep. 13, '18	1st RELEASE

NOTES:

1. MATERIAL:

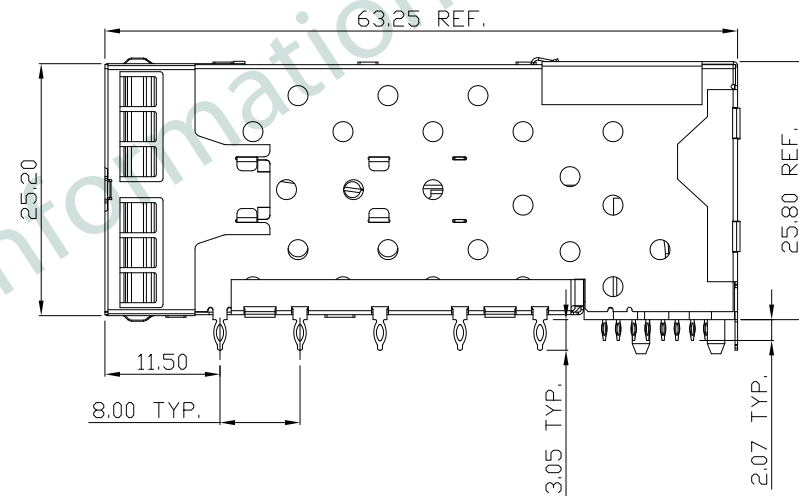
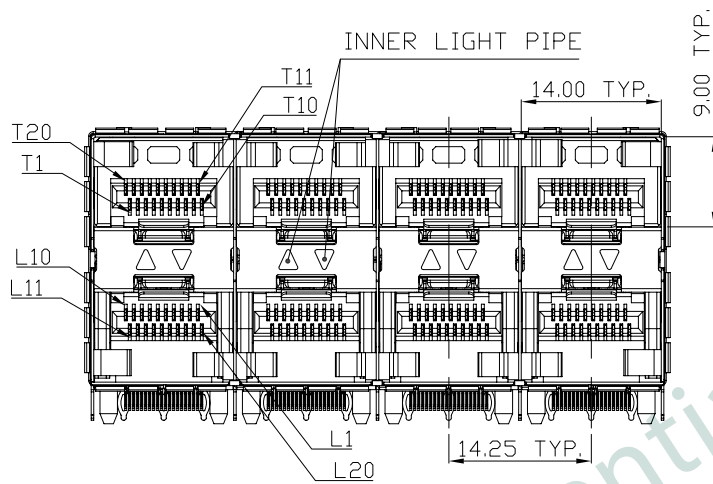
CAGE: T=0.25mm COPPER ALLOY
CONNECTOR HOUSING: GLASS FILLED THERMOPLASTIC, UL94V-0, COLOR-BLACK

TERMINALS: PHOSPHOR BRONZE
LIGHT PIPE: POLYCARBONATE, CLEAR, UL94V-0
LIGHT PIPE HOUSING: PA46, COLOR-BLACK, UL94V-0

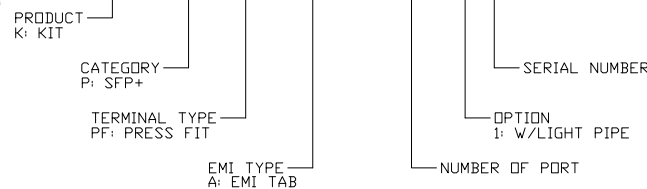
2. FINISH:

TERMINALS CONTACT AREA: GOLD PLATING
SOLDER TERMINAL AREA: TIN PLATING

3. UNSPECIFIED TOLERANCE: .XXX ±0.10
.XX ±0.25



KSFP-K-PPFA-2411



PART NO		KSFP-K-PPFA-2411		
TITLE	SFP+ 2X4 CAGE + CONNECTOR, EMI TAB, W/INNER LIGHT PIPE, PRESS FIT TYPE			
REV : 01				
UNIT	DRAWN	CHKD	DATE	SHEET
mm[inch]	CINDY	VINCENT	Sep. 13, '18	1 of 4

DWG NO KSFP-K-PPFA-2411

KinnexA, INC. 8F, No. 172, CHENG TEH ROAD SEC. 4, TAIPEI 11167, TAIWAN

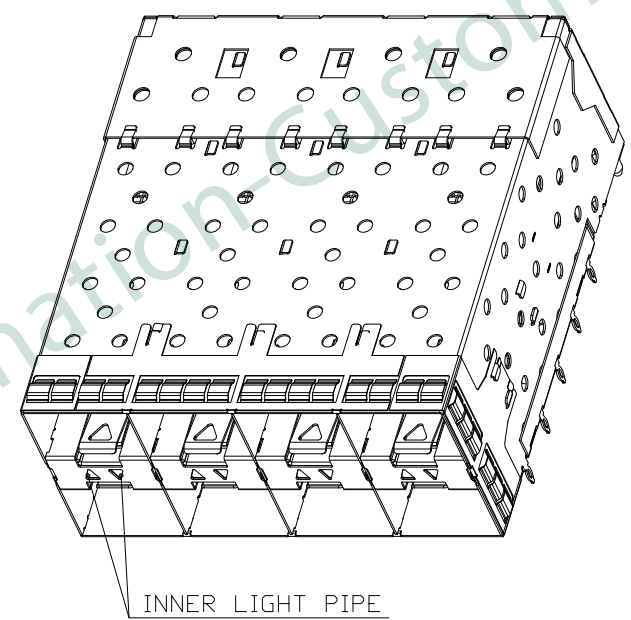
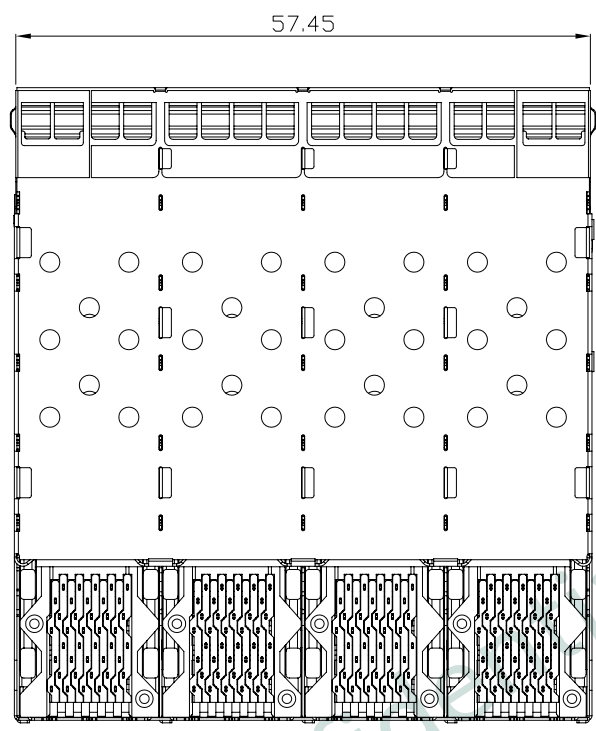
Connected by **KinnexA**

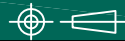
PRELIMINARY RELEASE SUBJECT TO CHANGE

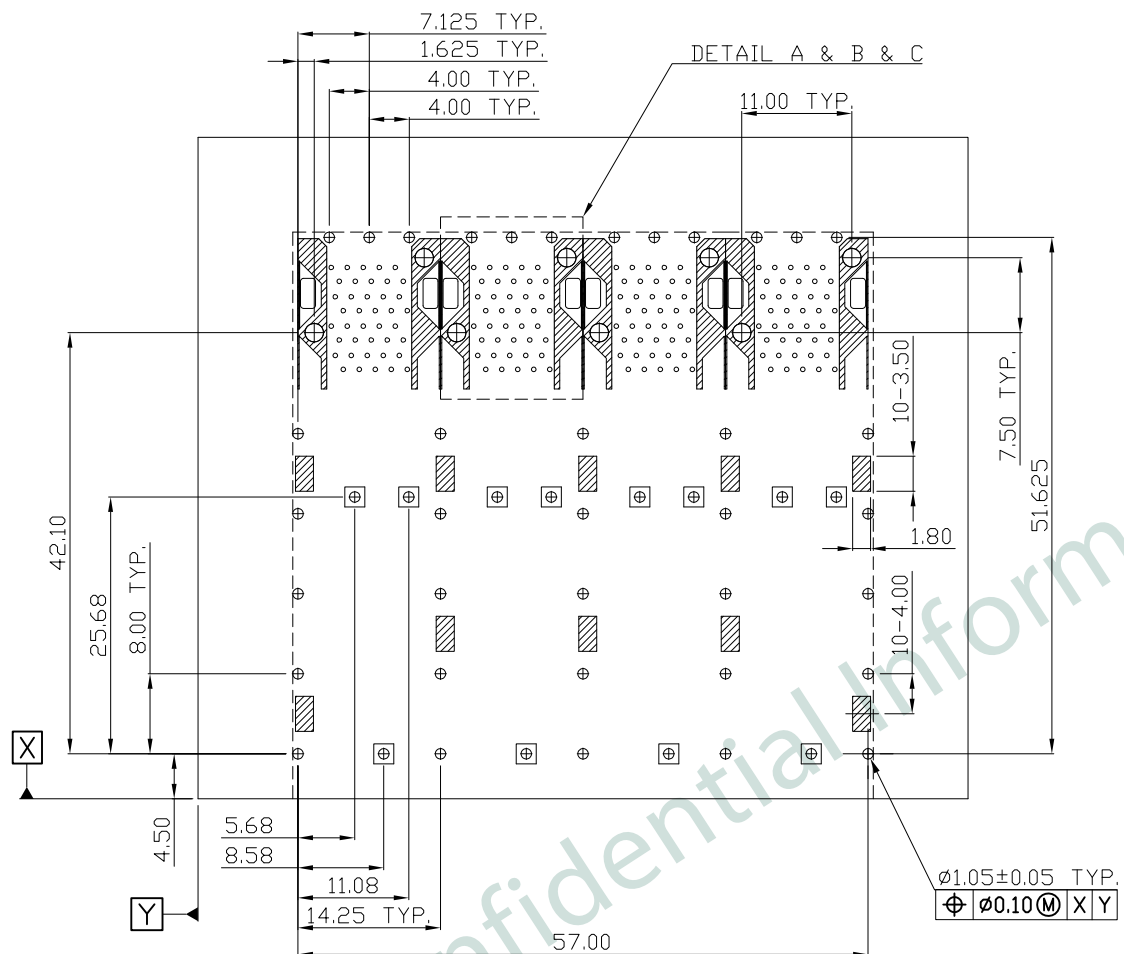
※ THIS DRAWING IS A CONTROLLED DOCUMENT ※

ROHS Compliant

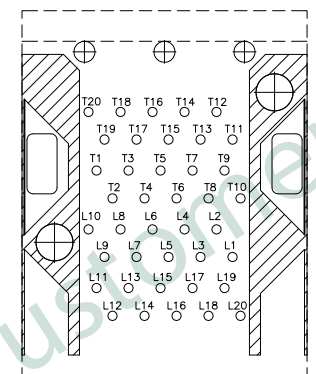
1 2 3 4 5 6 7 8
 A
 B
 C
 D
 E
 F



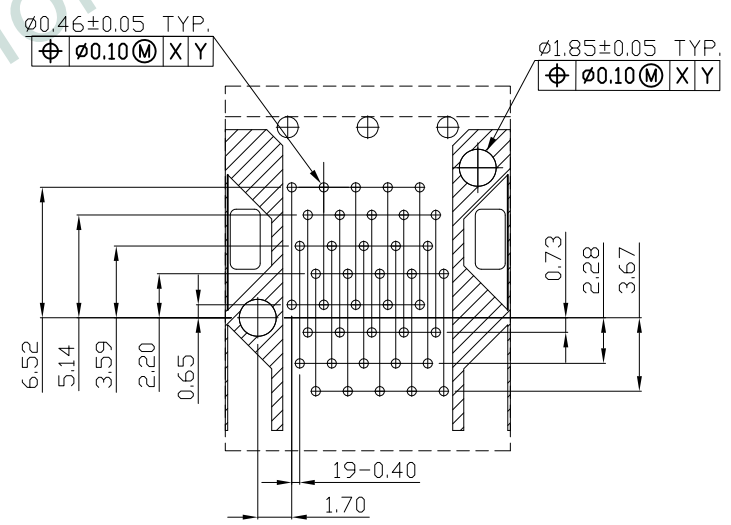
 PART NO		KSFP-K-PPFA-2411		
TITLE	SFP+ 2X4 CAGE + CONNECTOR, EMI TAB, W/INNER LIGHT PIPE, PRESS FIT TYPE			
REV : 01				
UNIT	DRAWN	CHKD	DATE	SHEET
mm[inch]	CINDY	VINCENT	Sep. 13, '18	2 of 4



RECOMMENDED PCB LAYOUT AND PCB TOLERANCE ±0.05



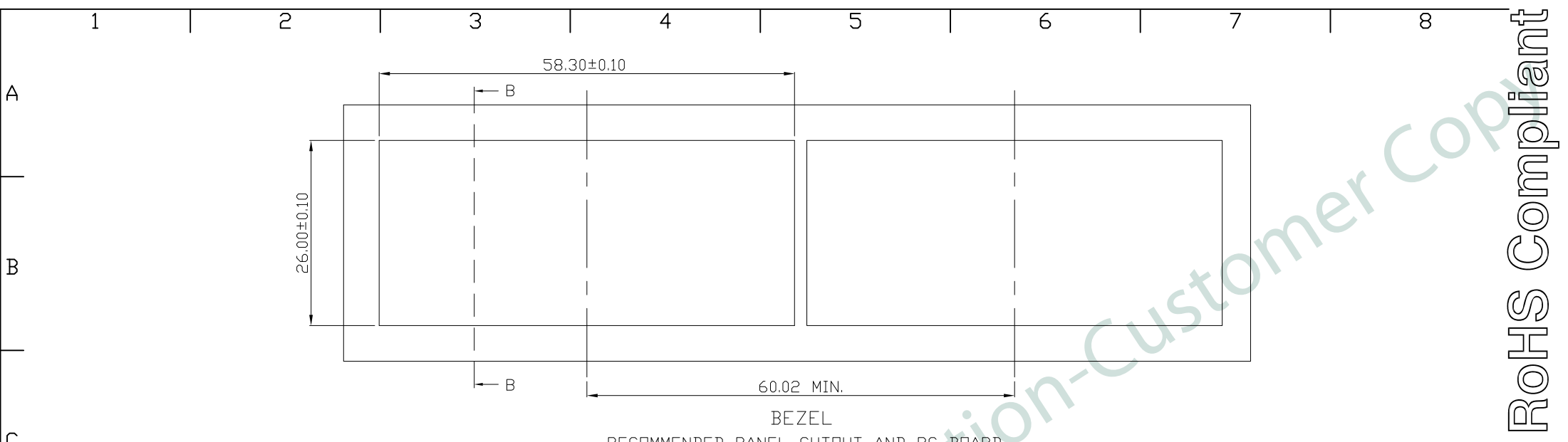
DETAIL A SCALE 2:1



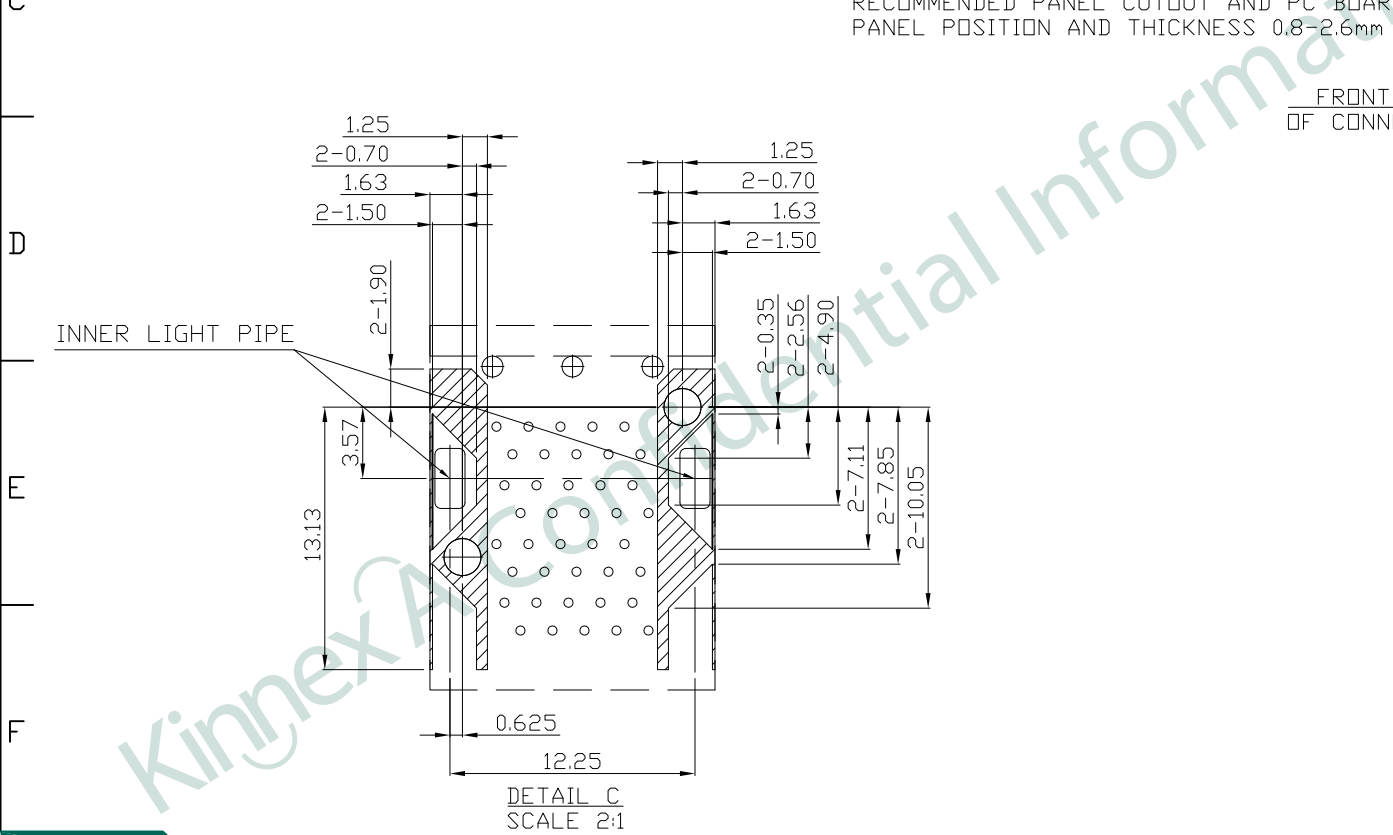
DETAIL B SCALE 2:1

NOTES:
1. RECOMMENDED PCB THICKNESS: 2.36mm
(MINIMUM PCB THICKNESS: 1.57mm)

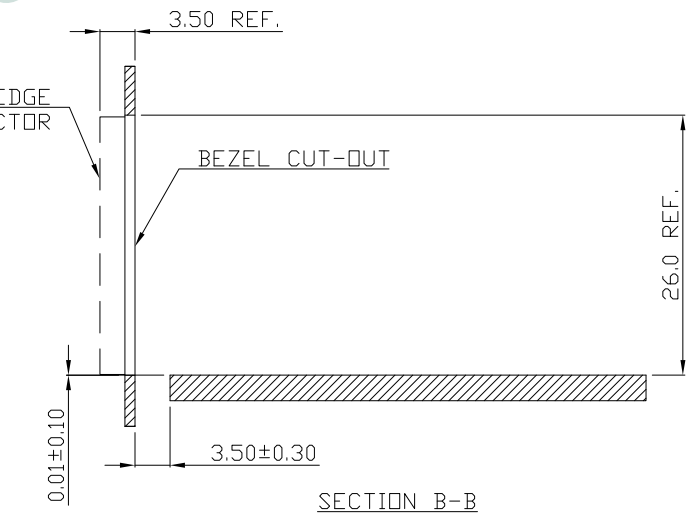
PART NO		KSFP-K-PPFA-2411		
TITLE	SFP+ 2X4 CAGE + CONNECTOR, EMI TAB, W/INNER LIGHT PIPE, PRESS FIT TYPE			
REV : 01				
UNIT	DRAWN	CHKD	DATE	SHEET
mm[inch]	CINDY	VINCENT	Sep. 13, '18	3 of 4



BEZEL
 RECOMMENDED PANEL CUTOUT AND PC BOARD
 PANEL POSITION AND THICKNESS 0.8-2.6mm



DETAIL C
 SCALE 2:1



SECTION B-B
 BEZEL OPENING ABOVE
 TOP OF PCB BOARD

PART NO KSFP-K-PPFA-2411				
TITLE	SFP+ 2X4 CAGE + CONNECTOR, EMI TAB, W/INNER LIGHT PIPE, PRESS FIT TYPE			
REV : 01				
UNIT	DRAWN	CHKD	DATE	SHEET
mm[inch]	CINDY	VINCENT	Sep. 13, '18	4 of 4